

ZONE  
2

ZONE  
22

# ECLIPSE II LED



The **Eclipse II** LED has been designed to make installation quick and simple. The lamp and gear chambers are separated for easy maintenance and require no special cable glands.

The luminaire also features a swing barrel nut system. This allows prior installation and wiring of the mounting base without the need to support the body and lamps. This unique design saves on both time and labour costs.

## Mounting Options

- Floodlight
- Pendant
- Pole/Column
- Medium Bay
- Low Bay

International Approvals



## Standard Specification

Eclipse II Ex n LED Highbay

Type of Protection	Ex nA (Non Sparking) Ex tc (Dust Protected Enclosure)
ATEX Classification	Group II Category 3 GD
Area Classification	Zone 2 and Zone 22 areas to EN 60079-10-1 and EN 60079-10-2 with installation to EN60079-14
Certificate	EC Type Examination Certificates BAS04 ATEX 0393X IECEx Certificate of Conformity IECEx BAS 05.0053X
Coding	Ex nA IIC Gc Ex tc IIIC Dc Refer to table for T Rating and Ambient
Enclosure	Painted aluminium body with glass globe
Entry	Up to 4 x M20 cable entries
Termination	3 core 6mm <sup>2</sup> max. conductor with looping
Installation	Surface mounted
Control Gear	Electronic Driver
Colour Temperature (CCT)	5000K (Cool White)
Maintenance	Barrel nut fastener
Ingress Protection	IP66
Surge Protection	4kV line to line, 6kV line to earth
Electrical Supply	120-254V AC 50/60Hz

## Features

- ◆ Instant on crisp white light output
- ◆ Highly **Energy Efficient**
- ◆ **120,000** maintenance free hours at 25°C
- ◆ **Lower power consumption** than HID lamps
- ◆ **Low temperature applications to -40°C**

Chalmit®

**LED SOLUTIONS**  
For Harsh & Hazardous Locations



[www.chalmit.com](http://www.chalmit.com)



Harsh & Hazardous

Product design and specifications are subject to change without notice. Please check the Chalmit website for latest specifications. [www.chalmit.com](http://www.chalmit.com)



MADE IN BRITAIN

Std. Cat No.	Delivered Output	Power Consumption	TClass	T°C (Dust)	Ambient °C	Weight
<b>EC2N/06L/LE</b>	5842 lm	55W	T4	90	-40 to +55	11.5kg
<b>EC2N/09L/LE</b>	8525 lm	80W	T4	90	-40 to +55	12.0kg
<b>EC2N/12L/LE*</b>	12220 lm	100W	T4	90	-40 to +55	12.0kg
<b>EC2N/16L/LE</b>	15630 lm	140W	T4	90	-40 to +40	12.0kg

Options - Suffix to Catalogue No.

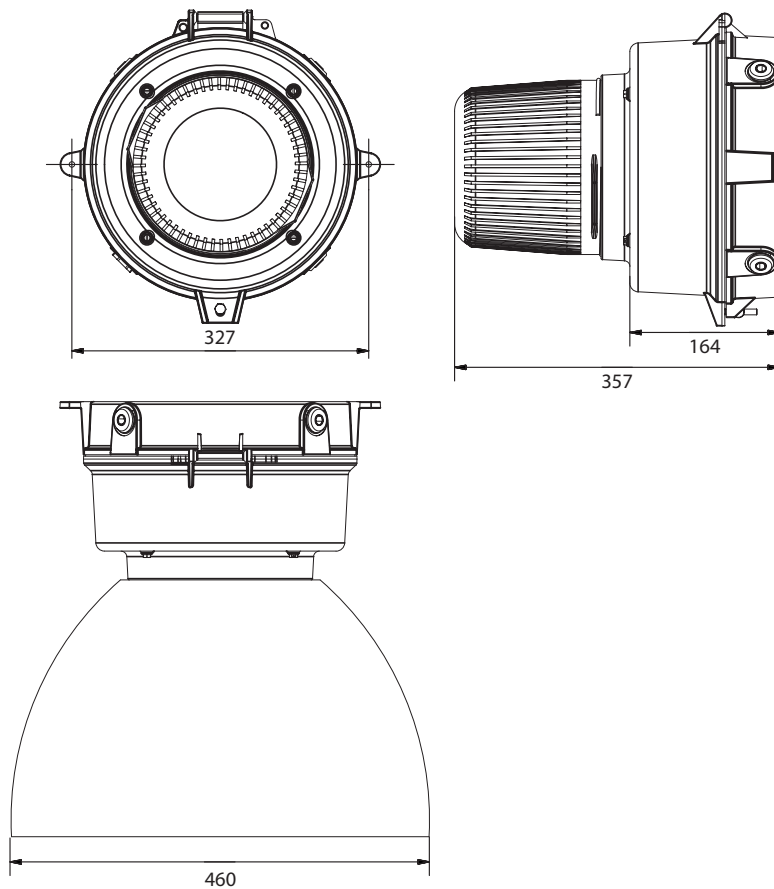
<b>/M25</b>	M25 Cable entries	<b>/SRG</b>	Surge protection (20kA and 10kV)*
<b>/WM</b>	Wall mounted version	<b>/ST</b>	Stanchion mounted version
<b>/PE</b>	Pendant mounted version	<b>/ER</b>	Sealed spun reflector
<b>/D</b>	Zone 22 dust applications		

\*When using additional surge protection with EC2N/12L/LE please note that the maximum ambient reduces to +40°C.

Accessories

Accessories should be ordered separately

	Order Code
Wire guard for low wattage glass globe	<b>E0850-0042</b>
Wire guard for enclosed reflector	<b>E0850-0043</b>
Dome reflector	<b>SEC20-0001</b>
30° angled reflector	<b>SEC20-0002</b>



LED SOLUTIONS

For Harsh & Hazardous Locations



Harsh & Hazardous