

ZONE 2 ZONE 21 ZONE 22

NEXXUS[®] II



The **Nexxus II** low power LED luminaire is suitable for a wide range of applications and ambient temperatures. With reduced energy consumption when compared to traditional light sources this versatile luminaire is suitable for ceiling, wall and bulkhead mounting.

Standard Specification

Nexxus II Ex n LED Bulkhead

Type of Protection	Ex nR (Restricted Breathing) Ex tb (Dust Protected Enclosure)
ATEX Classification	Group II Category 3 GD Group II Category 2 D
Area Classification	Zone 2 and Zone 22 areas to EN 60079-10-1 and EN 60079-10-2 with installation to EN60079-14
Certificate	EC Type Examination Certificates Baseefa 11ATEX0031X (Zone 2/22) Baseefa 11ATEX0032X (Zone 21) IECEx Certificate of Conformity IECEx BAS 11.0017X
Coding	Ex nR IIC T6 Gc Ex tc IIIC T70°C Dc IP6X Ex tb IIIC T70°C Db IP6X
Enclosure	Aluminium LM6 body, RAL-9005 black epoxy paint finish with toughened glass and silicone gasket
Reflector	Brushed aluminium
Entry	3 x M20 cable entries
Termination	3 core 6mm ² max. conductor with looping or through wiring 16A max current rating
Installation	Surface mounted. 4 mounting holes located outside seal.
Control Gear	Electronic Driver
Colour Temperature (CCT)	4100K (Neutral White)
Maintenance	M6 Slotted Screws
Ingress Protection	IP66 to EN 60529
Surge Protection	4kV
Electrical Supply	110 - 254V AC 50/60Hz

Mounting Options

- Ceiling
- Wall
- Bulkhead
- Pole/Column

International Approvals



Chalmit[®]

LED SOLUTIONS

For Harsh & Hazardous Locations



Features

- ◆ High corrosion **resistance**
- ◆ **Through wire or looping** as standard
- ◆ **Prismatic lens**
- ◆ Suitable for **low temperature applications**
- ◆ Very low **power consumption**
- ◆ Highly **Energy Efficient**
- ◆ Suitable for **Zone 21 combustible dust environments**
- ◆ **Equivalent performance** to a 26W CFL
- ◆ Over **60,000 hours*** continuous operation

*60,000 hours expected at 40°C ambient (L70B10)

www.chalmit.com



Harsh & Hazardous

Std. Cat No.	Delivered Output	Power Consumption	TClass	T°C (Dust)	Ambient °C	Weight
NE2N/121/LE	1220 lm	19W	T6	70	-45 to +55	5.7kg

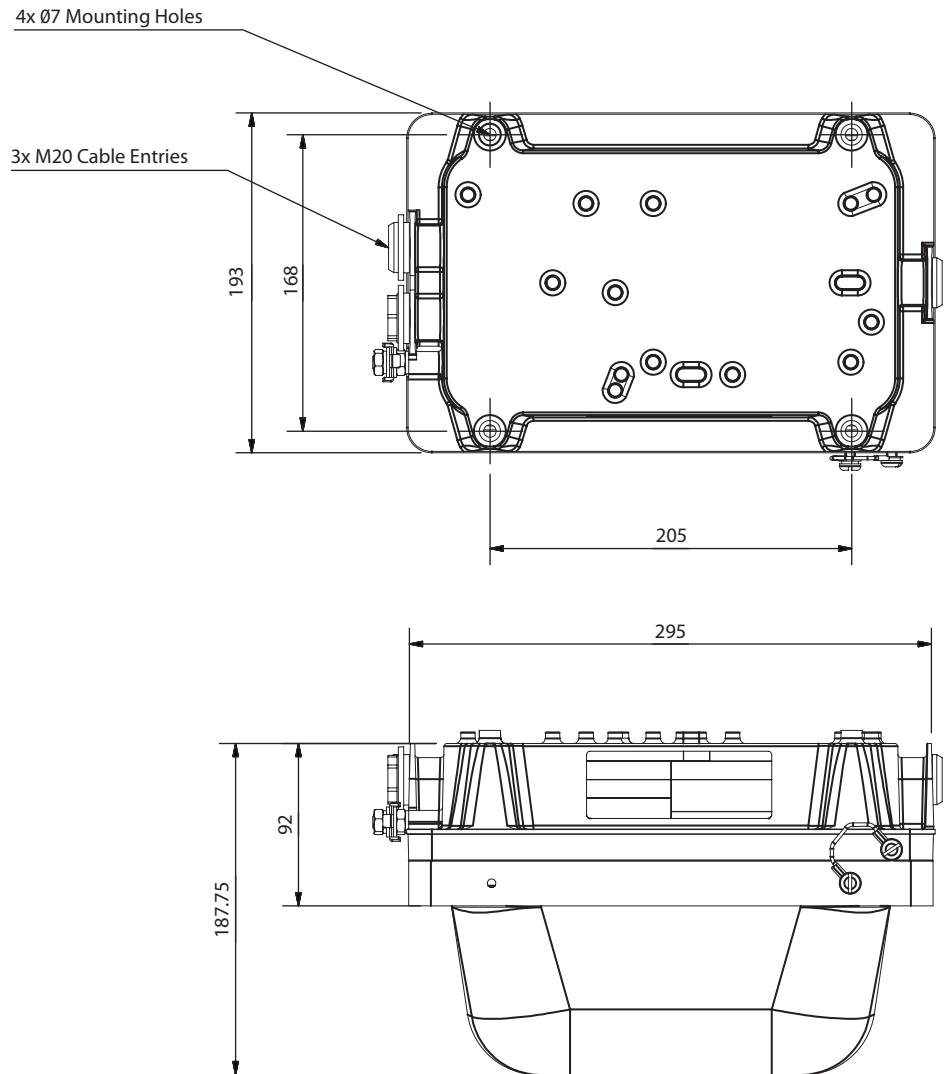
Product design and specifications are subject to change without notice. Please check the Chalmit website for latest specifications. www.chalmit.com

Accessories *Accessories should be ordered separately*

	Order Code
Wire Guard Assembly	SNEX1-0001



MADE IN BRITAIN



LED SOLUTIONS

For Harsh & Hazardous Locations



Harsh & Hazardous