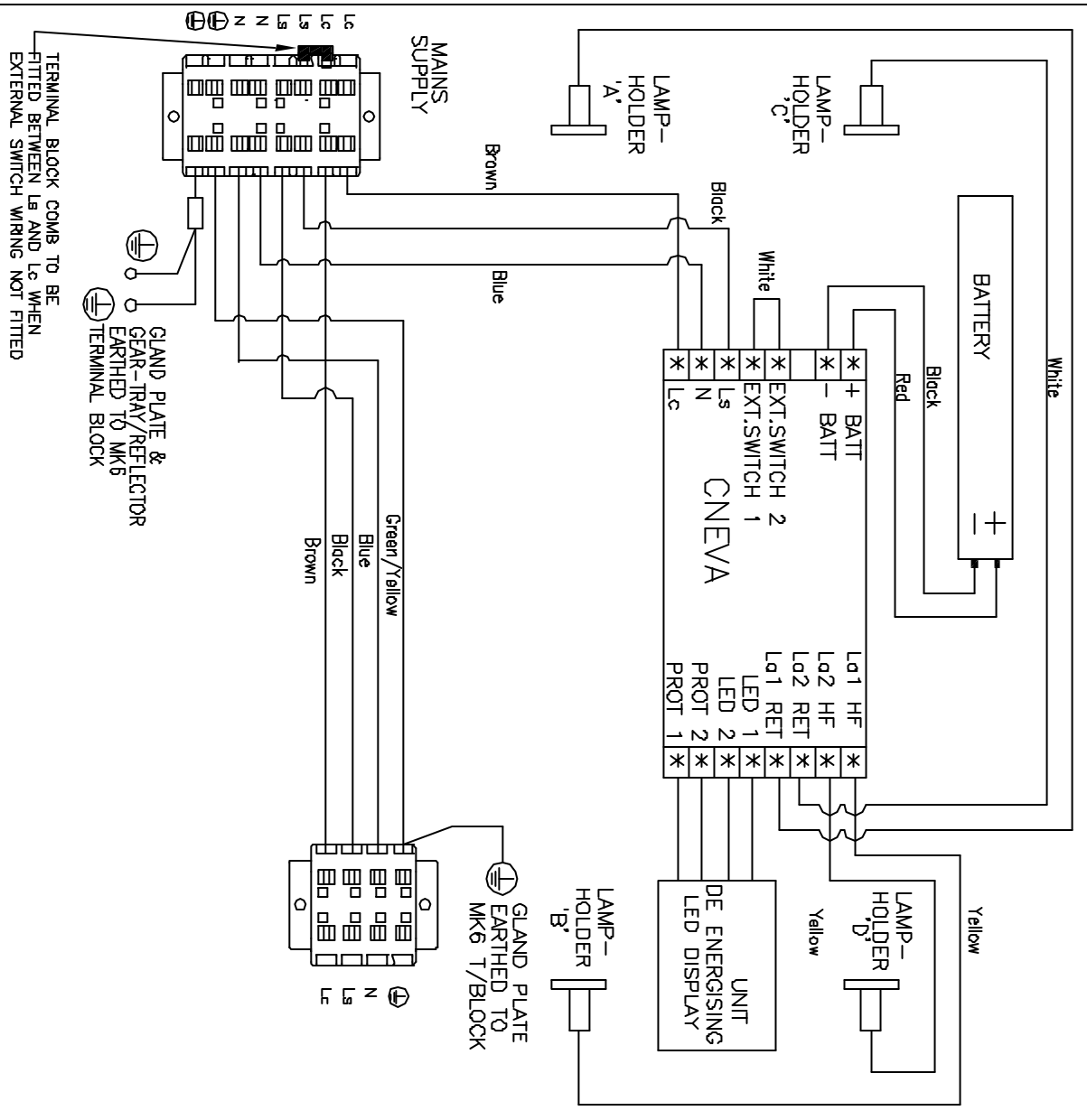
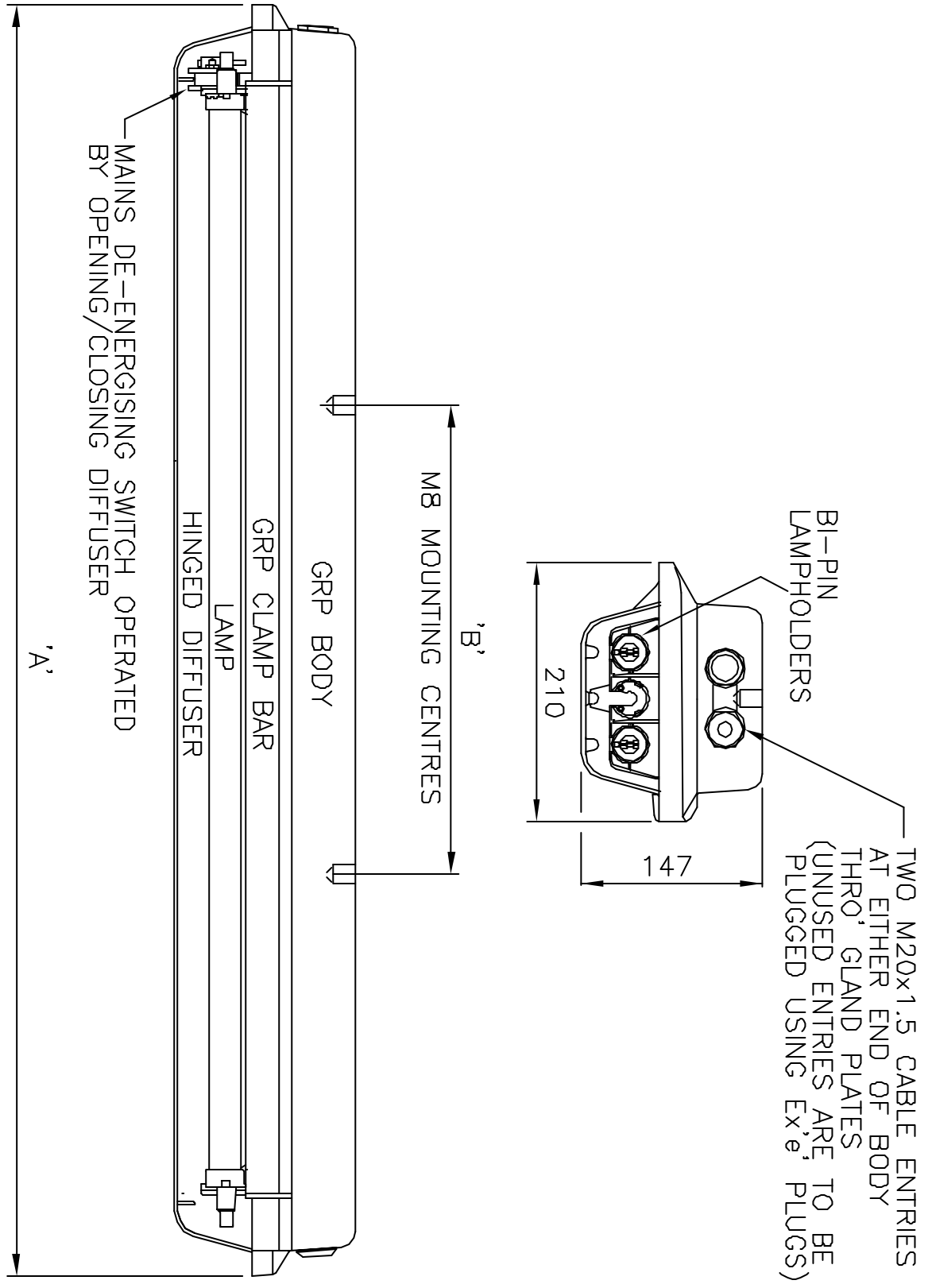


MODEL	'A'	'B'	CODING
2x18/20W (EMERGENCY)	742	400	II 2 G D EEX eqm II T4 AMB. -20°C to 55°C, 195°C
2x36/40W (EMERGENCY)	1352	700	II 2 G D EEX eqm II T4 AMB. -20°C to 55°C, 195°C



- NOTES**
- 1) THE TERMINAL BLOCKS SHOWN ON THE WIRING DIAGRAM ALLOW FOR SINGLE ENTRY, LOOPING & THRO' WIRING FOR MAINS SUPPLY. THE REMOTE INHIBITING FACILITY CAN BE LOOPED IF REQUIRED.
 - 2) THE VOLTAGE SUPPLY IS 220-254V (-10%/+10%) 50/60Hz
 - 3) IP 66/67 RATING
 - 4) SUITABLE FOR 4 CORE 6mm SQ. INCOMING CABLE AS STANDARD.
 - 5) THRO' WIRING IS STANDARD ON ALL MODELS.
 - 6) BATTERY IS CONTAINED INSIDE THE BODY.
 - 7) THERE ARE TWO M8 THREADED BRASS BUSHES INSERTED INTO GRP BODY FOR MOUNTING TO CEILING. (SEE DIMENSION 'B')
 - 8) BI-PIN LAMP HOLDERS ARE STANDARD.



DRAWN	icampbell
CHECKED	kbovie
APPROVED	icampbell
DATE	01/10/2004

WITHOUT OUR PERMISSION THIS DRAWING, WHICH IS OUR COPYRIGHT, MAY NOT BE REPRODUCED OR MADE AVAILABLE TO THIRD PARTIES. AUTHORIZATION IS GIVEN TO REPRODUCE THIS DRAWING FOR INTERNAL PURPOSES ONLY.

CHANGE	NO	MOD BY	DATE	SCALE	TITLE
					Chalmit Lighting 388 Hillington Road, Glasgow G52 4BL Scotland Tel:0141 882 5555 Fax:0141 883 3704

MATERIAL	GRP & POLYCARBONATE	TOLERANCE		TITLE	PRO III 2x18/36W CNEVA C/W WIRING DIAGRAM Baseef004ATEX0220
FINISH	SELF	SURFACE ROUGHNESS		DRAWING NUMBER/SHEET NUMBER	F1850 01F 01
DIMS. IN	MM	SCALE	-		