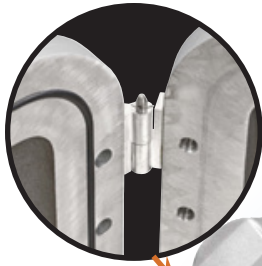


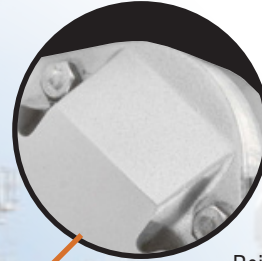


DISTRIBUTION

DISTRIBUTION SYSTEMS FOR GLOBAL APPLICATIONS



Hinges & gasketing standard



Reinforced corners fewer cover bolts

BUSB MAX. AMPS		CATALOG NUMBER		NEUT. MAX. AMPS		TERMINAL RANGE	
SUPPLY VOLTAGE		PHASE		FREQUENCY		MAX. BREAKER AMPS	
1	2	3	4	5	6	7	8
1	2	3	4	5	6	7	8
9	10	11	12	13	14	15	16
17	18	19	20	21	22	23	24

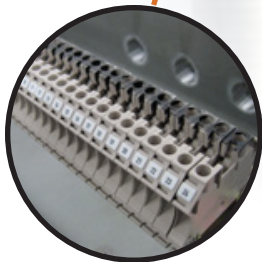
Weatherproof Circuit Card



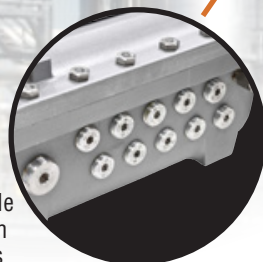
Recessed flange notch



Painted Steel Terminal Housing or Stainless Steel for NEMA 4X option



Terminals in connection box for load circuits



Multiple Bottom Entries



External grounding provision and removable mounting feet



DISTRIBUTION EQUIPMENT INDEX



XEC Series
Circuit Breakers.....2



XEDS Series
Disconnect Switches
3 Pole/Non-Fusible.....8



B7C Series
Prism Circuit Breakers3-6



B7NFD Series
Compact Non-Fused
Disconnect Switches.....9



DEDS Series
Disconnect Switches
3 Pole/Non-Fusible.....7



EXB-NFD, EXB-FDS Series
Disconnect Switches
3 Pole Non-Fusible & Fusible.....10-11



B7L Series
Lighting Panelboards12-13, 15-16



DISTRIBUTION

DISTRIBUTION EQUIPMENT INDEX



B7P Series
Power Panelboards12, 14, 15-16



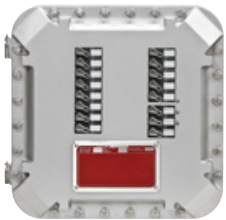
GFCS Series
Ground Fault Control Station 25



D2L/D2PC Series
Factory Sealed Panelboards17-21



SWITCHRACK ASSEMBLIES 26



EXBLI/EXBSPI Series
IEC Circuit Breaker Panelboards 22-23



GCBB Series
Circuit Breaker Load Centers24



CIRCUIT BREAKER ENCLOSURES



Class I, Div. 1 & 2, Groups C,D
 Class I, Zones 1 & 2, Groups IIB, IIA
 Class II, Div. 1 & 2, Groups E, F, G
 Class III
 NEMA 7 (C, D) 9 (E, F, G)

LISTED - File E30962

Certified - File LR18179

See files for details or call Killark.

FEATURES-SPECIFICATIONS

Applications

- Hazardous areas due to the presence of flammable gases or vapors, combustible dusts, or easily ignitable fibers or flyings
- Installations at petroleum refineries, chemical and petrochemical plants, storage areas, and other processing facilities where hazardous substances are handled or stored
- Provides overcurrent and short circuit protection of service entrance, feeder or branch circuits, lighting, heating, appliance and motor circuits

Features

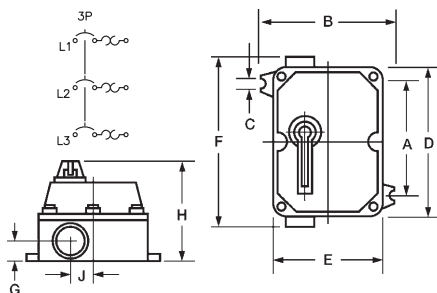
- Rectangular bolted cover design provides for attractive, compact, uniform installations
- Two cast conduit hubs; one top and one bottom
- Internal circuit breaker handle mechanism is a sliding plate type mounted to the cover
- External handle is vault type with standard provisions for locking in "OFF" position with up to three padlocks
- Provisions for locking in "ON" position available as factory modification (add suffix SU40 to catalog number)
- Circuit breaker is trip free of handle mechanism
- Locking in the "ON" position does not prevent the circuit breaker from opening under short circuit or overload conditions

Material Specifications

- Enclosure and external circuit breaker handle is cast copper-free aluminum alloy (less than 4/10 of 1%)
- Cover bolts are stainless steel

XEC CIRCUIT BREAKERS					
CATALOG NUMBER					TRIP AMPS
EHD FRAME			FDB FRAME		
1-POLE 277 VAC 125 VDC	2-POLE 240/480 VAC 250 VDC	3-POLE 240/480 VAC —	2-POLE 600 VAC 250 VDC	3-POLE 600 VAC	
XECD-154A1	XECD-154A2	XECE-154A3	XECE-156A2	XECE-156A3	15
XECD-204A1	XECD-204A2	XECE-204A3	XECE-206A2	XECE-206A3	20
XECD-304A1	XECD-304A2	XECE-304A3	XECE-306A2	XECE-306A3	30
XECD-404A1	XECD-404A2	XECE-404A3	XECE-406A2	XECE-406A3	40
XECF-504A1	XECF-504A2	XECF-504A3	XECF-506A2	XECF-506A3	50
XECF-604A1	XECF-604A2	XECF-604A3	XECF-606A2	XECF-606A3	60
XECF-704A1	XECF-704A2	XECF-704A3	XECF-706A2	XECF-706A3	70
XECF-804A1	XECF-804A2	XECF-804A3	XECF-806A2	XECF-806A3	80
XECF-904A1	XECF-904A2	XECF-904A3	XECF-906A2	XECF-906A3	90
XECF-1004A1	XECF-1004A2	XECF-1004A3	XECF-1006A2	XECF-1006A3	100
ENCLOSURE ONLY					
XECD-4A	XECD-4A	XECE-6A	XECE-6A	XECE-6A	For 40 Amp or less
XECF-6A	XECF-6A	XECF-6A	XECF-6A	XECF-6A	For 50-100 Amp

Dimensions



NOTE: Space for additional drill & tap conduit opening
 1" for XECD-4A
 1-1/4" for XECE-6A
 2" for XECF-6A
 Also is location for SU3 drain and breather when requested.

MODIFICATIONS	
SUFFIX NUMBER	DESCRIPTION
SU3	Drain and breather
SU40	Lock "ON"

NOTE: Only Cutler-Hammer Series "C" breakers fit this series. See B7C series on page DE3-6 for other brands.

ELECTRICAL RATINGS INTERRUPTING CAPACITY			
FRAME	VOLTS	AMPS SYMMETRICAL	AMPS D.C.
EHD 15-100 AMPS	240 VAC	18,000	—
	277 VAC	14,000	—
	480 VAC	14,000	—
FDB 15-150 AMPS	250 VDC	—	10,000
	240 VAC	18,000	—
	480 VAC	14,000	—
	600 VAC	14,000	—
	250 VDC	—	10,000

XEC DIMENSIONS											
CATALOG NUMBER	HUB SIZE	A	B	C	D	E	F	G	H	J	EST. ENCL. WT. LBS (KG)
XECD-4A	1"	8-3/8" (213)	7-7/16" (189)	13/16" (21)	10-1/4" (260)	6" (152)	11-7/8" (302)	1-3/8" (35)	6-7/8" (175)	1-1/2" (38)	10.50 (4.76)
XECE-6A	1-1/4"	8-3/8" (213)	8-3/4" (222)	13/16" (21)	10-1/4" (260)	7-3/8" (187)	11-7/8" (302)	1-3/8" (35)	6-7/8" (175)	2" (51)	16.15 (7.32)
XECF-6A	2"	10-7/8" (276)	9-1/8" (232)	13/16" (21)	13-7/8" (352)	7-3/4" (197)	16" (406)	1-3/4" (44)	7" (178)	2" (51)	20.00 (9.07)

NOTE: A & B dimensions are for mounting.



CIRCUIT BREAKER ENCLOSURES



FEATURES-SPECIFICATIONS



Applications

- Locations such as petroleum refineries, chemical and petroleum plants with indoor and outdoor processes
- Motor control and circuit protection in locations made hazardous due to the presence of flammable gases or vapors, combustible dust, or easily ignitable fibers and flyings, and areas which are subject to corrosion, weather and dampness
- To provide overcurrent and short circuit protection of service entrance, feeder or branch circuits, lighting, heating, appliance and motor circuits
- To provide line disconnect means

Features

- Copper-free, cast aluminum construction (less than 4/10 of 1%).
- High strength, lighter in weight, corrosion resistant.
- Hinged Cover is standard.
- More Wiring Room – Meets the latest NEC/CEC wire bending requirements for circuit breaker enclosures.

- Ductile Mounting Lugs – Lugs are made of ductile aluminum alloy to adjust to irregular mounting surfaces without damage to enclosure.
- Universal Mounting Pan – Sheet aluminum pan is pre-drilled to facilitate easy field installation of major circuit breaker brands. Provisions for grounding supplied as standard.
- Conduit Openings Supplied – Standard conduit openings include power conduit top and bottom and a plugged opening suitable for field installation of drain and breather.
Special conduit openings can be supplied at factory, or can be field installed.
- Breaker Handle – Provisions for lock “ON” or “OFF” positions with up to three padlocks. Spring loaded to prevent damage of breaker toggle and provides positive handle alignment. “O” ring on shaft to prevent water seeping into enclosure.
- Recessed Flange Notches – Flanges are notched to allow for easier cover opening with prying instrument without flange damage.

Class I, Div. 1 & 2, Groups B, C, D
Class I, Zones 1 & 2, Groups IIB+H₂, IIA
Class II, Div. 1 & 2, Groups E, F, G
Class III, Div. 1 & 2
NEMA 3, 4, 4x, 7 (B, C, D), 9 (E, F, G)

UL #UL1203-Explosion Proof and Dust-Ignition-Proof Electrical Equipment For Use In Hazardous (Classified) Locations.
File #E83969

SP #C22.2 NO. 30-M1986-Explosion Proof Enclosures For Use In Class I Hazardous Locations.
File #LR11714

- Gasketed Flange – Nitrile (BUNA-N) “O” ring gasket is located inside cover bolt circle to prevent water seeping into enclosure.
- Quick Release, Captivated Cover – Bolts of 316 Grade Stainless Steel Triple lead bolts require only 3-1/2 turns to disengage.

Material/Finish

- Enclosure: Copper-free, cast aluminum (less than 4/10 of 1%)
- Aluminum lacquer paint finish is standard, with special epoxy finish available. See page DE6
- Cover Bolts: 316 grade stainless steel
- Mounting Pan: Sheet aluminum
- Handle Mechanism: Cast aluminum with stainless steel shaft and hardware.
- Hinges: Aluminum with stainless steel hardware.



DISTRIBUTION EQUIPMENT



FEATURES-SPECIFICATIONS

B7C CIRCUIT BREAKER ENCLOSURES				
ENCLOSURE ONLY CATALOG NUMBER	WILL ACCEPT THE FOLLOWING CIRCUIT BREAKERS:			
	MANUFACTURER	FRAME SIZE	CIRCUIT BREAKER TYPE	MAX. AMP
B7CA	EATON/CUTLER HAMMER/WESTINGHOUSE	F	EHD, FDB, FD, HFD, FDC	100
	GENERAL ELECTRIC	E	TEB, TED, THED, TEL	100
	ITE - SIEMENS	ED	ED2, ED4, ED6, HED4, HED6	90
	SCHNIEDER/SQUARE D	H	HDL, HGL, HJL, FAL, FHL, FCL	100
	ABB	T1	T1N, T1S, T1H	100
B7CB	EATON/CUTLER HAMMER/WESTINGHOUSE	F	FDB, FD, HFD, FDC	150
	GENERAL ELECTRIC	E	TEB, TED, THED, TEL	150
	ITE - SIEMENS	ED	ED2, ED4, ED6, HED4, HED6	90
	SCHNIEDER/SQUARE D	H	HDL, HGL, HJL, FAL, FHL, FCL	150
B7CC	EATON/CUTLER HAMMER/WESTINGHOUSE	J	JD, JDB, JDC, HJD	250
	GENERAL ELECTRIC	F	TFJ, TFK, THFK, TFL	225
	SCHNIEDER/SQUARE D	J	JDL, JGL, JJL	250
	ITE - SIEMENS	FD	FXD6, FD6, HFD6, CFD6	250
	ABB	T3/T4	T3N, T3S, T3H, T4N, T4S, T4H	225/250
B7CD	EATON/CUTLER HAMMER/WESTINGHOUSE	K	DK, KDB, KD, HKD, KDC	400
	GENERAL ELECTRIC	J	TJJ, TJK, THJK	400
	ITE - SIEMENS	JD	JXD2, JXD6, JD6, HJD6, HHJD6, CJD6	400
	SCHNIEDER/SQUARE D	L	LDL, LGL	400
	ABB	T5	T5N, T5S, T5H	400
B7CE	EATON/CUTLER HAMMER/WESTINGHOUSE	L	LDB, LD, HLD, LDC	600
	GENERAL ELECTRIC	J	TJK, THJK	600
	ITE - SIEMENS	L	LXD6, LD6, HLD6, HHLD6, CLD6	600
	SCHNIEDER/SQUARE D	L	LDL, LGL	600
	ABB	T6	T6N, T6S, T6H	600
B7CF	EATON/CUTLER HAMMER/WESTINGHOUSE	N	ND, HND, NDC	1200
	GENERAL ELECTRIC	K	TKM, THKM	1200
	ITE - SIEMENS	MD/ND	MD, MXD, HMXD, HMD, CMD	800/1200
	SCHNIEDER/SQUARE D	P	PDL, PGL	1200
	ABB	T7	T7N, T7S, T7H	1200

NOTE: Enclosure includes mounting pan which is pre-drilled to accept circuit breakers illustrated above.

Mounting screw hardware for circuit breaker is not supplied with enclosure and must be furnished by supplier of circuit breaker.

*New generation Square 'D' circuit breakers G Frame, H Frame, J Frame, K Frame are not direct replacements for FAL, KAL, or MAG GUARD.



CIRCUIT BREAKER ENCLOSURES

B7C ENCLOSURE WITH CIRCUIT BREAKER INSTALLED										
BREAKER AMP TRIP	MAX. VOLTAGE	CATALOG NUMBER			CATALOG NUMBER			CATALOG NUMBER		
		CUTLER-HAMMER/EATON BREAKERS			SCHNIEDER/SQUARE D BREAKERS			ABB		
		FRAME	2 POLE	3 POLE	FRAME	2 POLE	3 POLE	FRAME	3 POLE	4 POLE
15	480	EHD	B7CA-WEHD-42015	B7CA-WEHD-43015	HDL	B7CA-SHDL-42015	B7CA-SHDL-43015	T1N	B7CA-AT1N-43015	B7CA-AT1N-44015
15	600	FDB	B7CA-WFDB-62015	B7CA-WFDB-63015	HDL	B7CA-SHDL-62015	B7CA-SHDL-63015	T1N	B7CA-AT1N-63015	B7CA-AT1N-64015
20	480	EHD	B7CA-WEHD-42020	B7CA-WEHD-43020	HDL	B7CA-SHDL-42020	B7CA-SHDL-43020	T1N	B7CA-AT1N-43020	B7CA-AT1N-44020
20	600	FDB	B7CA-WFDB-62020	B7CA-WFDB-63020	HDL	B7CA-SHDL-62020	B7CA-SHDL-63020	T1N	B7CA-AT1N-63020	B7CA-AT1N-64020
25	480	EHD	B7CA-WEHD-42025	B7CA-WEHD-43025	HDL	B7CA-SHDL-42025	B7CA-SHDL-43025	T1N	B7CA-AT1N-43025	B7CA-AT1N-44025
25	600	FDB	B7CA-WFDB-62025	B7CA-WFDB-63025	HDL	B7CA-SHDL-62025	B7CA-SHDL-63025	T1N	B7CA-AT1N-63025	B7CA-AT1N-64025
30	480	EHD	B7CA-WEHD-42030	B7CA-WEHD-43030	HDL	B7CA-SHDL-42030	B7CA-SHDL-43030	T1N	B7CA-AT1N-43030	B7CA-AT1N-44030
30	600	FDB	B7CA-WFDB-62030	B7CA-WFDB-63030	HDL	B7CA-SHDL-62030	B7CA-SHDL-63030	T1N	B7CA-AT1N-63030	B7CA-AT1N-64030
35	480	EHD	B7CA-WEHD-42035	B7CA-WEHD-43035	HDL	B7CA-SHDL-42035	B7CA-SHDL-43035	T1N	B7CA-AT1N-43035	B7CA-AT1N-44035
35	600	FDB	B7CA-WFDB-62035	B7CA-WFDB-63035	HDL	B7CA-SHDL-62035	B7CA-SHDL-63035	T1N	B7CA-AT1N-63035	B7CA-AT1N-64035
40	480	EHD	B7CA-WEHD-42040	B7CA-WEHD-43040	HDL	B7CA-SHDL-42040	B7CA-SHDL-43040	T1N	B7CA-AT1N-43040	B7CA-AT1N-44040
40	600	FDB	B7CA-WFDB-62040	B7CA-WFDB-63040	HDL	B7CA-SHDL-62040	B7CA-SHDL-63040	T1N	B7CA-AT1N-63040	B7CA-AT1N-64040
50	480	EHD	B7CA-WEHD-42050	B7CA-WEHD-43050	HDL	B7CA-SHDL-42050	B7CA-SHDL-43050	T1N	B7CA-AT1N-43050	B7CA-AT1N-44050
50	600	FDB	B7CA-WFDB-62050	B7CA-WFDB-63050	HDL	B7CA-SHDL-62050	B7CA-SHDL-63050	T1N	B7CA-AT1N-63050	B7CA-AT1N-64050
60	480	EHD	B7CA-WEHD-42060	B7CA-WEHD-43060	HDL	B7CA-SHDL-42060	B7CA-SHDL-43060	T1N	B7CA-AT1N-43060	B7CA-AT1N-44060
60	600	FDB	B7CA-WFDB-62060	B7CA-WFDB-63060	HDL	B7CA-SHDL-62060	B7CA-SHDL-63060	T1N	B7CA-AT1N-63060	B7CA-AT1N-64060
70	480	EHD	B7CA-WEHD-42070	B7CA-WEHD-43070	HDL	B7CA-SHDL-42070	B7CA-SHDL-43070	T1N	B7CA-AT1N-43070	B7CA-AT1N-44070
70	600	FDB	B7CA-WFDB-62070	B7CA-WFDB-63070	HDL	B7CA-SHDL-62070	B7CA-SHDL-63070	T1N	B7CA-AT1N-63070	B7CA-AT1N-64070
80	480	EHD	B7CA-WEHD-42080	B7CA-WEHD-43080	HDL	B7CA-SHDL-42080	B7CA-SHDL-43080	T1N	B7CA-AT1N-43080	B7CA-AT1N-44080
80	600	FDB	B7CA-WFDB-62080	B7CA-WFDB-63080	HDL	B7CA-SHDL-62080	B7CA-SHDL-63080	T1N	B7CA-AT1N-63080	B7CA-AT1N-64080
90	480	EHD	B7CA-WEHD-42090	B7CA-WEHD-43090	HDL	B7CA-SHDL-42090	B7CA-SHDL-43090	T1N	B7CA-AT1N-43090	B7CA-AT1N-44090
90	600	FDB	B7CA-WFDB-62090	B7CA-WFDB-63090	HDL	B7CA-SHDL-62090	B7CA-SHDL-63090	T1N	B7CA-AT1N-63090	B7CA-AT1N-64090
100	480	EHD	B7CA-WEHD-42100	B7CA-WEHD-43100	HDL	B7CA-SHDL-42100	B7CA-SHDL-43100	T1N	B7CA-AT1N-43100	B7CA-AT1N-44100
100	600	FDB	B7CA-WFDB-62100	B7CA-WFDB-63100	HDL	B7CA-SHDL-62100	B7CA-SHDL-63100	T1N	B7CA-AT1N-63100	B7CA-AT1N-64100
125	600	FDB	B7CB-WFDB-62125	B7CB-WFDB-63125	HDL	B7CB-SHDL-62125	B7CB-SHDL-63125	T3N	B7CB-AT3N-63125	B7CB-AT3N-64125
125	600	JDB	B7CC-WJDB-62125	B7CC-WJDB-63125						
150	600	FDB	B7CB-WFDB-62150	B7CB-WFDB-63150	HDL	B7CB-SHDL-62150	B7CB-SHDL-63150			
150	600	JDB	B7CC-WJDB-62150	B7CC-WJDB-63150	JDL	B7CC-SJDL-62150	B7CC-SJDL-63150	T3N	B7CC-AT3N-63150	B7CC-AT3N-64150
175	600	JDB	B7CC-WJDB-62175	B7CC-WJDB-63175	JDL	B7CC-SJDL-62175	B7CC-SJDL-63175	T3N	B7CC-AT3N-63175	B7CC-AT3N-64175
200	600	JDB	B7CC-WJDB-62200	B7CC-WJDB-63200	JDL	B7CC-SJDL-62200	B7CC-SJDL-63200	T3N	B7CC-AT3N-63200	B7CC-AT3N-64200
225	600	JDB	B7CC-WJDB-62225	B7CC-WJDB-63225	JDL	B7CC-SJDL-62225	B7CC-SJDL-63225	T3N	B7CC-AT3N-63225	B7CC-AT3N-64225
250	600	JDB	B7CC-WJDB-62250	B7CC-WJDB-63250	JDL	B7CC-SJDL-62250	B7CC-SJDL-63250			
250	600	KD	B7CD-WKD-62250	B7CD-WKD-63250	LDL	B7CD-SJDL-62250	B7CD-SJDL-63250	T4N	B7CD-AT4N-63250	B7CD-AT4N-64250
300	600	KD	B7CD-WKD-62300	B7CD-WKD-63300				T5N	B7CD-AT5N-63300	B7CD-AT5N-64300
350	600	KD	B7CD-WKD-62350	B7CD-WKD-63350						
400	600	KD	B7CD-WKD-62400	B7CD-WKD-63400	LDL	B7CD-SLDL-62400	B7CD-SLDL-63400	T5N	B7CD-AT5N-63400	B7CD-AT5N-64400
400	600	LD	B7CE-WLD-62400	B7CE-WLD-63400						
500	600	LD	B7CE-WLD-62500	B7CE-WLD-63500						
600	600	LD	B7CE-WLD-62600	B7CE-WLD-63600	LDL	B7CE-SLDL-62600	B7CE-SLDL-63600			
600	600	ND	B7CF-WND-62600	B7CF-WND-63600				T6N	B7CF-AT6N-63600	B7CF-AT6N-64600
700	600	ND	B7CF-WND-62700	B7CF-WND-63700						
800	600	ND	B7CF-WND-62800	B7CF-WND-63800				T6N	B7CF-AT6N-63800	B7CF-AT6N-64800
1000	600	ND	B7CF-WND-621000	B7CF-WND-631000				T7N	B7CF-AT7N-631000	B7CF-AT7N-641000
1200	600	ND	B7CF-WND-621200	B7CF-WND-631200	PDL	B7CF-SPDL-621200	B7CF-SPDL-631200	T7N	B7CF-AT7N-631200	B7CF-AT7N-641200

NOTE: See page DE6 for dimensional information and circuit breaker interrupting information.
For high interrupting breaker - consult factory.



CIRCUIT BREAKER ENCLOSURES

TECHNICAL DATA INTERRUPTING CAPACITY RATINGS (SYMMETRICAL AMPERES)				
BREAKER FRAME	VOLTS AC			VOLTS DC
CUTLER-HAMMER/EATON	240	480	600	250
EHD	18,000	14,000	—	10,000
FDB	18,000	14,000	14,000	10,000
JDB	65,000	25,000	18,000	10,000
KD	65,000	35,000	25,000	10,000
LD	65,000	35,000	25,000	22,000
ND	65,000	50,000	25,000	—
SQUARE D				
HDL	25,000	18,000	14,000	10,000
JDL	42,000	25,000	22,000	10,000
LDL	25,000	18,000	14,000	10,000
LGL	65,000	35,000	18,000	—
PDL	42,000	50,000	50,000	14,000
ABB				
T1N	50,000	22,000	10,000	25,000
T3N	50,000	25,000	10,000	25,000
T4N	65,000	25,000	18,000	25,000
T5N	65,000	25,000	18,000	25,000
T6N	65,000	35,000	20,000	35,000
T7N	65,000	50,000	25,000	NA

Dimensions

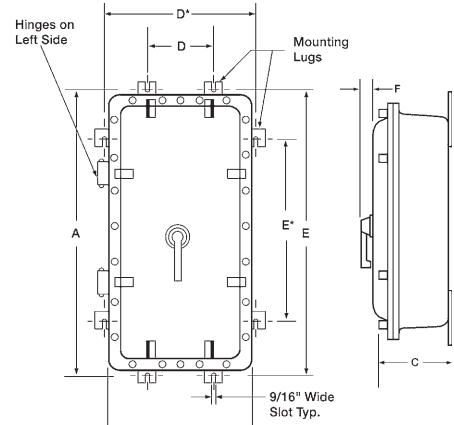


Figure 1

Consult factory for requirements on higher interrupting rated breakers.

NOTE: Modifications to Internal Circuit Breaker such as Shunt Trip, Auxiliary Switches, Alarm Switch and Undervoltage Release Mechanism are available and should be ordered by description.

ACCESSORIES / OPTIONS	
CATALOG NUMBER	DESCRIPTION
SU-3B-4X	Drain/Breather NEMA 4X/7 B,C,D
SU-10B-4X	Drain NEMA 4X/7 B,C,D
SU-11B-4X	Breather NEMA 4X/7 B,C,D
B7CGRND	Grounding lug kit
B7C-SN1	Solid neutral 150 AMP
B7C-SN2	Solid neutral 250 AMP
B7C-SN3	Solid neutral 600 AMP
B7C-SN4	Solid neutral 1200 AMP
B7SF	Special epoxy finish
B7SPNPT	Change standard conduit openings

NOTE: Modifications to Internal Circuit Breaker such as Shunt Trip, Auxiliary Switches, Alarm Switch and Undervoltage Release Mechanism are available and should be ordered by description.

Dimensions

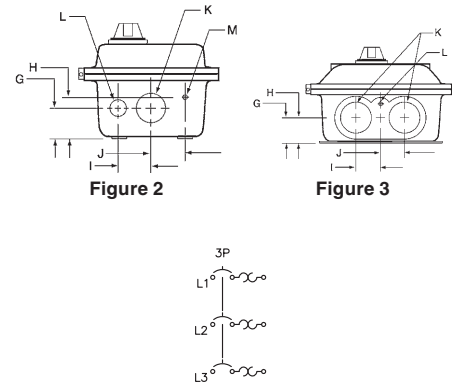


Figure 2

Figure 3

B7C DIMENSIONS																	
CATALOG NUMBER	USE FIGURES	DIMENSIONS											CONDUIT OPENINGS TOP & BTM. (NPT)			EST. ENCL. WT. LBS (KG)	
		A	B	C	D	D*	E	E*	F	G	H	I	J	K	L		M
B7CA	1, 2	18" (457)	11" (279)	9-1/8" (232)	3-5/8" (92)	N/A	16-3/8" (416)	N/A	1-3/4" (44)	2-15/16" (76)	3-11/16" (94)	2-3/8" (60)	2-1/8" (54)	1-1/2"	3/4"	1/2"	46 (20.86)
B7CB	1, 2	26-1/4" (667)	12-1/2" (318)	10-3/4" (273)	5" (127)	N/A	24-5/8" (625)	N/A	1-3/4" (44)	4-5/16" (110)	5-3/4" (146)	2-3/4" (70)	2-1/2" (64)	2"	1"	1/2"	80 (36.28)
B7CC	1, 2	34-1/4" (870)	16-1/2" (419)	11-1/2" (292)	9" (229)	N/A	32-5/8" (829)	N/A	1-3/4" (44)	4-11/16" (119)	6-1/4" (159)	4" (102)	3-3/4" (95)	3"	1"	1/2"	155 (70.30)
B7CD	1, 2	34-1/4" (870)	16-1/2" (419)	11-1/2" (292)	9" (229)	N/A	32-5/8" (829)	N/A	2-5/8" (67)	4-11/16" (119)	6-1/4" (159)	4" (102)	3-3/4" (95)	3"	1"	1/2"	155 (70.30)
B7CE	1, 3	45-3/8" (1153)	17-1/2" (445)	9-5/8" (244)	N/A	15-1/4" (387)	N/A	33" (838)	2-5/8" (67)	3-3/16" (114)	4-1/2" (114)	2-3/4" (70)	2-3/4" (70)	3"	1/2"	N/A	215 (97.52)
B7CF	1, 3	62-1/4" (1581)	20-1/4" (514)	15" (381)	N/A	18-1/2" (470)	N/A	43-1/2" (1105)	2-5/8" (67)	5-3/8" (137)	7-3/8" (187)	3-1/2" (89)	3-1/2" (89)	4"	1/2"	N/A	540 (244.93)



DISCONNECT SWITCHES • POLE / NON-FUSIBLE



Class II, Div. 1 & 2, Groups E, F, G
Class III
NEMA 3R, 4, 9 (E, F, G)

Listed - File E53290
 Certified - File LR11714
 See files for details or call Killark.

FEATURES-SPECIFICATIONS

Applications

- Hazardous areas due to the presence of combustible dusts or easily ignitable fibers or flyings
- Use in damp or wet locations. Either indoor or outdoor installations
- Installations such as feedmills, grain elevators, coal handling facilities, certain chemical, fertilizer and food processing industries where either hazardous or non-hazardous dusts are handled or stored
- Use in accordance with the NEC/CEC where a horsepower rated quick make-quick break disconnect means for a motor and its controller is permitted

Features

(30-60-100 Amp Housing Styles)

- Bolted and gasketed cabinet type construction insures the exclusion of conductive or combustible dusts from entering the assembly. Enclosure and external handle is copper-free aluminum alloy (less than 4/10 of 1%)
- Cover bolts are stainless steel
- External handle is vault type with standard provisions for locking in the "OFF" position with up to three padlocks
- Provisions for locking in "ON" position available as factory modification. (Add suffix SU40 to catalog number)
- Cutler-Hammer Type-DS Switches
- Two cast conduit hubs; one top and one bottom
- Internal disconnect handle mechanism is a sliding plate mounted to the cover

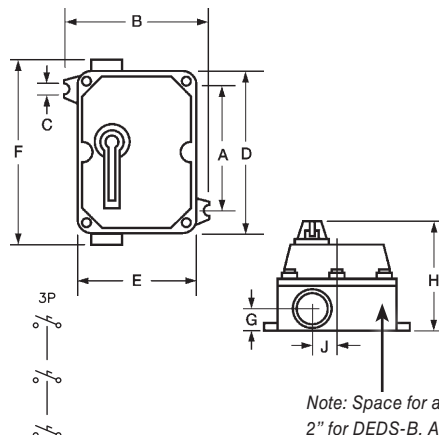
DEDS DISCONNECT SWITCHES				
CATALOG NUMBER				SWITCH RATING
ENCLOSURE WITH SWITCH	ENCLOSURE WITH SWITCH AND AUXILIARY CONTACTS	ENCLOSURE WITH SWITCH AND TWO AUXILIARY CONTACTS	ENCLOSURE ONLY (WITHOUT SWITCH OR AUXILIARY CONTACTS)	
DEDS-30	DEDS-30A	DEDS-30AA	DEDS-A	30 AMP
DEDS-60	DEDS-60A	DEDS-60AA	DEDS-B	60 AMP
DEDS-100	DEDS-100A	DEDS-100AA	DEDS-B	100 AMP

Auxiliary Switch Kits are available for separate control circuit applications. Each auxiliary switch has one normally open and one normally closed contact. Each switch includes three soldered, identified leads.
 Rated 15 amps at 250 volts maximum.

SWITCH AMPERES	DEDS ELECTRICAL RATINGS				
	MAXIMUM HORSEPOWER-THREE PHASE-3-POLE				
	120 VAC	240 VAC	480 VAC	600 VAC	250 VDC
30	5	10	20	25	7-1/2
60	10	20	40	60	15
100	15	30	75	75	25

DEDS DIMENSIONS											
ENCLOSURE CATALOG NUMBER	CONDUIT SIZE	A	B	C	D	E	F	G	H	J	EST. ENCL. WT. LBS (KG)
DEDS-A	1-1/4"	8-3/8" (213)	8-13/16" (224)	7/16" (11)	10-1/4" (260)	7-3/8" (187)	12-1/8" (308)	1-3/8" (35)	6-7/8" (175)	2" (51)	14.50 (6.57)
DEDS-B	2"	10-7/8" (276)	9-1/8" (232)	7/16" (11)	13-7/8" (252)	7-3/4" (197)	15-3/8" (391)	1-3/4" (44)	6-7/8" (175)	2" (51)	19.50 (8.84)

Dimensions



Note: Space for additional drill & top conduit opening. 1-1/4" for DEDS-A. 2" for DEDS-B. Also is location for SU3 drain and breather when required.

MODIFICATIONS	
SUFFIX NUMBER	DESCRIPTION
SU3 ^①	Drain and breather
SU17	100 Amp solid neutral
SU40	Lock "on" for handle
KIT-251	100 Amp ground lug

^① SU3 voids NEMA 4 ratings



DISCONNECT SWITCHES 3 POLE / NON-FUSIBLE



XEDS-30

Class I, Div. 1 & 2, Groups C, D
 Class I, Zones 1 & 2, Groups IIB, IIA
 Class II, Div. 1 & 2, Groups E, F, G
 Class III
 NEMA 7 (C, D) 9 (E, F, G)

UL LISTED Listed - File E53290

SP Certified - File LR1171
 See files for details or call Killark.

FEATURES-SPECIFICATIONS

Applications

- Hazardous areas due to the presence of flammable gases or vapors, combustible dusts or easily ignitable fibers or flyings
- Use in accordance with the NEC/CEC where a horsepower rated quick makequick break disconnect means for a motor and its controller is permitted

30-60-100 Amp Housing

- External handle is vault type with standard provisions for locking in "OFF" position with up to three padlocks
- Provisions for locking in "ON" position available as factory modification (add suffix SU40 to catalog number)
- Enclosure and external handle is cast copper-free aluminum alloy (less than 4/10 of 1%)
- Cover bolts are stainless steel
- Cutler-Hammer Type-DS Switches

30-60-100 Amp Housing

- Two cast conduit hubs; one top and one bottom
- Internal disconnect handle mechanism is a sliding plate mounted to the cover

XEDS DISCONNECT SWITCHES				
CATALOG NUMBER				SWITCH RATING
ENCLOSURE WITH SWITCH	ENCLOSURE WITH SWITCH AND AUXILIARY CONTACTS	ENCLOSURE WITH SWITCH AND TWO AUXILIARY CONTACTS	ENCLOSURE ONLY (WITHOUT SWITCH OR AUXILIARY CONTACTS)	
XEDS-30	XEDS-30A	XEDS-30AA	XEDS-A	30
XEDS-60	XEDS-60A	XEDS-60AA	XEDS-B	60
XEDS-100 ^①	XEDS-100A ^①	XEDS-100AA ^①	XEDS-B ^①	100

MODIFICATIONS	
SUFFIX NUMBER	DESCRIPTION
SU3	Drain and breather
SU17	100 Amp solid neutral
SU18	225 Amp solid neutral
SU40	Lock "on" for handle
KIT-251	100 Amp ground lug

Auxiliary switch kits are available for separate control circuit applications. Each auxiliary switch has one normally open and one normally closed contact. Each switch includes three soldered, identified leads. Rated 15 amps at 250 volts maximum.

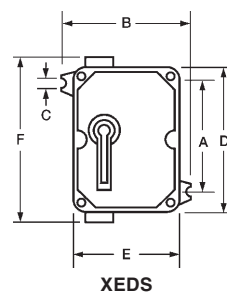
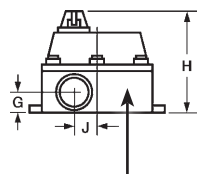
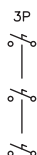
^① Due to wire gutter space, this unit must be wired with incoming (line) connection through the top hub and outgoing (load) connection to the bottom hub.

XEDS ELECTRICAL RATINGS					
SWITCH AMPERES	MAXIMUM HORSEPOWER – THREE PHASE – 3-POLE				
	120 VAC	240 VAC	480 VAC	600 VAC	250 VDC
30	5	10	20	25	7-1/2
60	10	20	40	60	15
100	15	30	75	75	25

XEDS DIMENSIONS											
CATALOG NUMBER	HUB SIZE	A	B	C	D	E	F	G	H	J	EST. ENCL. WT. LBS (KG)
XEDS-A	1-1/4"	8-3/8" (213)	8-3/4" (222)	7/16" (11)	10-1/4" (260)	7-3/8" (187)	11-7/8" (302)	1-3/8" (35)	6-7/8" (175)	2" (51)	11.0 (4.98)
XEDS-B	2"	10-7/8" (276)	9-1/8" (232)	7/16" (11)	13-7/8" (352)	7-3/4" (197)	16" (406)	1-3/4" (44)	7" (178)	2" (51)	17.0 (7.71)

NOTE: A & B dimensions are for mounting.

Dimensions



NOTE: Space for additional drill & tap conduit opening
 1-1/4" for XEDS-30
 2" for XEDS-60+100
 Also is location for SU3 drain and breather when requested.



COMPACT NON-FUSED DISCONNECT SWITCHES



B7NFD1



B7NFD2

Class I, Div. 1 & 2, Groups B, C, D
Class I, Zones 1 & 2, Groups IIB+ H₂, IIA
Class II, Div. 1 & 2, Groups E, F, G¹
Class III
NEMA 3, 4, 4X, 7 (B, C, D) 9 (E, F, G)



Certified - File LR11714

FEATURES-SPECIFICATIONS

Applications

The PRISM® B7 Series of non-fused disconnect switches are used:

- In locations made hazardous due to the presence of flammable gasses or vapors or ignitable dusts, fibers and flyings.
- Outdoors or indoors in damp, wet and dirty locations, or in areas where frequent washdowns, heavy rain or water spray routinely occurs.
- Use as motor circuit disconnect.

PRISM® enclosures universal design accomodates the following manufacturers switches as standard:

- Advance Controls 14046 Series
- Allen-Bradley 194E Series (B7NFD1 only)
- ABB OT Series
- Cutler-Hammer R9 Series
- Sprecher + Schuh LA7 Series
- Ferraz Shawmut LBS Series

Advance Controls © Advance Controls Inc.
 Allen-Bradley © Rockwell Automation
 ABB © The ABB Group
 Cutler-Hammer © Eaton Corporation
 Sprecher + Schuh © Sprecher + Schuh

Features

- Compact size enclosures provide application flexibility with cost savings over industry standard sizes
- Fewer cover bolts reduces installation and maintenance time
- Gasketed flange with O-ring located in side bolt circle to seal out moisture
- Rotary handle style operating mechanism with lockout provision as standard
- Removable ductile mounting lugs adjust to irregular mounting surfaces
- Bodies have top and bottom drilled and tapped conduit entrances for power connection, with custom openings available
- ABB UL98 certified switch supplied for 30-100 Amp units

Standard Materials /Finish

- Enclosures: Copper-free aluminum (less than 4/10 of 1% copper content)
- Cover Bolts: 316 Stainless Steel
- O-ring Gasket: Silicone

- Finish: Grey Powder Polyester painted exterior, electrostatically applied.
- Electrical rating: 600VAC, 30 - 100 Amp

ADAPTER KIT

- Required for Allen-Bradley and Sprecher + Schuh disconnects Order separately B7KIT - NRW

MODIFICATIONS	
SUFFIX NUMBER	DESCRIPTION
KIT-251	100 amp ground lug
SU-2	SU-2 Hinge-9 Installed
SU-3B-4X	Drain/Breather NEMA 4X/7 B,C,D
SU-10B-4X	Drain NEMA 4X/7 B,C,D
SU-11B-4X	Breather NEMA 4X/7 B,C,D
SU9	Special paint finish
A*	1 NC+1NO Auxiliary
B7SPNPT	Change std. conduit size and location
SU14	Fungus proofing of enclosures

* NOTE: Only one auxillary contact (Form C) will fit.

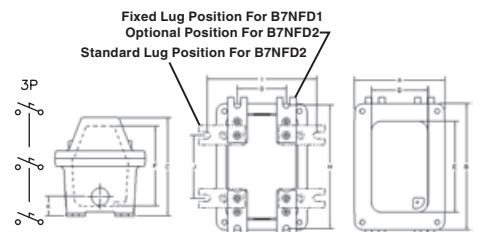
COMPACT NON-FUSED DISCONNECT SWITCHES

CATALOG NUMBER		SWITCH RATING IEC/NEC		SINGLE PHASE HP		THREE PHASE HP				TERMINAL LUG SIZE (MM/AWG)	WEIGHT (KG/LBS)
ENCLOSURE ONLY	W/ABB SWITCH	AMPS	PHASE	120 VAC	230 VAC	208 VAC	230 VAC	480 VAC	600 VAC		
UL508 & IEC - Suitable for use in equipment or machinery as motor controllers & motor disconnect and are horsepower and ampere rated.											
B7NFD1	B7NFD16A	16/20	3	1	2	3	5	10	10	.75 - 10mm / #18 - 8 AWG	4.98 / 11
B7NFD1	B7NFD25A	25/30	3	1.5	3	7.5	7.5	15	20	.75 - 10mm / #18 - 8 AWG	4.98 / 11
B7NFD1	B7NFD32A	32/40	3	2	5	10	10	20	25	.75 - 10mm / #18 - 8 AWG	4.98 / 11
B7NFD1	B7NFD63A	63/60	3	2	5	15	15	30	30	1.5 - 35mm / #14 - 2 AWG	4.98 / 11
B7NFD2	B7NFD80A	80/80	3	2	5	20	20	40	40	1.5 - 35mm / #14 - 2 AWG	10.53 / 23.2
UL 98 & IEC - Suitable for use as motor disconnects or industrial control panel disconnects on service entrance equipment, panelboards, switchboards, industrial control equipment, motor control centers, etc. and are horsepower rated and ampere rated.											
B7NFD1	B7NFD13A	40/30	3	2	5	10	10	20	30	2.5 - 25mm / #14 - 4 AWG	4.98 / 11
B7NFD2	B7NFD26A	63/60	3	3	7.5	20	20	40	40	2.5 - 25mm / #14 - 4 AWG	10.53 / 23.2
B7NFD2	B7NFD26A	100/100	3	5	15	25	30	50	50	10 - 70mm / #8 - 2/0 AWG	10.53 / 23.2

** Use MN. 75°C wire

DIMENSIONS

ENCLOSURE	OUTSIDE BOX DIMENSIONS (INCH/MM)			NOMINAL INSIDE BOX (INCH/MM)			MOUNTING DIMENSION (INCH/MM)				
	A	B	C	D	E	F	G	H	I	J	K
B7NFD1	5.75 (145)	8.0625 (205)	6.3125 (160)	3.625 (92)	5.8125 (148)	5.0625 (129)	3.125 (79)	8.125 (206)	NA	NA	1.25 (32)
B7NFD2	8.125 (206)	13.0625 (332)	7.8125 (198)	4.25 (108)	9.1875 (233)	6.3125 (160)	2.50 (64)	11.375 (289)	6.375 (162)	7.50 (191)	1.8125 (46)





EXB-NFD, EXB-FDS SERIES



DISCONNECT SWITCHES • 3 POLE / NON-FUSIBLE & FUSIBLE



- UL** #UL886 - Outlet Boxes and Fittings for use in Hazardous (Classified) Locations. File #E10514 cer
 - UL** #UL698& #UL1203 - Explosion Proof and Dust Ignition Proof Electrical Equipment. Files #E83969 & E12379
 - SP** #C22.2 No. 30-M1986 - Explosion Proof Enclosure for use in Class I Hazardous Locations. File #LR11716
- CENELEC II 2 GD
 PTB 07 ATEX 1025U (Empty Housing)
 PTB 07 ATEC 1024x (Enclosure with Controls)
 IEC Ex 07.0022U
 IEC Ex 07.0023

ATEX / IEC Ex Certified

Class I, Div. 1 & 2, Groups B[Ⓛ], C, D
Class I, Zones 1 & 2, Groups IIB + H₂, IIA
Class II, Div. 1 & 2, Groups E, F, G
Class III, Div. 1 & 2 ENCL TYPE 3, 4, 4X
NEMA 3, 4, 4X[Ⓢ], 7 (B, C, D), 9 (E, F, G)
CENELEC/ATEX/IEC Ex
Ex d IIB + H₂ T5 or T6
Ex tD A21 IP66
Tamb ≤ + 60°C



FEATURES-SPECIFICATIONS

Applications

EXP-NFD and EXB-FDS Series hinged cover disconnect switches are used:

- In locations made hazardous due to the presence of flammable gasses or vapors or ignitable dusts, fibers and flyings.
- Outdoors or indoors in damp, wet and dirty locations, or in areas where frequent washdowns, heavy rain or water spray routinely occurs.
- Use as motor circuit disconnect and to provide short circuit protection (fused version) of lighting and power circuits.

Features

- Copper-free aluminum construction, high strength, lighter in weight and corrosion resistant.
- Fewer cover bolts (no corner bolts required) reduces installation and maintenance time. Cover bolts are stainless steel.
- Gasketed flange with O-ring located in side bolt circle to seal out moisture.
- Stainless steel hinges are standard.
- Switch operating handle of copperfree aluminum can be padlocked, with up to 3 locks, in either the "ON" or "OFF" position.
- Ductile mounting lugs adjust to irregular mounting surfaces.
- Bodies have top and bottom drilled and tapped conduit entrances for power and drain/breather.
- **Global applications (ATEX) Enclosures are available for global applications with "CEN" suffix. Assemblies that are modified to CENELEC/ATEX standards maintain their North American certifications**

EXB-NFD NON FUSED DISCONNECT SWITCHES						
CATALOG NUMBER	SWITCH RATING	TYPE	CONDUITS TOP/ BOT.	WIRE SIZE	EST. ENCL. WT (LBS)	KG
EXB-NFD-0303P	30	3 Pole	(1) 1-1/2" (1) 1/2"	#14-4	40.0	(18.14)
EXB-NFD-0306P	30	6 Pole	(2) 2" (1) 1/2"	#14-4	41.0	(18.59)
EXB-NFD-0303PDT	30	3P Double Throw	(2) 2" (1) 1/2"	#14-4	41.0	(18.59)
EXB-NFD-0603P	60	3 Pole	(1) 2" (1) 1/2"	#14-4	40.0	(18.14)
EXB-NFD-0606P	60	6 Pole	(2) 2" (1) 1/2"	#14-4	42.0	(19.05)
EXB-NFD-0603PDT	60	3P Double Throw	(2) 2" (1) 1/2"	#14-4	41.0	(18.59)
EXB-NFD-1003P	100	3 Pole	(1) 2" (1) 1/2"	#8- 1/0	48.0	(21.77)
EXB-NFD-1006P	100	6 Pole	(2) 2" (1) 1/2"	#8-1/0	50.0	(22.67)
EXB-NFD-1003PDT	100	3P Double Throw	(2) 2" (1) 1/2"	#8-1/0	48.0	(21.77)
EXB-NFD-2003P	200	3 Pole	(1) 3" (1) 1/2"	#4-300MCM	170.0	(77.11)
EXB-NFD-4003P	400	3 Pole (2)	(2) 3" (1) 1/2"	#2-600MCM	241.0	(109.31)

EXB-FDS FUSED DISCONNECT SWITCHES (Type J Fuses)					
CATALOG NUMBER	SWITCH RATING	TYPE	CONDUITS TOP/ BOT.	WIRE SIZE	EST. ENCL. WT. LBS (KG)
EXB-FDS-0303P	30	3 Pole	(1) 2" (1) 1/2"	#14-4	40.0 (18.14)
EXB-FDS-0603P	60	3 Pole	(1) 2" (1) 1/2"	#14-4	82.0 (37.18)
EXB-FDS-1003P	100	3 Pole	(1) 2" (1) 1/2"	#14-2/0	130.0 (58.96)
EXB-FDS-2003P	200	3 Pole	(1) 3" (1) 1/2"	#4-300MCM	170.0 (77.11)
EXB-FDS-4003P	400	3 Pole	(2) 3" (1) 1/2"	#2-600MCM	425.0 (192.77)

- **ABB** Switches are used on all 30 to 400 Ampere assemblies.
- For Horsepower Ratings and Dimensions, see page DE11.
- Disconnect Switches suitable for type 'J' fuses only.

Standard Materials/Finish

- Enclosures: Copper-free aluminum (less than 4/10 of 1% copper content)
- Hinges and Cover Bolts: Stainless steel
- Aluminum lacquer paint finish

Electrical Rating Ranges

- 600 VAC
- 30, 60, 100, 200 and 400 Amp

Consult Factory for special conduit layouts

MODIFICATIONS	
SUFFIX NUMBER	DESCRIPTION
KIT-251	100 amp ground lug
KIT-252	225 amp ground lug
SU-3B-4X	Drain/Breather NEMA 4X/7 B,C,D
SU-10B-4X	Drain NEMA 4X/7 B,C,D
SU-11B-4X	Breather NEMA 4X/7 B,C,D
SU9	Special Paint Finish
4P	4th pole 30, 60, 100A - 3 pole only*
A	1 NC+1NO Auxiliary
AA	2 NC+2NO Auxiliary
CEN	ATEX/IEC Ex d

DISTRIBUTION

EXB-NFD, EXB-FDS SERIES

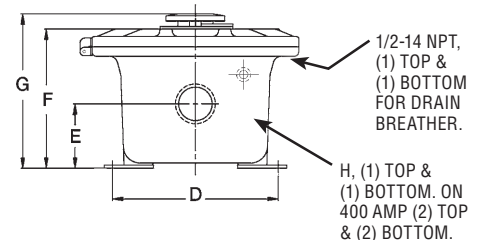
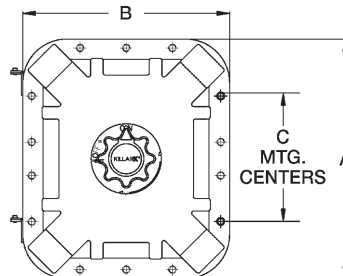
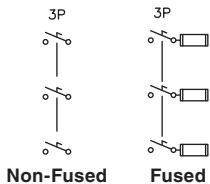


EXB-NFD ELECTRICAL RATINGS													
SWITCH AMPERES	MAXIMUM KW / HORSEPOWER SINGLE PHASE			MAXIMUM KW / HORSEPOWER - 3 PHASE									
	UL508 & IEC												
UL508	120 VAC	200 VAC	240 VAC	200 VAC	208 VAC		240 VAC			480 VAC		600 VAC	
IEC						220 VAC		400 VAC	415 VAC		500 VAC		690 VAC
16	1 HP	2 HP	2 HP	3 HP	3 HP	3 KW	5 HP	7.5 KW	7.5 KW	10 HP	7.5 KW	10 HP	7.5 KW
25	1.5 HP	3 HP	3 HP	7.5 HP	7.5 HP	4 KW	7.5 HP	9 KW	9 KW	15 HP	9 KW	20 HP	9 KW
32	2 HP	5 HP	5 HP	10 HP	10 HP	5.5 KW	10 HP	11 KW	11 KW	20 HP	11 KW	25 HP	11 KW
63	2 HP	5 HP	5 HP	15 HP	15 HP	11 KW	15 HP	22 KW	22 KW	30 HP	22 KW	30 HP	11 KW
80	2 HP	5 HP	5 HP	20 HP	20 HP	22 KW	20 HP	37 KW	37 KW	40 HP	37 KW	40 HP	18.5 KW
UL98 & IEC													
UL98	120 VAC	200 VAC	240 VAC	200 VAC	208 VAC		240 VAC			480 VAC		600 VAC	
IEC						220 VAC		400 VAC	415 VAC		500 VAC		690 VAC
30	2 HP	5 HP	5 HP	10 HP	10 HP	7.5 KW	7.5 HP	15 KW	15 KW	15 HP	15 KW	20 HP	15 KW
60	3 HP	5 HP	7.5 HP	20 HP	20 HP	11 KW	20 HP	18.5 KW	18.5 KW	40 HP	18.5 KW	40 HP	15 KW
100	5 HP	15 HP	15 HP	25 HP	25 HP	22 KW	30 HP	37 KW	37 KW	50 HP	37 KW	50 HP	37 KW
200	NA	NA	NA	NA	NA	75 KW	75 HP	132 KW	132 KW	150 HP	170 KW	200 HP	240 KW
400	NA	NA	NA	NA	NA	110 KW	125 HP	220 KW	220 KW	250 HP	280 KW	350 HP	355 KW

EXB-FDS ELECTRICAL RATINGS													
SWITCH AMPERES	MAXIMUM HORSEPOWER - THREE PHASE-3 POLE			MAXIMUM KW / HORSEPOWER - 3 PHASE									
	UL98 & IEC												
UL98	120 VAC	200 VAC	240 VAC	200 VAC	208 VAC		240 VAC			480 VAC		600 VAC	
IEC						220 VAC		400 VAC	415 VAC		500 VAC		690 VAC
30	2 HP	3 HP	5 HP	5 HP	7.5 HP	7.5 KW	7.5 HP	15 KW	15 KW	15 HP	15 KW	20 HP	25 KW
60	3 HP	5 HP	10 HP	15 HP	15 HP	11 KW	15 HP	30 KW	30 KW	30 HP	30 KW	50 HP	60 KW
100	5 HP	10 HP	15 HP	25 HP	25 HP	22 KW	30 HP	90 KW	90 KW	60 HP	37 KW	75 HP	130 KW
200	NA	NA	NA	50 HP	50 HP	75 KW	60 HP	90 KW	90 KW	125 HP	170 KW	150 HP	200 KW
400	NA	NA	NA	100 HP	100 HP	110 KW	125 HP	230 KW	230 KW	250 HP	230 KW	350 HP	400 KW

EXB-NFD DIMENSIONS													
AMP RATING	BASIC ENCLOSURE	A	B	C	D	E	F	G	NEC STANDARD CONDUIT OUTLETS		IEC STANDARD CONDUIT OUTLETS		
									TOP	BOTTOM	TOP	BOTTOM	
									16/20	EXB-664 N34 SU1	10.32 (262)	10.32 (262)	6.09 (155)
25/30	EXB-664 N34 SU1	10.32 (262)	10.32 (262)	6.09 (155)	4.00 (102)	2.75 (70)	6.50 (165)	6.50 (165)	1" NPT	1" NPT	M25	M25	
32/40	EXB-664 N34 SU1	10.32 (262)	10.32 (262)	6.09 (155)	4.00 (102)	2.75 (70)	6.50 (165)	6.50 (165)	1" NPT	1" NPT	M25	M25	
63/60	EXB-664 N34 SU1	10.32 (262)	10.32 (262)	6.09 (155)	4.00 (102)	2.75 (70)	6.50 (165)	6.50 (165)	1 1/2" NPT	1 1/2" NPT	M40	M40	
80/80	EXB-886 N34 SU1	12.3125 (313)	12.3125 (313)	8.00 (203)	9.875 (251)	3.8125 (97)	8.125 (206)	9.4375 (240)	2" NPT	2" NPT	M50	M50	
16/30/60	EXB-886 N34 SU1	12.3125 (313)	12.3125 (313)	8.00 (203)	9.875 (251)	3.8125 (97)	8.125 (206)	9.4375 (240)	1 1/2" NPT	1 1/2" NPT	M40	M40	
100	EXB-8106 N34 SU1	14.3125 (364)	12.3125 (313)	8.00 (203)	9.875 (251)	3.875 (98)	8.3125 (211)	8.625 (219)	2" NPT	2" NPT	M50	M50	
200	EXB-12248 N34 SU1	28.375 (721)	16.375 (416)	18.875 (479)	15.9375 (405)	5.375 (137)	11.9375 (303)	12.625 (321)	3" NPT	3" NPT	M63	M63	
400	EXB-12368 N34 SU1	41.25 (1048)	17.25 (438)	31.00 (787)	15.00 (381)	5.1875(81)	11.375 (289)	12.6875 (322)	(2) 3" NPT	(2) 3" NPT	(2) M63	(2) M63	

EXB-NFD DIMENSIONS													
AMP RATING	BASIC ENCLOSURE	A	B	C	D	E	F	G	NEC STANDARD CONDUIT OUTLETS		IEC STANDARD CONDUIT OUTLETS		
									TOP	BOTTOM	TOP	BOTTOM	
									30	EXB-8106 N34 SU1	14.3125 (364)	12.3125 (313)	8.00 (203)
60	EXB-10106 N34 SU1	15.25 (387)	15.25 (387)	14.9375 (379)	12.9375 (329)	5.062 (129)	10.9375 (278)	12.25 (311)	2" NPT	2" NPT	M40	M40	
100	EXB-12188 N34 SU1	22.375 (568)	16.375 (416)	12.875 (327)	14.9375 (379)	5.375 (137)	11.0625 (281)	12.375 (314)	2" NPT	2" NPT	M50	M50	
200	EXB-12248 N34 SU1	28.375 (721)	16.375 (416)	18.875 (479)	14.9375 (379)	5.375 (137)	11.9375 (303)	13.375 (340)	3" NPT	3" NPT	M63	M63	
400	EXB-18368 N34 SU1	40.375 (1026)	22.375 (568)	31.50 (800)	21.25 (546)	14.375 (365)	14.375 (365)	16.50 (419)	(2) 3" NPT	(2) 3" NPT	(2) M63	(2) M63	





CIRCUIT BREAKER PANELBOARDS



Class I, Div. 1 & 2, Groups B, C, D
Class I, Zones 1 & 2, Groups IIB+H₂, IIA
Class II, Div. 1 & 2, Groups E, F, G
Class III, Div. 1 & 2
NEMA 3, 4, 4x, 7 (B, C, D) 9 (E, F, G)



Classified – File E83969

See files for details or call Killark.



Certified – File LR 11713 for B7L

FEATURES-SPECIFICATIONS



Applications

- Hazardous locations due to the presence of flammable gases or vapors, combustible dust or easily ignitable fibers and flyings, and areas subject to corrosion, weather and dampness
- Petroleum refineries, chemical and petrochemical plants with indoor and outdoor processes
- Applications requiring overcurrent and short circuit protection of lighting, appliances, heating and motor circuits

Features

- NEMA 4, 4x rated for protection from hose directed water and corrosion
- Standard electrical components: B7L-Cutler-Hammer Quicklag Breakers B7P-Cutler-Hammer Series C Breakers
- B7L and B7P furnished with copper buss
- Main lugs. Mechanical solderless type, approved for CU or AL conductors
- Solid Neutral standard. Single phase 3 wire. Three phase 4 wire
- Copper ground bar standard
- Main and branch breaker handles can be padlocked in "ON" or "OFF" position
- Top feed panel standard with bottom feed optional
- Hinged cover, installed as standard
- Quick release, captivated coverbolts of 316 stainless steel

Standard Materials

- Enclosure: Copper-free aluminum (less than 4/10 of 1%)
- Main Breaker Handle: Copper-free aluminum
- Cover bolts: 316 grade stainless steel
- Flange Gasket "O" Ring: Buna-N Nitrile
- Branch Breaker Operators: Valox Thermoplastic Polyester handle molded onto 316 stainless steel shaft with neoprene "O" ring
- Hinges: Copper-free aluminum with stainless steel pin and hardware
- Mounting Lugs: 1/4" thick aluminum

Panel Selection Factors

Basic information required when specifying panelboards is as follows:

- Environment
- Service (Voltage/Frequency/Phase)
- Interrupting capacity
- AMP Rating of Main (Lugs only or Breaker)
- Branch Breaker (Type/Number of Poles/ Amperage)

Ordering Information

Specifying and ordering a complete panelboard assembly requires the selection of three components. (1) **Basic Panel** (2) **Branch Breaker** and (3) **Options** (if required). This method of cataloging permits a wide variety and maximizes circuit flexibility in our panelboard offering. Components supplied in each of these selections include:

- 1) **Basic Panelboard Enclosures** (page DE12)
 - Explosion-proof enclosure consisting of box and cover
 - Cover predrilled and plugged for maximum number of branch breaker handles (handles not supplied)

- Box supplied with conduit openings
- Main circuit breaker and external handle (when specified)

Panelboard internal chassis with buss bars but less branch circuit breakers

2) **Branch Circuit Breakers** (page DE15)

- Internal circuit breaker
- External handle mechanism with internal tripping mechanism
- Test pushbutton for GFI (when ordered)
- Lockout shield with on-off-trip-reset identification

3) **Options – Accessories** (page DE15)

Ordering Example

Specification is for a 3 phase 120/208 volt panel with 100 Amp main lugs complete with (4) single pole 20 Amp (2) double pole 20 Amp and (1) three pole 30 Amp branch breakers.

Branch Breaker Total =

- (4) 1 Pole = 4 Poles Total
- (2) 2 Pole = 4 Poles Total
- (1) 3 Pole = 3 Poles Total

Total 11 Branch Poles

Specification/Ordering Example

B7L20 - 312 - ML100 (Basic panelboard enclosure) with:

- (4) B7BLA1020 (1 Pole 20 Amp Branch)
- (2) B7BLA2020 (2 Pole 20 Amp Branch)
- (1) B7BLB3030 (3 Pole 30 Amp Branch)

Catalog Logic

See page DE16 for panelboard catalog number logic for basic enclosures.



LIGHTING PANELBOARDS

Classified – File E83969
See files for details or call Killark.
 Certified – File LR 11713

Class I, Div. 1 & 2, Groups B, C, D
Class I, Zones 1 & 2, Groups IIB+H₂, IIA
Class II, Div. 1 & 2, Groups E, F, G
Class III, Div. 1 & 2
NEMA 3, 4, 4x, 7 (B, C, D) 9 (E, F, G)

Cutler-Hammer type BA circuit breaker 1 - 2 or 3 pole.

Catalog numbers on this page are for the basic panelboard enclosure only with a panel interior chassis containing main lugs or main breaker as illustrated.

Internal branch breakers and external handles are NOT included in the basic enclosure catalog number and must be ordered as separate items.

Branch circuit loads

The interior panel chassis supplied in B7L panel is limited to a maximum of 140 amperes at any one connection point. Breakers of 50 thru 100 amps must be installed opposite breakers of smaller amperage so as not to exceed the 140 ampere limitation.

B7L PANEL WITHOUT MAIN BREAKER (MAIN LUGS ONLY) LESS BRANCH BREAKERS						
ELECTRICAL RATING	MAIN LUG RATING	NUMBER OF BRANCH POLES	CATALOG NUMBER BASIC ENCLOSURE AND CHASSIS	ENCLOSURE BOX SIZE	MAIN WIRE RANGE	LBS
Single phase 3 wire with solid neutral 120/240 VAC	100	12	B7L20 - 112 - ML100	A	E	140
	100	18	B7L29 - 118 - ML100	B	G	190
	225	18	B7L29 - 118 - ML225	B	F	190
	100	24	B7L29 - 124 - ML100	B	G	190
	225	24	B7L41 - 124 - ML225	C	F	250
	100	30	B7L41 - 130 - ML100	C	G	250
	225	30	B7L41 - 130 - ML225	C	F	250
	225	36	B7L41 - 136 - ML225	C	F	250
Three phase 4 wire with solid neutral 120/208 VAC	100	12	B7L20 - 312 - ML100	A	E	140
	100	18	B7L29 - 318 - ML100	B	G	190
	225	18	B7L29 - 318 - ML225	B	F	190
	100	24	B7L29 - 324 - ML100	B	G	190
	225	24	B7L41 - 324 - ML225	C	F	250
	100	30	B7L41 - 330 - ML100	C	G	250
	225	30	B7L41 - 330 - ML225	C	F	250
	225	36	B7L41 - 336 - ML225	C	F	250
	225	42	B7L41 - 342 - ML225	C	F	250

CIRCUIT BREAKER RATINGS			
TYPE	NO. OF POLES	VOLT	AMPERES SYMMETRICAL
BAB ^①	1	120	10,000 AIC
BAB ^①	2	120/240	10,000 AIC
BAB ^①	3	240	10,000 AIC
BABSWN ^①	1	120/240	10,000 AIC
BABSWN ^①	2	120/240	10,000 AIC
QBGF	1	120	10,000 AIC
QBGF	2	120/240	10,000 AIC
QBGFEP	1	120	10,000 AIC
QBGFEP	2	120/240	10,000 AIC
BAB*D ^②	1	120	10,000 AIC
BAB*D ^②	2	120/240	10,000 AIC

^① Type BAB also rated for 80V DC at 5,000 AIC.
^② Type BAB* D designed for HID lighting applications.

B7L PANEL WITH MAIN BREAKER LESS BRANCH BREAKERS								
ELECTRICAL RATING	MAIN BREAKER FRAME	MAIN BREAKER AND RATING	NUMBER OF BRANCH POLES	CATALOG NUMBER BASIC ENCLOSURE AND CHASSIS	ENCLOSURE BOX SIZE	MAIN WIRE RANGE	LBS	
Single phase 3 wire with solid neutral 120/240 VAC	EHD	100	12	B7L29 - 112 - MBE100	B	H	190	
	EHD	100	18	B7L41 - 118 - MBE100	C	H	250	
	EHD	100	24	B7L41 - 124 - MBE100	C	H	250	
	ED	225	24	B7L41 - 124 - MBC225	C	I	250	
	EHD	100	30	B7L41 - 130 - MBE100	C	H	250	
	ED	225	30	B7L41 - 130 - MBC225	C	I	250	
	ED	225	36	B7L50 - 136 - MBC225	D	I	300	
	ED	225	42	B7L50 - 142 - MBC225	D	I	300	
	Three phase 4 wire with solid neutral 120/208 VAC	EHD	100	12	B7L29 - 312 - MBE100	B	H	190
		EHD	100	18	B7L41 - 318 - MBE100	C	H	250
EHD		100	24	B7L41 - 324 - MBE100	C	H	250	
ED		225	24	B7L41 - 324 - MBC225	C	I	250	
EHD		100	30	B7L41 - 330 - MBE100	C	H	250	
ED		225	30	B7L41 - 330 - MBC225	C	I	250	
ED		225	36	B7L50 - 336 - MBC225	D	I	300	
ED		225	42	B7L50 - 342 - MBC225	D	I	300	

B7L PANEL WITH BACK FEED MAIN BREAKER LESS BRANCH BREAKERS							
ELECTRICAL RATING	MAIN BREAKER FRAME	MAIN BREAKER AND RATING	NUMBER OF BRANCH POLES	CATALOG NUMBER BASIC ENCLOSURE AND CHASSIS	ENCLOSURE BOX SIZE	MAIN WIRE RANGE	LBS
Single phase 3 wire with solid neutral 120/240 VAC	BAB	100	12	B7L29 - 112 - MBB100	B	J	190
	BAB	100	18	B7L29 - 118 - MBB100	B	J	190
	BAB	100	24	B7L41 - 124 - MBB100	C	J	250
	BAB	100	30	B7L41 - 130 - MBB100	C	J	250
Three phase 4 wire with solid neutral 120/208 VAC	BAB	100	12	B7L29 - 312 - MBB100	B	J	190
	BAB	100	18	B7L29 - 318 - MBB100	B	J	190
	BAB	100	24	B7L41 - 324 - MBB100	C	J	250
	BAB	100	30	B7L41 - 330 - MBB100	C	J	250

NOTE: Main breaker panel includes main breaker and its price in basic enclosure part number. Refer to page DE15 for branch breaker ordering information.



POWER PANELBOARDS



Class I, Div. 1 & 2, Groups B, C, D
 Class I, Zones 1 & 2, Groups IIB+H₂, IIA
 Class II, Div. 1 & 2, Groups E, F, G
 Class III, Div. 1 & 2
 NEMA 3, 4, 4x, 7 (B, C, D) 9 (E, F, G)

Classified – File E83969
 See files for details or call Killark.

FEATURES-SPECIFICATIONS

Cutler-Hammer Series “C” Circuit Breakers 1-2 or 3 pole.

Catalog numbers on this page are for the basic panelboard enclosure only with a panel interior chassis containing main lugs or main breaker as illustrated. **Internal branch breakers and external handles are NOT included in the basic enclosure catalog number and must be ordered as separate items.**

B7P CIRCUIT BREAKER RATINGS									
TYPE	NUMBER OF POLES	MAXIMUM VOLTS		AMPERES SYMMETRICAL					
		AC	DC	240AC	277AC	480AC	600AC	125DC	250DC
EHD	1	277	125	—	14000	—	—	10000	—
EHD	2&3	480	250	18000	—	14000	—	—	10000
FDB	2&3	600	250	18000	—	14000	14000	—	10000
HFD	2&3	600	250	—	65000	65000	25000	10000	22000

B7P PANEL WITHOUT MAIN BREAKER (MAIN LUGS ONLY) LESS BRANCH BREAKERS							
ELECTRICAL RATING	MAIN LUG RATING	NUMBER OF BRANCH POLES	CATALOG NUMBER ENCLOSURE AND CHASSIS	ENCLOSURE BOX SIZE	MAIN WIRE RANGE	LBS	KG
3 Phase 4 Wire with solid neutral up to 600 VAC	100	6	B7P20 - 306 - ML100	A	K	160	(73)
	100	12	B7P29 - 312 - ML100	B	K	210	(95)
	225	12	B7P29 - 312 - ML225	B	L	210	(95)
	225	18	B7P41 - 318 - ML225	C	L	270	(122)
	100	21	B7P41 - 321 - ML100	C	K	270	(122)
	225	27	B7P50 - 327 - ML225	D	M	320	(145)

B7P PANEL WITH MAIN BREAKER LESS BRANCH BREAKERS									
ELECTRICAL RATING	MAIN BREAKER			NUMBER OF BRANCH POLES	CATALOG NUMBER ENCLOSURE AND CHASSIS	ENCLOSURE BOX SIZE	MAIN WIRE RANGE	LBS	KG
	MAX. VOLTS	AMPS	FRAME						
3 Phase 4 Wire with Solid Neutral Up to 600 VAC	480	100	EHD	6	B7P29 - 306 - MBE100	B	K	216	(98)
	600	100	FDB	6	B7P29 - 306 - MBF100	B	K	216	(98)
	600	225	JDB	12	B7P41 - 312 - MBJ225	C	L	282	(128)
	480	100	EHD	15	B7P41 - 315 - MBE100	C	K	276	(125)
	600	100	FDB	15	B7P41 - 315 - MBF100	C	K	276	(125)
	600	225	JDB	18	B7P50 - 318 - MBE100	D	L	332	(151)
	480	100	EHD	21	B7P50 - 321 - MBE100	D	N	326	(148)
	600	100	FDB	21	B7P50 - 321 - MBF100	D	N	326	(148)

PANEL WITH BACK FEED MAIN BREAKER LESS BRANCH BREAKERS									
ELECTRICAL RATING	MAIN BREAKER			NUMBER OF BRANCH POLES	CATALOG NUMBER ENCLOSURE AND CHASSIS	ENCLOSURE BOX SIZE	MAIN WIRE RANGE	LBS	KG
	MAX. VOLTS	AMPS	FRAME						
3 Phase 4 Wire with solid neutral up to 600 VAC	480	100	EHD	9	B7P29 - 309 - MBE100	B	K	216	(98)
	600	100	FDB	9	B7P29 - 309 - MBF100	B	K	216	(98)
	480	100	EHD	18	B7P41 - 318 - MBE100	C	K	276	(125)
	600	100	FDB	18	B7P41 - 318 - MBF100	C	K	276	(125)
	480	100	EHD	24	B7P50 - 324 - MBE100	D	K	326	(148)
	600	100	FDB	24	B7P50 - 324 - MBF100	D	K	326	(148)

NOTE: Main breaker panel includes main breaker and its price in basic enclosure part number. Refer to page DE15 for branch breaker ordering information. See page DE16 for enclosure dimensions.

DISTRIBUTION

B7L/B7P SERIES



BRANCH BREAKERS ACCESSORIES / OPTIONS

BRANCH CIRCUIT BREAKERS								
NUMBER OF POLES PER BREAKER	TRIP AMP RATING	B7L SERIES LIGHTING PANEL					B7P SERIES POWER PANEL	
		BAB FRAME STANDARD	BAB FRAME HID HIGH INTENSITY DISCHARGE	BAB FRAME SWITCH NEUTRAL	QBGF GROUND FAULT 5MA	QBGP EQUIPMENT PROTECTION 30MA	EHD FRAME 480 VAC MAX.	FDB FRAME 600 VAC MAX.
(1) Single Phase 120 Volt	SPACE	B7BLA1000	B7BLD1000	—	B7BLC1000	B7BLE1000	B7BPK1000	—
	15	B7BLA1015	B7BLD1015	—	B7BLC1015	B7BLE1015	B7BPK1015	—
	20	B7BLA1020	B7BLD1020	—	B7BLC1020	B7BLE1020	B7BPK1020	—
	30	B7BLA1030	B7BLD1030	—	B7BLC1030	B7BLE1030	B7BPK1030	—
	40	B7BLA1040	B7BLD1040	—	B7BLC1040	B7BLE1040	B7BPK1040	—
	50	B7BLA1050	B7BLD1050	—	—	—	B7BPK1050	—
	60	B7BLA1060	B7BLD1060	—	—	—	B7BPK1060	—
	70	B7BLA1070	—	—	—	—	B7BPK1070	—
	90	—	—	—	—	—	B7BPK1090	—
	100	B7BLA1100	—	—	—	—	B7BPK1100	—
(2) Double Pole 120/240 Volt	SPACE	B7BLA2000	B7BLD2000	B7BLF2000	B7BLC2000	B7BLE2000	B7BPK2000	B7BPL2000
	15	B7BLA2015	B7BLD2015	B7BLF2015	B7BLC2015	B7BLE2015	B7BPK2015	B7BPL2015
	20	B7BLA2020	B7BLD2020	B7BLF2020	B7BLC2020	B7BLE2020	B7BPK2020	B7BPL2020
	30	B7BLA2030	B7BLD2030	B7BLF2030	B7BLC2030	B7BLE2030	B7BPK2030	B7BPL2030
	40	B7BLA2040	B7BLD2040	—	B7BLC2040	B7BLE2040	B7BPK2040	B7BPL2040
	50	B7BLA2050	B7BLD2050	—	B7BLC2050	B7BLE2050	B7BPK2050	B7BPL2050
	60	B7BLA2060	B7BLD2060	—	—	—	B7BPK2060	B7BPL2060
	70	B7BLA2070	—	—	—	—	B7BPK2070	B7BPL2070
	90	B7BLA2090	—	—	—	—	B7BPK2090	B7BPL2090
	100	B7BLA2100	—	—	—	—	B7BPK2100	B7BPL2100
(3) Three Pole 120/240 Volt	SPACE	B7BLB3000	—	B7BLF3000	—	—	B7BPK3000	B7BPL3000
	15	B7BLB3015	—	B7BLF3015	—	—	B7BPK3015	B7BPL3015
	20	B7BLB3020	—	B7BLF3020	—	—	B7BPK3020	B7BPL3020
	30	B7BLB3030	—	B7BLF3030	—	—	B7BPK3030	B7BPL3030
	40	B7BLB3040	—	—	—	—	B7BPK3040	B7BPL3040
	50	B7BLB3050	—	—	—	—	B7BPK3050	B7BPL3050
	60	B7BLB3060	—	—	—	—	B7BPK3060	B7BPL3060
	70	B7BLB3070	—	—	—	—	B7BPK3070	B7BPL3070
	90	B7BLB3090	—	—	—	—	B7BPK3090	B7BPL3090
	100	B7BLB3100	—	—	—	—	B7BPK3100	B7BPL3100
		110	—	—	—	—	—	B7BPL3110
	125	—	—	—	—	—	B7BPL3125	
	150	—	—	—	—	—	B7BPL3150	

MODIFICATIONS	
CATALOG NUMBER	DESCRIPTION
SU-3B-4X	Drain/Breather NEMA 4X/7 B,C,D
SU-10B-4X	Drain NEMA 4X/7 B,C,D
SU-11B-4X	Breather NEMA 4X/7 B,C,D
KIT-251	Grounding kit, 100 AMP
KIT-252	Grounding kit, 225 AMP
B7SF	Special baked epoxy finish
B7EYEBOLT	Eye bolts for ease of installation [Ⓢ]
B7ML225	Change 100 amp buss to 225 amp B7P series
B7MLBTM	Main lugs at bottom
B7SPNPT	Change standard conduit size and location
B7GSN	Kit to ground neutral bar

* To be ordered as separate item with notation on order for assembly into enclosure.

Ⓢ Lifting eyebolts are installed in two conduit openings located in top of box and are to be removed after installation.

Branch Breaker Notes:

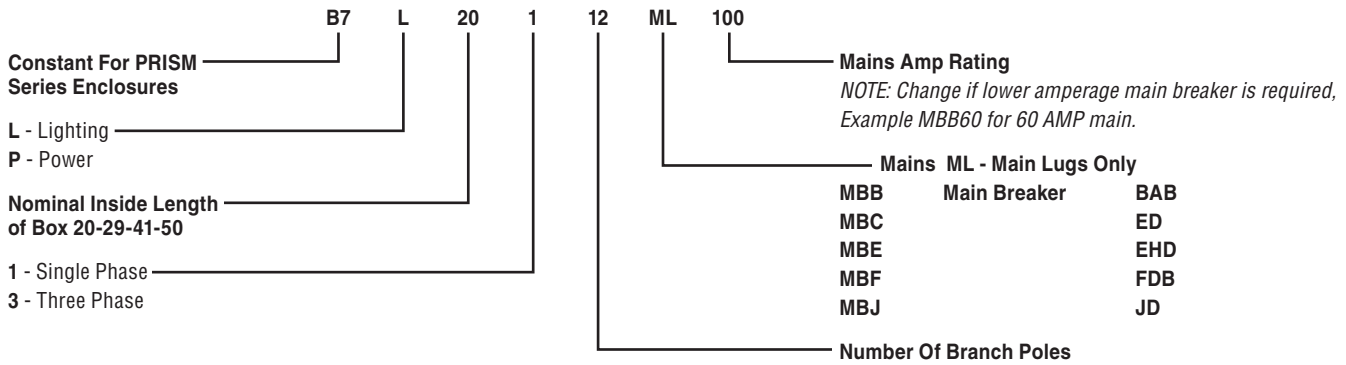
- 1) B7L panels are factory drilled for maximum number of single pole branch breaker handles and B7P for maximum number of 3 pole branch breaker handles as standard.
- 2) Part numbers illustrated above include external handle, trip mechanism, locking tab and internal breaker. Refer to page DE12 for complete ordering information and examples.
- 3) Space = External handle, shaft and trip mechanism installed to allow for future installation of breaker.
- 4) Ground Fault & Equipment protection breakers include external pushbutton for each breaker to test ground fault sensing circuit and the mechanical operation of breaker.
- 5) Switch Neutral Breaker note. A two pole breaker has one pole for breaking from main buss and one pole that breaks neutral. Three pole breaker consists of two poles for breaking from main buss and one pole that breaks neutral.



B7L/B7P SERIES

CATALOG LOGIC / WIRING / DATA DIMENSIONS

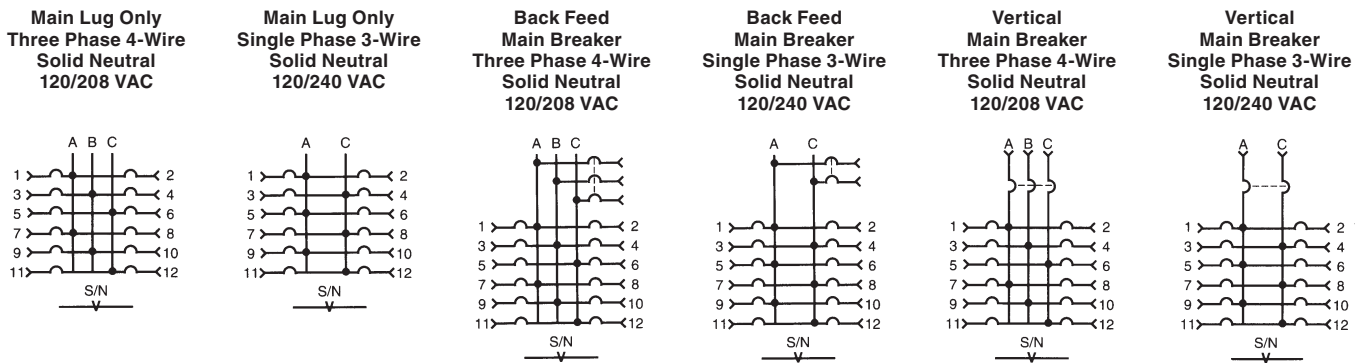
Catalog Logic – for basic Panelboard Enclosures



WIRE SIZES									
E	F	G	H	I	J	K	L	M	N
#12-#1	#6-250MCM	#12-1/0	#14-1/0	2/0-250MCM	#14-#1	#6-2/0	#6-4/0	#2-4/0	#2-2/0

Wiring Diagrams B7L Series

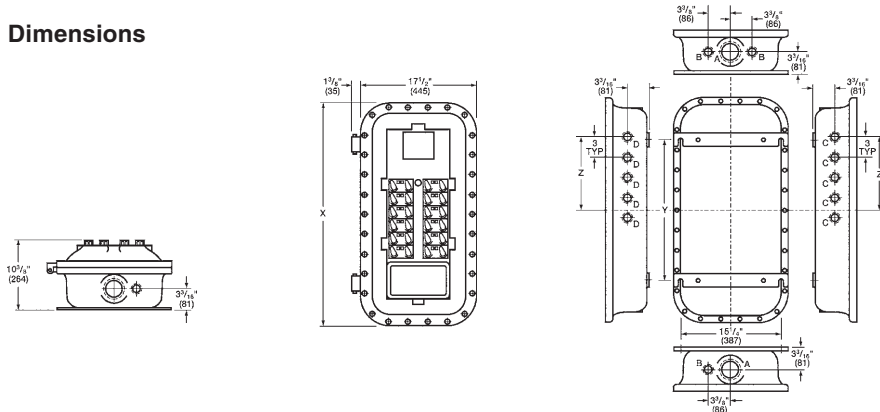
(Note: B7P Series are single column)



ENCLOSURE BOX SIZE		X	Y	CONDUIT SIZE		Z	CONDUIT QUANTITY			
LETTER	BASE BOX NUMBER ①			A	B, C, D		A	B	C	D
A	MXB-13207	24-3/4"(629)	13"(330)	2"	1"	6-7/8"(175)	2	3	3	4
B	MXB-13297	33-3/8"(848)	21"(533)	2-1/2"	1"	10-7/8"(276)	2	3	4	5
C	MXB-13417	45-3/8"(1153)	33"(838)	3"	1"	16-7/8"(429)	2	3	5	6
D	MXB-13507	54-3/8"(1381)	42"(1067)	3"	1"	21-3/8"(543)	2	3	6	7

① See pages DE13 and DE14 for complete enclosure ordering information.

Dimensions





FACTORY SEALED CIRCUIT BREAKER PANELBOARDS



Class I, Div. 2, Groups B, C, D
 Class I, Zone 2, Groups IIB+H₂, IIA
 Class II, Div. 2, Groups F, G
 Class III, Div. 1 & 2
 NEMA, CSA Type 3, 4 (4X Optional)



Classified – File E83969

Certified – File LR11713

FEATURES-SPECIFICATIONS**Applications**

- Hazardous areas due to the potential of explosive gas atmospheres, combustible dusts or easily ignited fibers or flyings and areas subjected to corrosive or harsh chemicals, weather or dampness
- Petroleum refineries, chemical or petrochemical facilities with indoor or outdoor processes
- Applications requiring overcurrent and short circuit protection of lighting, appliances heating or motor circuits

Features

- Factory Seal between breaker enclosure and termination box eliminates the need for external sealing
- Gasketed covers assure NEMA/CSA Type 4, 4X rated protection for hosedown and corrosion
- Standard Electrical Components: D2L–Cutler-Hammer QC Breakers D2CP–Cutler-Hammer GHC & GCH Breakers
- Main distribution block, branch terminal block, neutral and ground bar are located in termination enclosure
- Main Lugs. Mechanical solderless type, approved for CU or AL conductors
- Solid neutral standard. Single phase, 3 wire or three phase 4 wire
- Main and branch circuit breaker handles can be padlocked in “on” or “off” position

- Top or bottom feed panels available
- Breaker chamber hinged cover with quick release – captivated bolts
- Termination enclosure has hinged cover with quick release latch for easy opening
- Termination enclosure supplied without conduit openings for easy field punching of incoming and outgoing entries
- Line and load side of breakers in breaker chamber are factory wired to terminal blocks in termination enclosure and sealed at the factory
- Breaker enclosure is drilled and plugged for maximum number of circuits to permit field addition of unused branch spaces

Panel Selection Factors

- Basic information required when specifying panelboards is as follows:
- Service Requirements – Voltage, phases and frequency
- Interrupting capacity
- Amperage Rating of Main (Lugs only or Breaker)
- Branch Breaker Requirements
 - » Type
 - » Number
 - » Poles
 - » Amperage
 - » GFCI Requirements

Ordering Information

Specifying and ordering a complete panelboard assembly requires the selection of three components

1. Basic Panel
2. Branch Breakers
3. Modifications if Required

This method of cataloguing permits a wide variety and maximizes circuit flexibility in the Killark panelboard series.

Standard Materials

- Breaker Enclosure: Copper-free cast aluminum (less than 4/10 of 1%)
- Terminal enclosure: Steel powder coated. (Optional stainless steel for 4X ratings)
- Cover bolts: Type 316 stainless steel

MODIFICATIONS

SUFFIX NUMBER	DESCRIPTION
SU-3B-4X	Drain/Breather NEMA 4X/7 B,C,D
SU-10B-4X	Drain NEMA 4X/7 B,C,D
SU-11B-4X	Breather NEMA 4X/7 B,C,D
D2SF	Powder paint on breaker box
D2MLBTM	Invert with terminal box located on bottom
D2STST	Substitute with stainless steel termination box
B7GSN	Kit to ground neutral bar



FACTORY SEALED CIRCUIT BREAKER PANELBOARDS



Class I, Div. 2, Groups B, C, D
 Class I, Zone 2, Groups IIB+H₂, IIA
 Class II, Div. 2, Groups F, G
 Class III, Div. 1 & 2
 NEMA, CSA Type 3, 4 (4X Optional)

Classified – File E83969
 Certified – File LR11713

FEATURES-SPECIFICATIONS

Catalog Numbers on this page are for the basic Termination Enclosure with distribution, neutral, ground bar and terminal blocks plus a Breaker Enclosure with internal pan. Enclosures are connected together with factory poured sealing chambers and mounted on aluminum frame for wall mounting.

External breaker handles and internal branch breakers are not included and must be ordered as separate items for factory installation. (See page DE20)

D2L PANELBOARDS WITHOUT MAIN BREAKER (MAIN LUGS ONLY) LESS BRANCH BREAKERS

ELECTRICAL RATING	NUMBER OF BRANCH POLES	MAIN LUG RATING AMPS	CATALOG NUMBER BASIC ENCLOSURES	MAIN WIRE RANGE	PANEL SIZE
Single Phase 3 Wire with Solid Neutral 120/240 VAC	12	100	D2L-112-ML100	M	A
	24	225	D2L-124-ML225	N	B
	36	225	D2L-136-ML225	N	C
	42	225	D2L-142-ML225	P	D
Three Phase 4 Wire with Solid Neutral 120/208 VAC	12	100	D2L-312-ML100	M	A
	24	225	D2L-324-ML225	N	B
	36	225	D2L-336-ML225	N	C
	42	225	D2L-342-ML225	P	D

**D2L CIRCUIT BREAKER RATINGS
 CUTLER-HAMMER TYPE QC CIRCUIT
 BREAKERS**

TYPE	POLES	VOLTS	AMPERES SYMMETRICAL
QC	1	120	10,000 AIC
	2	120/240	
	3	240	
QCSWN	1	120/240	10,000 AIC
	2	120/240	
QCGF	1	120	10,000 AIC
	2	120/240	
QCGFEP	1	120	10,000 AIC
	2	120/240	
QC*D	1	120	10,000 AIC
QC*D	2	120/240	10,000 AIC

D2L PANELBOARDS WITH MAIN BREAKER LESS BRANCH BREAKERS

ELECTRICAL RATING	NUMBER OF BRANCH POLES	MAIN BREAKER		CATALOG NUMBER BASIC ENCLOSURES	MAIN WIRE RANGE	PANEL SIZE
		AMPS	FRAME			
Single Phase 3 Wire with Solid Neutral 120/240 VAC	10	100	QC	D2L-110-MBQ100	M	A
	22	100	QC	D2L-122-MBQ100	N	B
	34	100	QC	D2L-134-MBQ100	N	C
	42	225	ED	D2L-142-MBED225	N	D
Three Phase 4 Wire with Solid Neutral 120/208 VAC	9	100	QC	D2L-309-MBQ100	M	A
	21	100	QC	D2L-321-MBQ100	N	B
	33	100	QC	D2L-333-MBQ100	N	C
	42	225	ED	D2L-342-MBED225	N	D

} Back Fed
 } Back Fed

NOTE: To substitute a lower amperage main breaker change last three digits of catalog number to desired amperage.

Example: For a 50 amp main breaker part number = D2L-309-MBQ050

See page DE20 for Branch Breaker Selection

See page DE21 for Dimensions, Wire Range Chart and Wiring Diagrams.

Panels are constructed with Terminal Box on Top for Top Feed.

If Bottom Feed is required order modification D2MLBTM for inverted panel with Terminal Box on Bottom.

DISTRIBUTION

D2PC SERIES



FACTORY SEALED LIGHTING / POWER PANELBOARDS



Class I, Div. 2, Groups B, C, D
Class I, Zone 2, Groups IIB+H₂, IIA
Class II, Div. 2, Groups F, G
Class III, Div. 1 & 2
NEMA, CSA Type 3, 4 (4X Optional)



Classified – File E83969



Certified – File LR11713

FEATURES-SPECIFICATIONS

Catalog Numbers on this page are for the basic Termination Enclosure with distribution, neutral, ground bar and terminal blocks plus a Breaker Enclosure with internal pan. Enclosures are connected together with factory poured sealing chambers and mounted on aluminum frame for wall mounting.

External breaker handles and internal branch breakers are not included and must be ordered as separate items for factory installation. (See page DE20)

CUTLER-HAMMER CIRCUIT BREAKER RATINGS FOR D2PC PANEL									
TYPE	NUMBER OF POLES	MAXIMUM VOLTS		AMPERES SYMMETRICAL					
		AC	DC	277 VAC	347 VAC	277/480 VAC	347/600 VAC	125 VDC	250 VDC
GHC	1	277	125	14,000		—	—	14,000	—
	2 & 3	277/480Y	250	14,000		14,000	—	—	14,000
GCH	1	347	125	—	10,000	—	—	14,000	—
	2 & 3	347/600Y	250	—	—	—	10,000	—	14,000

NOTE: GCH Breakers are CSA only.

PANELBOARDS WITHOUT MAIN BREAKER (MAIN LUGS ONLY) LESS BRANCH BREAKERS					
ELECTRICAL RATING	NUMBER OF BRANCH POLES	MAIN LUG RATING AMPS	CATALOG NUMBER BASIC ENCLOSURES	MAIN WIRE RANGE	PANEL SIZE
Three Phase 4 Wire with Solid Neutral up to 480Y/277 VAC 600Y/347 VAC	12	100	D2PC-312-ML100	M	E
	24	225	D2PC-324-ML225	N	F
	36	225	D2PC-336-ML225	N	G
	42	225	D2PC-342-ML225	P	H

PANELBOARDS WITH MAIN BREAKER LESS BRANCH BREAKERS							
ELECTRICAL RATING	NUMBER OF BRANCH POLES	MAIN BREAKER			CATALOG NUMBER BASIC ENCLOSURES	MAIN WIRE RANGE	PANEL SIZE
		MAX VOLTS	AMPS	FRAME			
Three Phase 4 Wire with Solid Neutral 480Y/277 VAC 600Y/347 VAC	9	480Y/277	100	GHC	D2PC-309-MBGH100	M	E
	9	600Y/347	100	GCH	D2PC-309-MBGC100	M	E
	21	480Y/277	100	GHC	D2PC-321-MBGH100	N	F
	21	600Y/347	100	GCH	D2PC-321-MBGC100	N	F
	33	480Y/277	100	GHC	D2PC-333-MBGH100	N	G
	33	600Y/347	100	GCH	D2PC-333-MBGC100	N	G
	42	600Y/347	225	JDB	D2PC-342-MBJ225	N	H

Note special wiring conditions: GHC 480Y/277 circuit breakers are not suitable for 3 phase Delta (480)

GCH 600Y/347 circuit breakers are not suitable for 3 phase Delta (600)

GCH Rating is for CSA only not UL.

NOTE: To substitute a lower amperage main breaker change last three digits of catalog number to desired amperage.

Example: For a 50 amp main breaker part number = D2PC-309-MBGH050

See page DE20 for Branch Breaker Selection

See page DE21 for Dimensions, Wire Range Chart and Wiring Diagrams.

Panels are constructed with Terminal Box on Top for Top Feed.

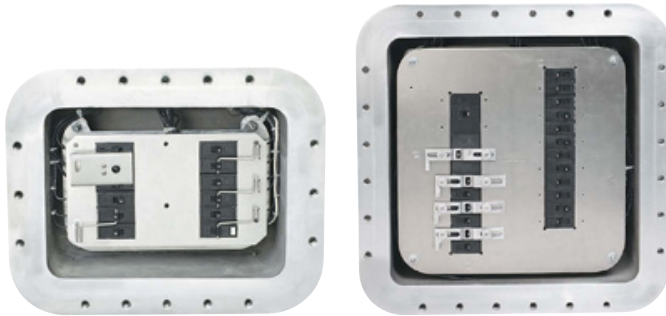
If Bottom Feed is required order modification D2MLBTM for inverted panel with Terminal Box on Bottom.



600/480V Factory Sealed Power Panels available up to 42 circuits (MLO) as shown. Consult factory for ordering information.



FACTORY SEALED CIRCUIT BREAKER PANELBOARDS



Class I, Div. 2, Groups B, C, D
 Class I, Zone 2, Groups IIB+H₂, IIA
 Class II, Div. 2, Groups F, G
 Class III, Div. 1 & 2
 NEMA, CSA Type 3, 4 (4X Optional)

Classified – File E83969
 Certified – File LR11713

FEATURES-SPECIFICATIONS

BRANCH CIRCUIT BREAKER SELECTION FOR D2L & D2PC FACTORY SEALED PANELBOARDS									
NUMBER OF POLES PER BREAKER	TRIP AMP RATING	CATALOG NUMBER							
		D2L SERIES LIGHTING PANEL					D2PC SERIES POWER PANEL		
		QC FRAME STANDARD	QC FRAME HID HIGH INTENSITY DISCHARGE	QC FRAME SWITCHED NEUTRAL	QCFG GROUND FAULT 5 MA	QCGFEP EQUIPMENT PROTECTION 30 MA	GHC FRAME 277/480Y VAC MAX	GHCHID FRAME 277/480Y HIGH INTENSITY DISCHARGE	GCH FRAME 347/600Y VAC MAX
(1) Single Pole	Space [⊙]	D2BLA1000	D2BLD1000	—	D2BLC1000	D2BLE1000	D2BGHC1000	D2BGHCD1000	D2BGCH1000
	15	D2BLA1015	D2BLD1015	—	D2BLC1015	D2BLE1015	D2BGHC1015	D2BGHCD1015	D2BGCH1015
	20	D2BLA1020	D2BLD1020	—	D2BLC1020	D2BLE1020	D2BGHC1020	D2BGHCD1020	D2BGCH1020
	30	D2BLA1030	D2BLD1030	—	D2BLC1030	D2BLE1030	D2BGHC1030	—	D2BGCH1030
	40	D2BLA1040	D2BLD1040	—	D2BLC1040	D2BLE1040	D2BGHC1040	—	D2BGCH1040
	50	D2BLA1050	D2BLD1050	—	—	D2BLE1050	D2BGHC1050	—	D2BGCH1050
	60	D2BLA1060	D2BLD1060	—	—	—	D2BGHC1060	—	D2BGCH1060
	70	D2BLA1070	—	—	—	—	D2BGHC1070	—	D2BGCH1070
	90	D2BLA1090	—	—	—	—	D2BGHC1090	—	D2BGCH1090
100	D2BLA1100	—	—	—	—	D2BGHC1100	—	D2BGCH1100	
(2) Double Pole	Space [⊙]	D2BLA2000	D2BLD2000	D2BLF2000	D2BLC2000	D2BLE2000	D2BGHC2000	—	D2BGCH2000
	15	D2BLA2015	D2BLD2015	D2BLF2015	D2BLC2015	D2BLE2015	D2BGHC2015	—	D2BGCH2015
	20	D2BLA2020	D2BLD2020	D2BLF2020	D2BLC2020	D2BLE2020	D2BGHC2020	—	D2BGCH2020
	30	D2BLA2030	D2BLD2030	D2BLF2030	D2BLC2030	D2BLE2030	D2BGHC2030	—	D2BGCH2030
	40	D2BLA2040	D2BLD2040	—	D2BLC2040	D2BLE2040	D2BGHC2040	—	D2BGCH2040
	50	D2BLA2050	D2BLD2050	—	D2BLC2050	D2BLE2050	D2BGHC2050	—	D2BGCH2050
	60	D2BLA2060	D2BLD2060	—	—	—	D2BGHC2060	—	D2BGCH2060
	70	D2BLA2070	—	—	—	—	D2BGHC2070	—	D2BGCH2070
	90	D2BLA2090	—	—	—	—	D2BGHC2090	—	D2BGCH2080
100	D2BLA2100	—	—	—	—	D2BGHC2100	—	D2BGCH2100	
(3) Three Pole	Space [⊙]	D2BLA3000	—	D2BLF3000	—	—	D2BGHC3000	—	D2BGCH3000
	15	D2BLA3015	—	D2BLF3015	—	—	D2BGHC3015	—	D2BGCH3015
	20	D2BLA3020	—	D2BLF3020	—	—	D2BGHC3020	—	D2BGCH3020
	30	D2BLA3030	—	D2BLF3030	—	—	D2BGHC3030	—	D2BGCH3030
	40	D2BLA3040	—	—	—	—	D2BGHC3040	—	D2BGCH3040
	50	D2BLA3050	—	—	—	—	D2BGHC3050	—	D2BGCH3050
	60	D2BLA3060	—	—	—	—	D2BGHC3060	—	D2BGCH3060
	70	D2BLA3070	—	—	—	—	D2BGHC3070	—	D2BGCH3070
	90	D2BLA3090	—	—	—	—	D2BGHC3090	—	D2BGCH3090
100	D2BLA3100	—	—	—	—	D2BGHC3100	—	D2BGCH3100	

NOTES:

- Above part numbers include external handle, trip mechanism, locking tab and internal branch circuit breaker.
 - Refer to page DE17 for complete ordering information and examples.
 - Refer to pages DE18 and DE19 for maximum voltage and ratings of circuit breakers.
 - Space = External handle, trip mechanism installed to allow for future installations of breakers.
 - Ground Fault and Equipment protection breakers include external button for test purpose.
 - 15 and 20 ampere, 1 pole GHCHID are SWD rated.
- ⊙ Handle only.

DISTRIBUTION

D2L/D2PC SERIES



FACTORY SEALED CIRCUIT BREAKER PANELBOARDS



Class I, Div. 2, Groups B, C, D
Class I, Zone 2, Groups IIB+H₂, IIA
Class II, Div. 2, Groups F, G
Class III, Div. 1 & 2
NEMA, CSA Type 3, 4 (4X Optional)

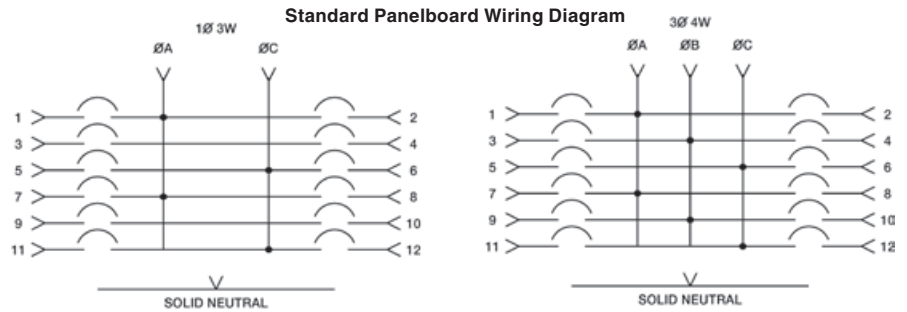


Classified – File E83969

Certified – File LR11713

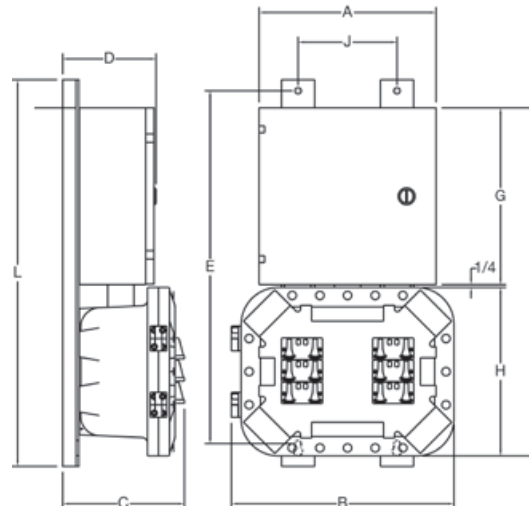
FEATURES-SPECIFICATIONS

WIRE RANGE CHART	
REFERENCE LETTER	MAIN WIRE RANGE
M	2/0-#14AWG
N	350MCM-#6AWG
P	400MCM-#6AWG



DIMENSIONS FOR PANELS WITH STANDARD STEEL PAINTED TERMINAL ENCLOSURES											
PANEL SIZE	MAX. CIRCUITS	A	B	C	D	E	F	G	H	J	L
A	12	16" (406)	20-1/8" (511)	11" (279)	8-7/16" (214)	33-27/32" (860)	31-1/2" (800)	16" (406)	15-1/4" (387)	8-15/16" (227)	35-3/8" (899)
B	24	20" (508)	21-1/4" (565)	11-7/32" (285)	10-7/16" (265)	46-31/32" (1193)	44-5/8" (1133)	24" (610)	20-3/8" (518)	10-15/16" (278)	48-1/2" (1232)
C	36	20" (508)	22-1/8" (587)	14-1/16" (357)	10-7/16" (265)	55-27/32" (1418)	53-1/2" (1359)	24" (610)	29-1/4" (743)	11-3/8" (289)	57-3/8" (1457)
D	42	24" (610)	23-3/16" (589)	14-3/8" (365)	10-7/16" (265)	67" (1702)	64-5/8" (1641)	24" (610)	40-3/8" (1026)	13-1/4" (337)	68-17/32" (1741)
E	12	16" (406)	23-1/4" (591)	11-21/32" (296)	8-7/16" (214)	35" (889)	32-5/8" (829)	16" (406)	16-3/8" (416)	12-7/8" (327)	36-1/2" (927)
F	24	20" (508)	24-1/8" (613)	12-1/16" (306)	10-7/16" (265)	49-27/32" (1241)	47-1/2" (1207)	24" (610)	23-1/4" (591)	13-3/8" (340)	51-3/8" (1305)
G	36	20" (508)	23-3/16" (589)	13-25/32" (350)	10-7/16" (265)	54-31/32" (1396)	52-5/8" (1337)	24" (610)	28-3/8" (721)	13" (330)	56-1/2" (1435)
H	42	24" (610)	23-3/16" (589)	14-3/8" (365)	10-7/16" (265)	67" (1702)	64-5/8" (1641)	24" (610)	40-3/8" (1026)	13-1/4" (337)	68-17/32" (1741)

DIMENSION CHANGE FOR PANELS WITH ALTERNATE TERMINAL ENCLOSURES		
PANEL SIZE	D2 STAINLESS STEEL OPTION	
	A	G
A	20 (508)	16 (406)
B	20 (508)	24 (610)
C	20 (508)	24 (610)
D	24 (610)	24 (610)
E	20 (508)	16 (406)
F	20 (508)	24 (610)
G	20 (508)	24 (610)
H	24 (610)	24 (610)





IEC/NEC CIRCUIT BREAKER PANELBOARDS



ATEX Certified

- #UL886 – Outlet Boxes and Fittings for use in Hazardous (Classified) Locations. File E10514
- #UL698 & #UL1203 – Explosion Proof and Dust Ignition Proof Electrical Equipment. Files #E83969 & E12379
- #C22.2 No. 30-M1986 – Explosion Proof Enclosure for use in Class I Hazardous Locations. File #LR11716

Class I, Div. 1 & 2, Groups B[Ⓢ],C,D
Class I, Zones 1 & 2, Groups IIB+H₂, IIA
Class II, Div. 1 & 2, Groups E,F,G
Class III, Div. 1 & 2
NEMA 3, 4, 4X, 7(B,C,D), 9(E,F,G)
CENELEC/ATEX/IEC - Ex
Ex d IIB + H2 T5 or T6
Ex tD A21 IP66
Ta < +60° C

CENELEC II 2 GD

PTB 07 ATEX 1025U (Empty Housing)
 PTB 07 ATEX 1024x (Enclosures w/Controls)
 IEC Ex 07.0022U
 IEC Ex 07.0023



FEATURES-SPECIFICATIONS

Introduction

New from Killark are IEC rated panelboards with type UL 489 series miniature circuit breakers (MCB) and bus bar system.

For the world wide market, the breakers carry UL, CSA, IEC, CE and many other agency approvals and certifications.

Available as 6, 12, 18, 24, 36, 54 or 72 circuits with main breaker 6, 12, 18, 36, 54, 72 or 90 main lug only.

Consult factory for specific needs.

Applications

- Locations made hazardous due to the presence of flammable gases or vapors, combustible dust, or easily ignitable fibers and flyings, and areas which are subject to corrosion, weather and dampness
- Petroleum Refineries, Chemical and Petrochemical plants with indoor and outdoor processes
- **Global applications (ATEX) Enclosures are available for global applications with “CEN” suffix. Assemblies that are modified to CENELEC/ATEX standards maintain their North American certifications**



w/main breaker



w/o main breaker

Features

- Copper-Free Cast Aluminum Construction. High strength, lighter in weight, corrosion resistant
- Fewer Cover Bolts. Computer-aided design lessens the number of cover bolts by eliminating corner bolts. Reduces installation and maintenance time
- Gasketed covers assure NEMA/CSA Type 4, 4X rated protection for hosedown and corrosion
- Main distribution block, branch terminal block, neutral and ground bar are located in termination enclosure
- Main Lugs. Mechanical solderless type, approved for CU or AL conductors
- Solid neutral standard. Single phase, 3 wire or three phase 4 wire
- Main and branch circuit breaker handles can be padlocked in “on” or “off” position

Panel Selection Factors

- Basic information required when specifying panelboards is as follows:
- Service Requirements – Voltage, phases and frequency
- Interrupting capacity
- Amperage Rating of Main (Lugs only or Breaker)
- Branch Breaker Requirements
 - » Type
 - » Number
 - » Poles
 - » Amperage
 - » RDC Requirements

Catalog Logic

See page DE23 for panelboard catalog number logic for basic enclosures.

SUFFIX NUMBER	DESCRIPTION
SU-3B-4X	Drain & Breather installed, NEMA 4X/7 BCD
SU-10B-4X	Drain installed, NEMA 4X/7 BCD
SU-11B-4X	Breather installed NEMA 4X/7 BCD
SU-3ATEX	Drain & Breather installed ATEX Group B
EB	Eyebolt, Qty of 2
TP	Toe Plate (recommended for larger panels)
GS150	150 Amp Ground Strap
SU1	Stainless steel external hardware NEMA 4X
SU9PEEEX	Grey powder polyester outer surface
SU9PEIO	Grey powder polyester in & out surface
SU9PESEX	Specify color outer surface (RAL number)
SU14	Fungus proofing inner surface
SU93	Do not paint

[Ⓢ] Conduits must be sealed within 18” for Group B applications.

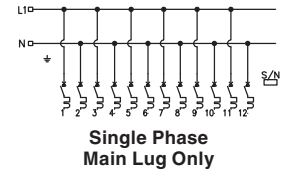
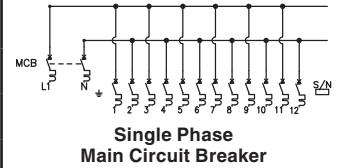
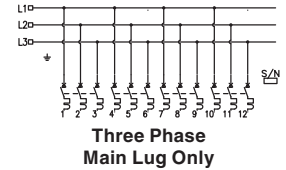
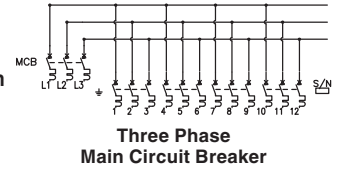
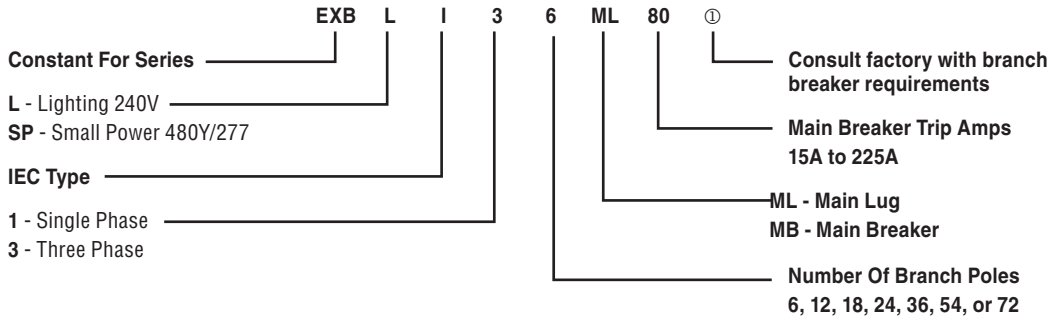


DISTRIBUTION

EXBLI/EXBSPI SERIES

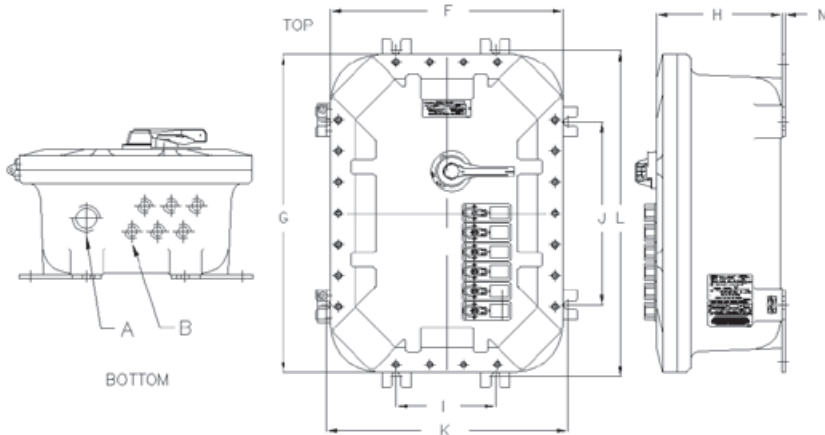
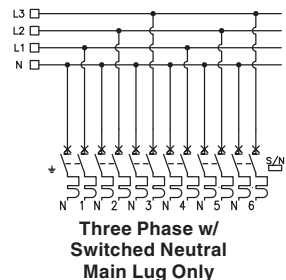
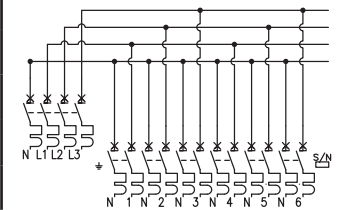
IEC CIRCUIT BREAKER PANELBOARDS

Catalog Logic – for basic IEC Panelboard Enclosures



EXB DIMENSIONS MAIN BREAKER														
CATALOG NUMBER	# OF CIRCUITS W/MAIN BREAKER	STD CONDUITS AT BOTTOM (NPT)				EXTERNAL DIMENSION (IN)				MOUNTING DIMENSIONS (INCHES)				LBS (KG)
		A	B	QTY B	QTY B RH SIDE	F	G	H	I	J	K	L	M	
EXB-12126 N34	6	1-1/2"	3/4"	3	—	16.38 (416)	13.38 (340)	8.69 (221)	6.94 (176)	6.94 (176)	14.94 (379)	14.94 (379)	0.25 (6)	112 (50.80)
EXB-14146 N34	12	1-1/2"	3/4"	6	—	19.25 (489)	19.25 (489)	9.40 (239)	9.00 (229)	9.00 (229)	17.00 (432)	17.00 (432)	0.25 (6)	160 (72.57)
EXB-16166 N34	18	1-1/2"	3/4"	9	—	20.38 (518)	20.38 (518)	9.19 (233)	10.94 (278)	10.94 (278)	18.94 (481)	18.94 (481)	0.25 (6)	195 (88.45)
EXB-18186 N34	24	1-1/2"	3/4"	12	—	23.25 (591)	23.25 (591)	10 (254)	13.38 (340)	13.38 (340)	21.38 (543)	21.38 (543)	0.25 (6)	256 (116.12)
EXB-18248 N34	36	1-1/2"	3/4"	18	—	22.38 (568)	28.38 (721)	11.75 (298)	13 (330)	19 (483)	21 (533)	27 (686)	0.25 (6)	290 (131.54)
EXB-18368 N34	54	2-1/2"	3/4"	20	7	22.38 (568)	40.38 (1026)	12.38 (314)	13.25 (337)	31.5 (800)	21 (533)	39.5 (1003)	0.25 (6)	440 (199.58)
EXB-24368 N34	72	2-1/2"	3/4"	30	6	29.25 (743)	41.25 (1048)	12.4 (315)	19.56 (497)	31.56 (802)	27.56 (700)	39.56 (1005)	0.25 (6)	560 (254.01)

EXB DIMENSIONS MAIN LUG ONLY														
CATALOG NUMBER	# OF CIRCUITS MAIN LUG ONLY	STD CONDUITS AT BOTTOM (NPT)				EXTERNAL DIMENSION (IN)				MOUNTING DIMENSIONS (INCHES)				LBS (KG)
		A	B	QTY B	QTY B RH SIDE	F	G	H	I	J	K	L	M	
EXB-8106 N34	6	1-1/2"	3/4"	3	—	12.32 (313)	14.32 (364)	8.32 (211)	N/A	8.00 (203)	9.88 (251)	N/A	0.25 (6)	112 (50.80)
EXB-8126 N34	12	1-1/2"	3/4"	6	—	13.25 (337)	17.25 (438)	8.70 (221)	3.82 (97)	7.82 (199)	10.38 (264)	14.38 (365)	0.25 (6)	160 (72.57)
EXB-12186 N34	18	1-1/2"	3/4"	9	—	16.38 (416)	22.38 (568)	9.06 (230)	6.94 (176)	12.88 (327)	14.94 (379)	20.88 (530)	0.25 (6)	195 (88.45)
EXB-12186 N34	24	1-1/2"	3/4"	12	—	16.38 (416)	22.38 (568)	9.06 (230)	6.94 (176)	12.88 (327)	14.94 (379)	20.88 (530)	0.25 (6)	256 (116.12)
EXB-18186 N34	36	1-1/2"	3/4"	16	2	23.25 (591)	23.25 (591)	10 (254)	13.38 (340)	13.38 (340)	21.38 (543)	21.38 (543)	0.25 (6)	290 (131.54)
EXB-18368 N34	54	2-1/2"	3/4"	20	7	22.38 (568)	40.38 (1026)	12.38 (314)	13.25 (337)	31.5 (800)	21 (533)	39.5 (1003)	0.25 (6)	440 (199.58)
EXB-24368 N34	72	2-1/2"	3/4"	18	18	29.25 (743)	41.25 (1048)	12.4 (315)	19.56 (497)	31.56 (802)	27.56 (700)	39.56 (1005)	0.25 (6)	560 (254.01)





CIRCUIT BREAKER LOAD CENTERS



Class I, Div. 1 & 2, Groups B, C, D
 Class I, Zones 1 & 2, Groups IIB+H₂, IIA
 Class II, Div. 1 & 2, Groups E, F, G
 Class III
 NEMA 3R, 7 (B, C, D) 9 (E, F, G)

UL **UL** LISTED Listed - File E83969
 See files for details or call Killark.

FEATURES-SPECIFICATIONS

Applications

- Indoor or outdoor hazardous areas where flammable gases or vapors, combustible dusts, or easily ignitable fibers or flyings may be present
- Provides overcurrent and short circuit protection of branch lighting, heating and appliance circuits

Features

- Compact rectangular enclosure with threaded cover allows easy access
- GCBB/2GCBB provided with two 3/4"-14 NPT drilled and tapped conduit openings, one top and one bottom
- 3GCBB provided with three 3/4"-14 NPT drilled and tapped conduit openings, one top and two bottom
- 4GCBB provided with four 3/4"-14 NPT drilled and tapped conduit openings, two top and two bottom
- Cutler-Hammer Type QC Quicklag Circuit Breakers (These Assemblies include the Breakers as indicated)
- Push pull handle mechanism operates circuit breakers
- Handle mechanism supplied as standard with "Lockout" in off position
- Enclosures are made from copperfree cast aluminum alloy (less than 4/10 of 1%)
- Special combinations of breaker amperage are available, consult factory for details

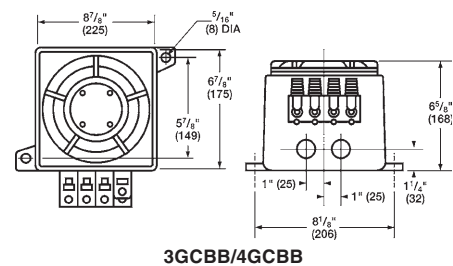
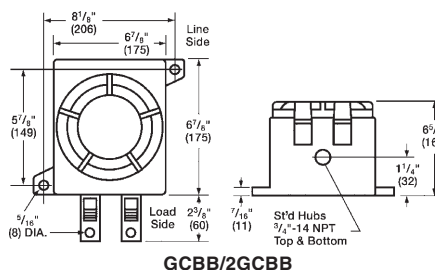
GCBB 15/40A TRIP QUICKLAG				TRIP AMPS	LBS	KG
CATALOG NUMBER						
ONE 1-POLE 120 VOLTS AC	ONE 2-POLE 120/240 VOLTS AC	ONE 3-POLE 240 VOLTS AC	TWO 1-POLE 120/240 VOLTS AC			
GCBB-15Q1	GCBB-15Q2	GCBB-15Q3	2GCBB-15Q1	15	12	(5.44)
GCBB-20Q1	GCBB-20Q2	GCBB-20Q3	2GCBB-20Q1	20	12	(5.44)
GCBB-30Q1	GCBB-30Q2	GCBB-30Q3	2GCBB-30Q1	30	12	(5.44)
GCBB-40Q1	GCBB-40Q2	GCBB-40Q3	2GCBB-40Q1	40	12	(5.44)
GCBB-1Q	GCBB-2Q	GCBB-2Q	2GCBB-1Q	Enclosure only	11	(4.99)

GCBB 15/40A TRIP QUICKLAG				TRIP AMPS	LBS	KG
CATALOG NUMBER						
THREE 1-POLE 120 VOLTS AC	FOUR 1-POLE 120 VOLTS AC	TWO 2-POLE 120/240 VOLTS AC	ONE 1-POLE ONE 3-POLE 120/240 VOLTS AC			
3GCBB-15Q1	4GCBB-15Q1	2GCBB-15Q2	2GCBB-15Q13	15	12	(5.44)
3GCBB-20Q1	4GCBB-20Q1	2GCBB-20Q2	2GCBB-20Q13	20	12	(5.44)
3GCBB-30Q1	4GCBB-30Q1	2GCBB-30Q2	2GCBB-30Q13	30	12	(5.44)
3GCBB-40Q1	4GCBB-40Q1	2GCBB-40Q2	2GCBB-40Q13	40	12	(5.44)
3GCBB-1Q	4GCBB-1Q	2GCBB-2Q	2GCBB-13Q	Enclosure only	11	(4.99)

MODIFICATIONS	
SUFFIX NO.	DESCRIPTION
SU3	Drain and breather (NEMA 7, CD)
SU3B	Drain and breather installed (NEMA 7, BCD)
KIT-251	150 amp ground lug
KIT-252	250 amp ground lug
SU17	Solid neutral

INTERRUPTING RATINGS			
FRAME SIZE	VOLTAGE	AMPS	
		ASYMMETRICAL	SYMMETRICAL
QC	120/240 VAC	10,000	10,000
QC	240 VAC	10,000	10,000
QC	24/48 DC	5,000	5,000
QC	62/80 DC	3,800	3,800

Dimensions



DISTRIBUTION

GFCS SERIES



GROUND FAULT CONTROL STATION (FACTORY SEALED)



Class I, Div. 1 & 2, Groups B, C, D
Class I, Zones 1 & 2, Groups IIB+H₂, IIA
Class II, Div. 1 & 2, Groups E, F, G
Class III, Div. 1 & 2
NEMA 3, 7 (B, C, D) 9 (E, F, G)

Listed - File E83969

Certified - File LR061895-2

FEATURES-SPECIFICATIONS

Applications

GFCS Series of Ground Fault Control Stations are used for the additional safety of personnel, and for equipment protection in remote areas.

Features

- Factory Sealed Ground Fault Chamber. (Assemblies in Group B areas must be sealed within 6" of enclosure. Other area classifications do not require the use of seals)
- 1" NPT top and bottom conduit openings
- External Push-to-Test Button and Pilot Light for monitoring
- On-Off-Trip-Reset External Handle can be locked in On-Off positions
- 5ma Ground Fault Circuit Breaker for People Protection. 30ma Ground Fault circuit Breaker for Equipment Protection and heat tracing circuits
- Electrical Rating-120 VAC (single pole) 120/240 VAC (two pole) (10,000 AIC)

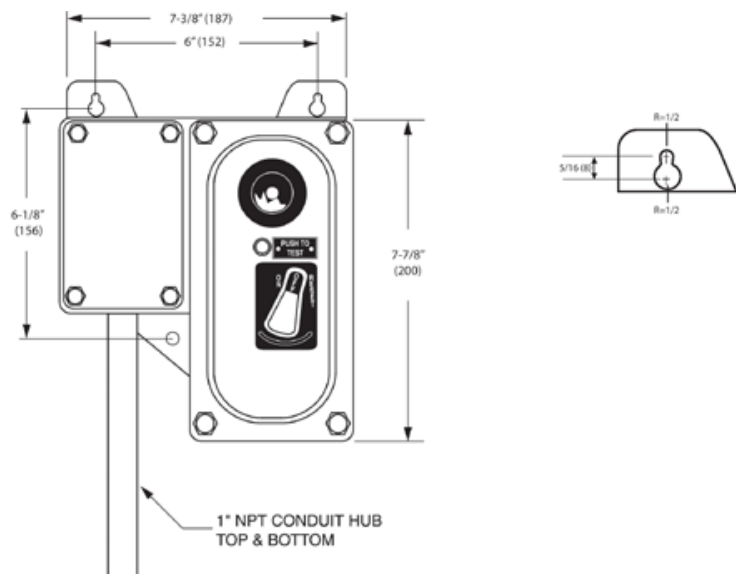
Material/Finish

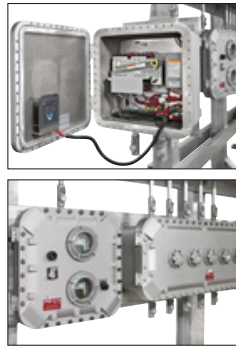
- Enclosure: Copper-free cast aluminum (less than 4/10 of 1%)
- External Hardware: Stainless Steel
- Standard Finish: Electrostatically applied gray powder epoxy polyester finish

GFSC GROUND FAULT CONTROL STATION					
CATALOG NUMBER	NUMBER OF POLES	MILLIAMP TRIP	BREAKER AMPERAGE	LBS	KG
GFCS05151	1	5	15	13	5.89
GFCS05201	1	5	20	13	5.89
GFCS05301	1	5	30	13	5.89
GFCS30151	1	30	15	13	5.89
GFCS30201	1	30	20	13	5.89
GFCS30301	1	30	30	13	5.89
GFCS05152	2 ^①	5	15	13	5.89
GFCS05202	2 ^①	5	20	13	5.89
GFCS05302	2 ^①	5	30	13	5.89
GFCS30152	2 ^①	30	15	13	5.89
GFCS30202	2 ^①	30	20	13	5.89
GFCS30302	2 ^①	30	30	13	5.89

^① 2P Units are for 120/240V or 120/208Y Grounded Power Supply Systems ONLY.
 Do NOT use with Delta supply systems

Dimensions





Class I, Div. 1 & 2, Groups B, C, D
 Class I, Zones 1 & 2, Groups IIB+H₂, IIA
 Class II, Div. 1 & 2, Groups E, F, G
 Class III, Div. 1 & 2
 NEMA 3, 4X, 7 (B, C, D) 9 (E, F, G)

Compliances

- All wiring is in accordance with current NEC requirements
- Each enclosure carries at minimum one of the following



Optional Components

- Circuit breakers
- Automatic Transfer Switch
- Motor Starters
- Contractors
- Junction Boxes
- Control Stations
- Meter/Instrument Enclosures
- Ground Detection
- Panelboards
- Welding and Convenience Receptacles
- Photo Cells
- Light Fixtures
- Transformers
- Space Heaters

FEATURES-SPECIFICATIONS

Applications

- Totally wired motor control center
- Hazardous locations due to the presence of flammable gases or vapors, combustible dust or easily ignitable fibers and flyings, and areas subject to corrosion, weather and dampness
- Petroleum refineries, chemical and petrochemical plants with indoor and outdoor processes
- Applications requiring overcurrent and short circuit protection of lighting, appliances, heating and motor circuits

Features

- NEMA 3, 4X (optional) rated for protection from hose directed water and corrosion
- Completely assembled and wired for customer connections to load side of starters and breakers
- Single sided or double sided assemblies per customer specification
- Killark components supplied include series EXB, B7C, B70, D2L, B7L, GR, HKB, D2P, B7P, EZ, VM, EM, ENY, EYS and others

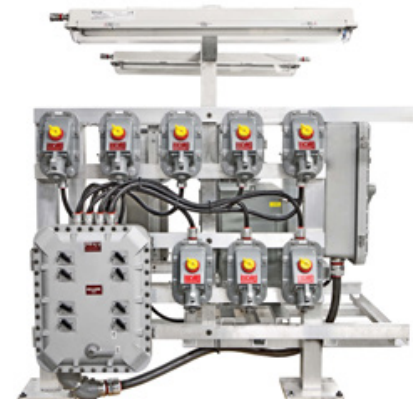
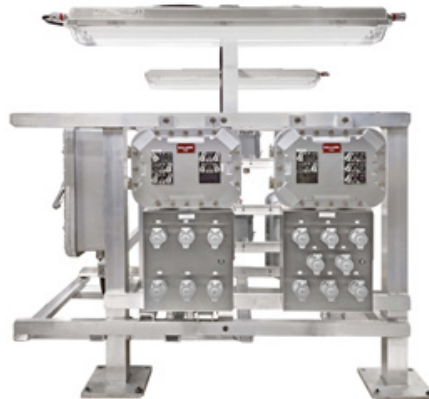
Standard Materials

- Enclosures: Copper-free aluminum (less than 4/10 of 1%)
- Bus Enclosure (when supplied) is painted steel or stainless steel
- Frame: Steel (Hot Dipped Galvanized) or Aluminum. All welded construction
- Bus Bars: Copper, bare or insulated

Ordering Information

- Supply one line diagram or bill of material and Killark will do the rest. Assembly drawing and wiring diagram will be supplied for customer approval.

Basic Data Required	
Class _____ Div. _____	GRPS. _____
NEMA Ratings for BUS _____	
Incoming Voltage _____	
Incoming Amperage _____	
Wire: 3w/GND _____	4w/GND _____
Framing: Single Side _____	
Double Side _____	
Material: Steel HD/galv. _____	
Aluminum _____	
Canopy: Yes _____	No _____



Self Sufficient Power Supply

Provides a mix of 120/240V and 480VAC receptacles and includes panel boards and one main shut off. May be supplied with trailer as mobile unit or used at a permanent location.

