



ENCLOSURES INDEX



USF/SJIC(H)
Junction Boxes.....3-11



DB Series
Junction Boxes..... 12-13



USF/SJIC(H)
Terminal Boxes..... 14-26



GE Series
With Terminal.....27



HK Series
ATEX Terminal Boxes28



GEB Series
Terminal Boxes..... 29-32



EXB Series
Junction Boxes.....33-36



B7E Series
Junction Boxes..... 37-38



B7E Series
Junction Boxes..... 39



GL/GLXR Series
Round & Rectangular Lenses 41-42



KB Series
Drains and Breathers,
Flame Arrestors.....43-44



EXH Series
Circuit Breaker Handle 44



TWBE Series
Terminal Blocks..... 45



GR Series
Threaded Enclosures.....46-50



HK/2HK Series
Instrument/Device Enclosures..... 51-54

Conduit Opening Data..... 55



ENCLOSURES FOR HARSH & HAZARDOUS ENVIRONMENTS



SJIC & SJICH Series



USF Series



GR Series



EXB Series



GEB Series



ENCLOSURES

USF ENCLOSURES ONLY

TECHNE-TERM 



USF Series

cCSAus / ATEX / IEC Ex Certified

Ex tb / AEx tb Zone 21 IIIC

T80°C/T100°C/T130°C Db

Enclosure Type 3, 4 & 4X IP66

Report No. 15.70013872



0539  II 2 G D

Ex e IIC Gb

Ex tb IIC Db IP66

Service temperature -50°C to +135°C

IECEX SIR 14.0053U

SIRA 14ATEX3156U



FEATURES-SPECIFICATIONS

Applications

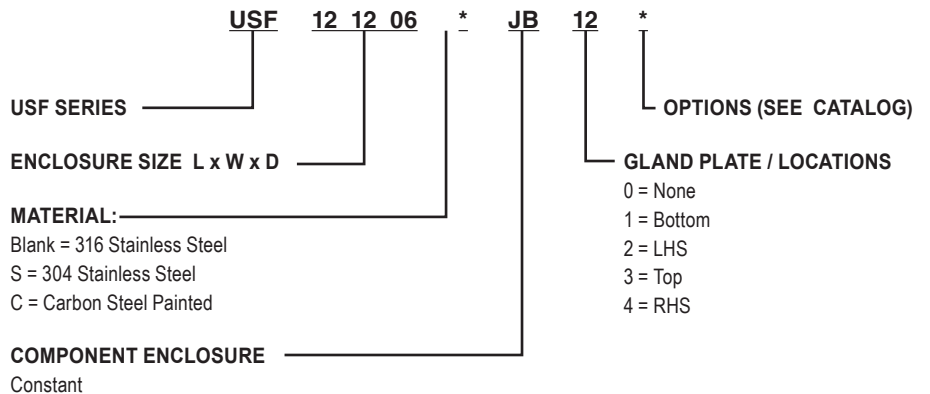
Panel builders and intergraders building equipment for use in hazardous, corrosive, wet, hose down, dust, dirty, for both hot and cold industrial applications

- Pulp & Paper Mills
- Breweries
- Electrical Power Plants
- Refineries
- Petrochemical Plants
- Chemical Plants
- Wastewater Treatment
- Grain Facilities
- Marine, Docks, Ports
- Coal Handling
- Off Shore Platforms
- Pumping Stations
- Textile manufacturing
- Food Processing

USF Enclosures Features—38 Sizes

- External slope top flange directs water, melting ice & snow and dust build up away from the opening side of the door.
- Continuous robot welded seams for a hose down tight seal.
- Concealed hinges with removable hinge pins.
- Doors are interchangeable and easily removable.
- Ground/earthing studs in both cover and through wall of the box.

- Quarter turn 316 stainless steel latch
- One piece high temperature closed cell silicone gasket. With superior recovery and re-sealing properties.
- Sturdy 14 gauge box construction helps prevent bending or permanent deflection of the walls when field installing openings.
- Bi-directional removal mounting lugs for the widest flexibility during installations.
- Openings for glands or conduits factory or field installed—option for gland plates.





USF SLOPE FLANGE ENCLOSURE



CATALOG NUMBER	HEIGHT IN. (MM)	WIDTH	DEPTH	"E"	"F"	"G"	"H"	"A" GLAND PLATE	"B" GLAND PLATE	"C" GLAND PLATE	WEIGHT LBS (KG)
USF121206-JB	12 (305)	12 (305)	6 (153)	10.69 (272)	10.69 (272)	13.63 (346)	13.63 (346)	4.06 (103)	9.38 (238)	9.63 (245)	14 (6.3)
USF161206-JB	16 (407)	12 (305)	6 (153)	10.69 (272)	14.69 (373)	13.63 (346)	17.63 (448)	4.06 (103)	13.38 (340)	9.63 (245)	20 (9.1)
USF161208-JB	16 (407)	12 (305)	8 (203)	10.69 (272)	14.69 (373)	13.63 (346)	17.63 (448)	6.06 (154)	13.38 (340)	9.63 (245)	22 (10)
USF161210-JB	16 (407)	12 (305)	10 (254)	10.69 (272)	14.69 (373)	13.63 (346)	17.63 (448)	8.06 (205)	13.38 (340)	9.63 (245)	24 (10.9)
USF161606-JB	16 (407)	16 (407)	6 (153)	14.69 (373)	14.69 (373)	17.63 (448)	17.63 (448)	4.06 (103)	13.38 (340)	13.38 (340)	26 (11.8)
USF161608-JB	16 (407)	16 (407)	8 (203)	14.69 (373)	14.69 (373)	17.63 (448)	17.63 (448)	6.06 (154)	13.38 (340)	13.38 (340)	27 (12.2)
USF161610-JB	16 (407)	16 (407)	10 (254)	14.69 (373)	14.69 (373)	17.63 (448)	17.63 (448)	8.06 (205)	13.38 (340)	13.38 (340)	29 (13.2)
USF201606-JB	20 (508)	16 (407)	6 (153)	18.69 (475)	14.69 (373)	21.63 (549)	17.63 (448)	4.06 (103)	17.38 (441)	13.38 (340)	29 (13.2)
USF201608-JB	20 (508)	16 (407)	8 (203)	14.69 (373)	18.69 (475)	17.63 (448)	21.63 (549)	6.06 (154)	17.38 (441)	13.38 (340)	31 (14)
USF201610-JB	20 (508)	16 (407)	10 (254)	14.69 (373)	18.69 (475)	17.63 (448)	21.63 (549)	8.06 (205)	17.38 (441)	13.38 (340)	32 (14.5)
USF202006-JB	20 (508)	20 (508)	6 (153)	14.69 (373)	18.69 (475)	17.63 (448)	21.63 (549)	4.06 (103)	17.38 (441)	17.38 (441)	35 (15.9)
USF202008-JB	20 (508)	20 (508)	8 (203)	18.69 (475)	18.69 (475)	21.63 (549)	21.63 (549)	6.06 (154)	17.38 (441)	17.38 (441)	37 (16.8)
USF202010-JB	20 (508)	20 (508)	10 (254)	18.69 (475)	18.69 (475)	21.63 (549)	21.63 (549)	8.06 (205)	17.38 (441)	17.38 (441)	39 (17.7)
USF202012-JB	20 (508)	20 (508)	12 (305)	18.69 (475)	18.69 (475)	21.63 (549)	21.63 (549)	10.06 (255)	17.38 (441)	17.38 (441)	44 (20)
USF241606-JB	24 (610)	16 (407)	6 (153)	14.69 (373)	22.69 (576)	17.63 (448)	25.63 (651)	4.06 (103)	21.38 (543)	13.38 (340)	35 (15.9)
USF241608-JB	24 (610)	16 (407)	8 (203)	18.69 (475)	18.69 (475)	21.63 (549)	21.63 (549)	6.06 (154)	21.38 (543)	13.38 (340)	36 (16.3)
USF241610-JB	24 (610)	16 (407)	10 (254)	14.69 (373)	22.69 (576)	17.63 (448)	25.63 (651)	8.06 (205)	21.38 (543)	13.38 (340)	38 (17.2)
USF242006-JB	24 (610)	20 (508)	6 (153)	14.69 (373)	22.69 (576)	17.63 (448)	25.63 (651)	4.06 (103)	21.38 (543)	17.38 (441)	42 (19)
USF242008-JB	24 (610)	20 (508)	8 (203)	18.69 (475)	22.69 (576)	21.63 (549)	25.63 (651)	6.06 (154)	21.38 (543)	17.38 (441)	43 (19.5)
USF242010-JB	24 (610)	20 (508)	10 (254)	18.69 (475)	22.69 (576)	21.63 (549)	25.63 (651)	8.06 (205)	21.38 (543)	17.38 (441)	44 (20)
USF242012-JB	24 (610)	20 (508)	12 (305)	18.69 (475)	22.69 (576)	21.63 (549)	25.63 (651)	10.06 (255)	21.38 (543)	17.38 (441)	46 (20.9)
USF242406-JB	24 (610)	24 (610)	6 (153)	18.69 (475)	22.69 (576)	21.63 (549)	25.63 (651)	4.06 (103)	21.38 (543)	21.38 (543)	49 (22.2)
USF242408-JB	24 (610)	24 (610)	8 (203)	22.69 (576)	22.69 (576)	25.63 (651)	25.63 (651)	6.06 (154)	21.38 (543)	21.38 (543)	53 (24)
USF242410-JB	24 (610)	24 (610)	10 (254)	22.69 (576)	22.69 (576)	25.63 (651)	25.63 (651)	8.06 (205)	21.38 (543)	21.38 (543)	58 (26.3)
USF242412-JB	24 (610)	24 (610)	12 (305)	22.69 (576)	22.69 (576)	25.63 (651)	25.63 (651)	10.06 (255)	21.38 (543)	21.38 (543)	62 (28.1)
USF242416-JB	24 (610)	24 (610)	16 (407)	22.69 (576)	22.69 (576)	25.63 (651)	25.63 (651)	14.06 (357)	21.38 (543)	21.38 (543)	71 (32.2)
USF242420-JB	24 (610)	24 (610)	20 (508)	22.69 (576)	22.69 (576)	25.63 (651)	25.63 (651)	18.06 (458)	21.38 (543)	21.38 (543)	78 (35.4)
USF302008-JB	30 (762)	20 (508)	8 (203)	22.69 (576)	22.69 (576)	25.63 (651)	25.63 (651)	6.06 (154)	26.00 (660)	17.38 (441)	59 (26.8)
USF302010-JB	30 (762)	20 (508)	10 (254)	18.69 (475)	28.69 (729)	21.63 (549)	31.63 (803)	8.06 (205)	26.00 (660)	17.38 (441)	61 (27.7)
USF302408-JB	30 (762)	24 (610)	8 (203)	18.69 (475)	28.69 (729)	21.63 (549)	31.63 (803)	6.06 (154)	26.00 (660)	21.38 (543)	56 (25.4)
USF302410-JB	30 (762)	24 (610)	10 (254)	22.69 (576)	28.69 (729)	25.63 (651)	31.63 (803)	8.06 (205)	26.00 (660)	21.38 (543)	63 (28.6)
USF302412-JB	30 (762)	24 (610)	12 (305)	22.69 (576)	28.69 (729)	25.63 (651)	31.63 (803)	10.06 (255)	26.00 (660)	21.38 (543)	64 (29)
USF302420-JB	30 (762)	24 (610)	20 (508)	22.69 (576)	28.69 (729)	25.63 (651)	31.63 (803)	18.06 (458)	26.00 (660)	21.38 (543)	99 (45)
USF303008-JB	30 (762)	30 (762)	8 (203)	22.69 (576)	28.69 (729)	25.63 (651)	31.63 (803)	6.06 (154)	26.00 (660)	26.00 (660)	68 (30.8)
USF303010-JB	30 (762)	30 (762)	10 (254)	28.69 (729)	28.69 (729)	31.63 (803)	31.63 (803)	8.06 (205)	26.00 (660)	26.00 (660)	72 (32.7)
USF303012-JB	30 (762)	30 (762)	12 (305)	28.69 (729)	28.69 (729)	31.63 (803)	31.63 (803)	10.06 (255)	26.00 (660)	26.00 (660)	89 (40.4)
USF362408-JB	36 (915)	24 (610)	8 (203)	34.69 (881)	28.69 (729)	37.63 (956)	31.63 (803)	6.06 (154)	33.00 (838)	21.38 (543)	66 (30)
USF362410-JB	36 (915)	24 (610)	10 (254)	9.79 (249)	35.20 (894)	8.15 (207)	27.63 (702)	8.06 (205)	33.00 (838)	21.38 (543)	70 (31.8)

All dimension in. (mm)



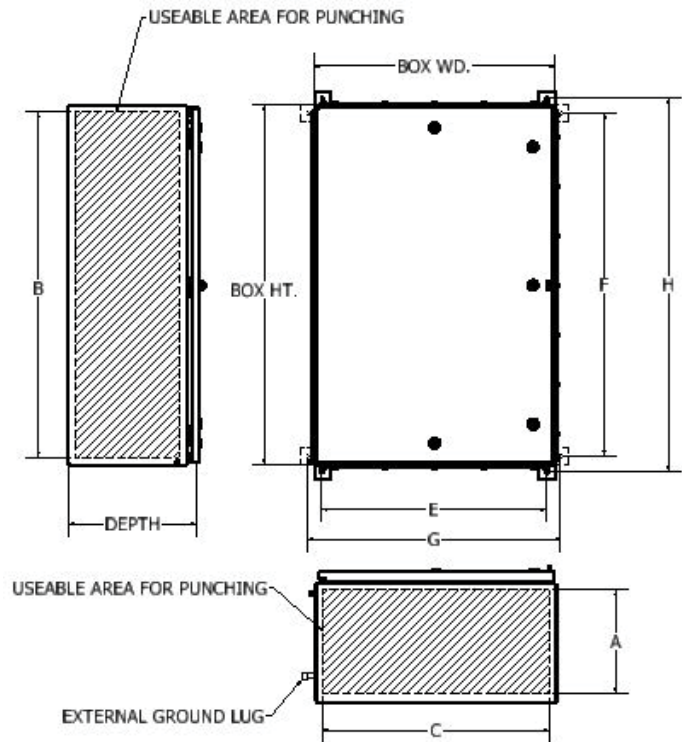
USF SLOPE FLANGE ENCLOSURE



CATALOG NUMBER	"A" BLANK WALL AREA	"B" BLANK WALL AREA	"C" BLANK WALL AREA	(W) MAX. POWER
USF121206-JB	5.74 (146)	10.93 (277)	10.93 (277)	15.0
USF161206-JB	5.74 (146)	14.93 (379)	10.93 (277)	17.0
USF161208-JB	7.74 (196)	14.93 (379)	10.93 (277)	20.6
USF161210-JB	9.74 (247)	14.93 (379)	10.93 (277)	23.5
USF161606-JB	5.74 (146)	14.93 (379)	14.93 (379)	19.0
USF161608-JB	7.74 (196)	14.93 (379)	14.93 (379)	20.0
USF161610-JB	9.74 (247)	14.93 (379)	14.93 (379)	25.0
USF201606-JB	5.74 (146)	18.93 (480)	14.93 (379)	21.0
USF201608-JB	7.74 (196)	18.93 (480)	14.93 (379)	23.0
USF201610-JB	9.74 (247)	18.93 (480)	14.93 (379)	26.0
USF202006-JB	5.74 (146)	18.93 (480)	18.93 (480)	24.3
USF202008-JB	7.74 (196)	18.93 (480)	18.93 (480)	26.0
USF202010-JB	9.74 (247)	18.93 (480)	18.93 (480)	30.0
USF202012-JB	11.74 (298)	18.93 (480)	18.93 (480)	36.0
USF241606-JB	5.74 (146)	22.93 (582)	14.93 (379)	35.0
USF241608-JB	7.74 (196)	22.93 (582)	14.93 (379)	36.0
USF241610-JB	9.74 (247)	22.93 (582)	14.93 (379)	31.0
USF242006-JB	5.74 (146)	22.93 (582)	18.93 (480)	24.5
USF242008-JB	7.74 (196)	22.93 (582)	18.93 (480)	31.5
USF242010-JB	9.74 (247)	22.93 (582)	18.93 (480)	33.6
USF242012-JB	11.74 (298)	22.93 (582)	18.93 (480)	36.0
USF242406-JB	5.74 (146)	22.93 (582)	22.93 (582)	25.8
USF242408-JB	7.74 (196)	22.93 (582)	22.93 (582)	34.0
USF242410-JB	9.74 (247)	22.93 (582)	22.93 (582)	34.0
USF242412-JB	11.74 (298)	22.93 (582)	22.93 (582)	38.0
USF242416-JB	15.74 (400)	22.93 (582)	22.93 (582)	42.0
USF242420-JB	19.74 (501)	22.93 (582)	22.93 (582)	57.3
USF302008-JB	7.74 (196)	28.93 (735)	18.93 (480)	36.5
USF302010-JB	9.74 (247)	28.93 (735)	18.93 (480)	36.0
USF302408-JB	7.74 (196)	28.93 (735)	22.93 (582)	39.0
USF302410-JB	9.74 (247)	28.93 (735)	22.93 (582)	38.0
USF302412-JB	11.74 (298)	28.93 (735)	22.93 (582)	40.0
USF302420-JB	19.74 (501)	28.93 (735)	22.93 (582)	57.3
USF303008-JB	7.74 (196)	28.93 (735)	28.93 (735)	43.0
USF303010-JB	9.74 (247)	28.93 (735)	28.93 (735)	40.0
USF303012-JB	11.74 (298)	28.93 (735)	28.93 (735)	46.0
USF362408-JB	7.74 (196)	34.93 (887)	22.93 (582)	44.0
USF362410-JB	9.74 (247)	34.93 (887)	22.93 (582)	40.0

All dimension in. (mm)

USF MAXIMUM CONDUIT / GLAND OPENINGS					
W/O GLAND PLATE			W/ GLAND PLATE		
BOX DEPTH	MAX NPT	MAX METRIC	BOX DEPTH	MAX NPT	MAX METRIC
6	3-1/2"	M100	6	2-1/2"	M75
8	4"	M100	8	4"	M100
10	4"	M100	10	4"	M100
12	4"	M100	12	4"	M100
16	4"	M100	16	4"	M100
20	4"	M100	20	4"	M100



See enclosure modification page for conduit / gland holes sizes and spacing.



USF SLOPE FLANGE ENCLOSURES

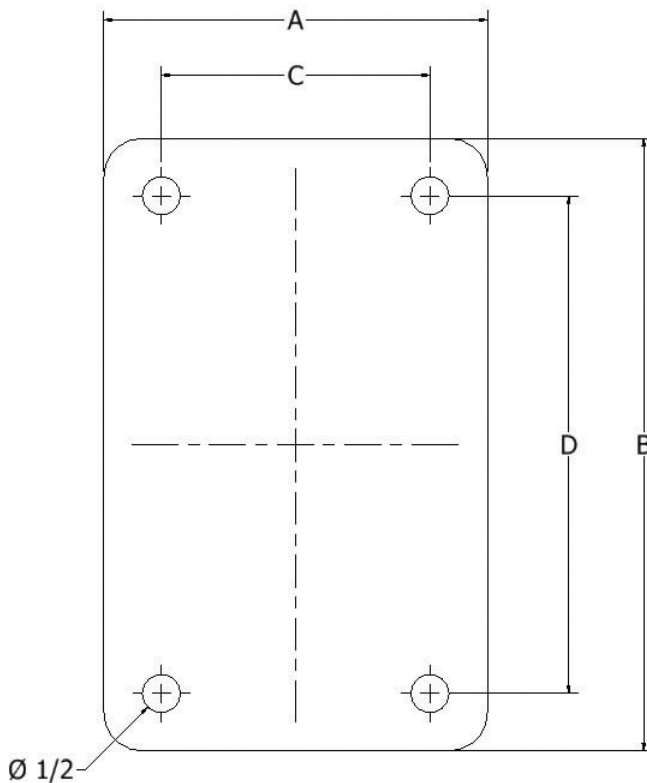


USF SERIES INTERNAL MOUNTING PAN					
CATALOG NO.	A	B	C	D	THICKNESS
USF1212P	9.00 (229)	9.00 (229)	7.25 (184)	7.25 (184)	.13 (3.3)
USF1612P	9.00 (229)	13.00 (330)	7.25 (184)	11.25 (286)	.13 (3.3)
USF1616P	13.00 (330)	13.00 (330)	11.25 (286)	11.25 (286)	.13 (3.3)
USF2012P	9.00 (229)	17.00 (432)	7.25 (184)	15.25 (387)	.13 (3.3)
USF2016P	13.00 (330)	17.00 (432)	11.25 (286)	15.25 (387)	.13 (3.3)
USF2416P	13.00 (330)	21.00 (533)	11.25 (286)	19.25 (489)	.13 (3.3)
USF2420P	17.00 (432)	21.00 (533)	15.25 (387)	19.25 (489)	.13 (3.3)
USF2424P	21.00 (533)	21.00 (533)	19.25 (489)	19.25 (489)	.13 (3.3)
USF3020P	17.00 (432)	25.63 (651)	15.25 (387)	23.88 (606)	.13 (3.3)
USF3024P	21.00 (533)	25.63 (651)	19.25 (489)	23.88 (606)	.13 (3.3)
USF3030P	25.63 (651)	25.63 (651)	23.88 (606)	23.88 (606)	.13 (3.3)
USF3624P	21.00 (533)	32.63 (829)	19.25 (489)	30.88 (784)	.19 (4.8)

Internal mounting pans are made from high strength aluminum alloy. The aluminum alloy is corrosion resistance and can be drilled and tapped in the field for ease of installation of components.

Pans come standard with mounting hardware.

All dimension in. (mm)



ENCLOSURES



SJIC SERIES

SJIC ENCLOSURES ONLY • SCREW COVER

TECHNE-TERM



SJIC Series

cCSAus / ATEX / IEC Ex Certified

Ex tb / AEx tb Zone 21 IIIC
T80°C/T100°C/T130°C Db



Enclosure Type 3, 4 & 4X IP66
Report No. 15.70013872

IECEX SIR 14.0053U
SIRA 14ATEX3156U

0539 II 2 G D

Ex e IIC Gb

Ex tb IIC Db IP66

Service temperature -50°C to +135°C



FEATURES-SPECIFICATIONS

Applications

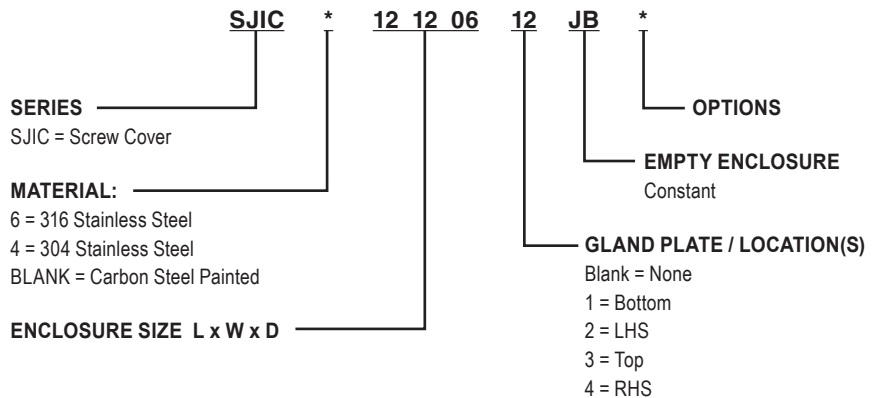
Panel builders and intergraders building equipment for use in hazardous , corrosive, wet, hose down, dust, dirty , for both hot and cold industrial applications.

- Pulp & Paper Mills
- Breweries
- Electrical Power Plants
- Refineries
- Petrochemical Plants
- Chemical Plants
- Wastewater Treatment
- Grain Facilities
- Marine, Docks, Ports
- Coal Handling
- Off Shore Platforms
- Pumping Stations
- Textile manufacturing
- Food Processing

SJIC Enclosures Features—15 Sizes

- Screw covers 316 stainless steel
- Continuous robot welded seams for a hose down tight seal.
- SJIC doors are interchangeable and easily removable.
- Ground/earthing studs in both cover and through wall of the box.
- One piece high temperature closed cell silicone gasket. With superior recovery and re-sealing properties.

- Sturdy 14 gauge box construction helps prevent bending or permanent deflection of the walls when field installing openings.
- Welded one piece mounting flanges top and bottom for strength.
- Openings for glands or conduit



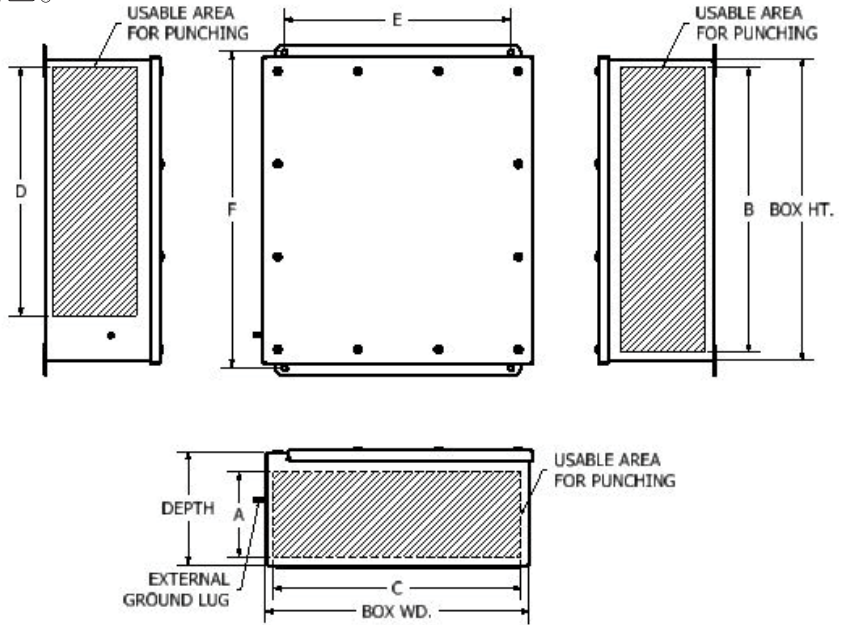


SJIC ENCLOSURES ONLY

TECHNE-TERM

SUFFIX NUMBER	DESCRIPTION
KIT-251	100 amp ground lug
KIT-252	225 amp ground lug
SU3-KDE	Class I Div. 2 Grps A, B, C & D, Type 4X. Ex e IIC Zone 1 IP 66 Drain & breather installed.
SU10-KDE	Class I Div. 2 Grps A, B, C & D, Type 4X. Ex e IIC Zone 1 IP 66 Drain only installed.
DC	Document Wallet (enclosures 10 x 10 and larger only)
SU9	Special paint finish
SU14	Fungus proofing of enclosures

See enclosure modification page for conduit / gland hole sizes and spacing.

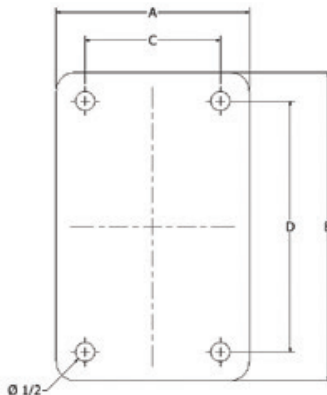


CATALOG NUMBER	HEIGHT IN. (MM)	WIDTH	DEPTH	"E"	"F"	"A" BLANK WALL	"B" BLANK WALL	"C" BLANK WALL	"D" BLANK WALL	(W) MAX. POWER	WEIGHT LBS (KG)
SJIC6040404-JB	4 (102)	4 (102)	4 (102)	2.00 (51)	4.75 (121)	2.47(63)	3.13 (79)	3.13 (79)	1.19 (30)	4.1	2.83 (1.3)
SJIC6060404-JB	6 (152)	4 (102)	4 (102)	2.00 (51)	6.75 (171)	2.47(63)	5.13 (130)	3.13 (79)	3.19 (81)	5.2	3.6 (1.6)
SJIC6060604-JB	6 (152)	6 (152)	4 (102)	4.00 (102)	6.75 (171)	2.47(63)	5.13 (130)	5.13 (130)	3.19 (81)	6.1	4.9 (2.2)
SJIC6060606-JB	6 (152)	6 (152)	6 (152)	4.00 (102)	6.75 (171)	4.47 (114)	5.13 (130)	5.13 (130)	3.19 (81)	8.4	5.9 (2.7)
SJIC6080606-JB	8 (203)	6 (152)	6 (152)	4.00 (102)	8.75 (222)	4.47 (114)	7.13 (181)	7.13 (181)	5.19 (132)	10.5	7.5 (3.4)
SJIC6080804-JB	8 (203)	8 (203)	4 (102)	6.00 (152)	8.75 (222)	2.47(63)	7.13 (181)	7.13 (181)	5.19 (132)	8.4	7.9 (3.6)
SJIC6080806-JB	8 (203)	8 (203)	6 (152)	6.00 (152)	8.75 (222)	4.47 (114)	7.13 (181)	7.13 (181)	5.19 (132)	11.4	8.33 (3.8)
SJIC6100804-JB	10 (254)	8 (203)	4 (102)	6.00 (152)	10.75 (273)	2.47(63)	9.13 (232)	7.13 (181)	7.19 (183)	8.4	9.5 (4.4)
SJIC6100806-JB	10 (254)	8 (203)	6 (152)	6.00 (152)	10.75 (273)	4.47 (114)	9.13 (232)	7.13 (181)	7.19 (183)	12.2	10 (4.5)
SJIC6101006-JB	10 (254)	10 (254)	6 (152)	8.00 (203)	10.75 (273)	4.47 (114)	9.13 (232)	9.13 (232)	7.19 (183)	13	11 (5)
SJIC6121005-JB	12 (305)	10 (254)	5 (127)	8.00 (203)	12.75 (324)	3.47 (88)	11.13 (283)	9.13 (232)	9.19 (233)	8.4	12 (5.4)
SJIC6121006-JB	12 (305)	10 (254)	6 (152)	8.00 (203)	12.75 (324)	4.47 (114)	11.13 (283)	9.13 (232)	9.19 (233)	14	13 (5.9)
SJIC6121206-JB	12 (305)	12 (305)	6 (152)	10.00 (254)	12.75 (324)	4.47 (114)	11.13 (283)	11.13 (283)	9.19 (233)	15	15 (6.8)
SJIC6141206-JB	14 (356)	12 (305)	6 (152)	10.00 (254)	14.75 (375)	4.47 (114)	13.13 (334)	11.13 (283)	11.19 (284)	16	16 (7.3)
SJIC6161406-JB	16 (406)	14 (356)	6 (152)	12 (305)	16.75 (425)	4.47 (114)	15.13 (384)	13.13 (334)	13.19 (335)	18	20 (9)

SJIC(H) SERIES INTERNAL MOUNTING PAN

CATALOG NO.	A	B	C	D	THICKNESS
SJIC1010P	7.63 (194)	7.63 (194)	7.00 (178)	7.00 (178)	.13 (3.2)
SJIC1210P	7.63 (194)	9.63 (244)	7.00 (178)	9.00 (228)	.13 (3.2)
SJIC1212P	9.63 (244)	9.63 (244)	9.00 (228)	9.00 (228)	.13 (3.2)
SJIC1412P	9.63 (244)	11.63 (295)	9.00 (228)	11.00 (279)	.13 (3.2)
SJIC1614P	11.63 (295)	13.63 (346)	11.00 (279)	13.00 (330)	.13 (3.2)

All dimension in. (mm)



Internal mounting pans are made from high strength aluminum alloy. The aluminum alloy is corrosion resistance and can be drill and tapped in the field for ease of installation of components.

Pans come standard with mounting hardware.

SJIC / SJCH MAXIMUM CONDUIT / GLAND OPENINGS					
W/O GLAND PLATE			W/ GLAND PLATE		
BOX DEPTH	MAX NPT	MAX METRIC	BOX DEPTH	MAX NPT	MAX METRIC
4	1"	M32	4	1/2"	M20
5	1-1/2"	M50	5	1-1/4"	M40
6	3"	M80	6	2"	M63

ENCLOSURES



SJICH SERIES

SJICH ENCLOSURES ONLY • HINGED SCREW COVER

TECHNE-TERM



SJICH Series

cCSAus / ATEX / IEC Ex Certified

Ex tb / AEx tb Zone 21 IIIC

T80°C/T100°C/T130°C Db

Enclosure Type 3, 4 & 4X IP66

Report No. 15.70013872

IECEX SIR 14.0053U

SIRA 14ATEX3156U

0539 II 2 G D

Ex e IIC Gb

Ex tb IIC Db IP66

Service temperature -50°C to +135°C



FEATURES-SPECIFICATIONS

Applications

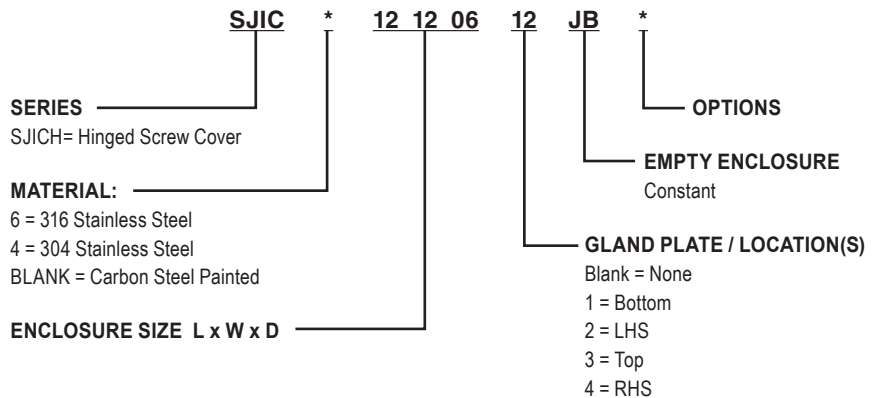
Panel builders and intergraders building equipment for use in hazardous , corrosive, wet, hose down, dust, dirty , for both hot and cold industrial applications.

- Pulp & Paper Mills
- Breweries
- Electrical Power Plants
- Refineries
- Petrochemical Plants
- Chemical Plants
- Wastewater Treatment
- Grain Facilities
- Marine, Docks, Ports
- Coal Handling
- Off Shore Platforms
- Pumping Stations
- Textile manufacturing
- Food Processing

SJICH Enclosures Features—11 Sizes

- Screw covers 316 stainless steel
- Continuous robot welded seams for a hose down tight seal.
- SJICH have continuous one piece hinge construction.
- Ground/earthing studs in both cover and through wall of the box.
- One piece high temperature closed cell silicone gasket. With superior recovery and re-sealing properties.

- Sturdy 14 gauge box construction helps prevent bending or permanent deflection of the walls when field installing openings.
- Welded one piece mounting flanges top and bottom for strength.
- Openings for glands or conduit

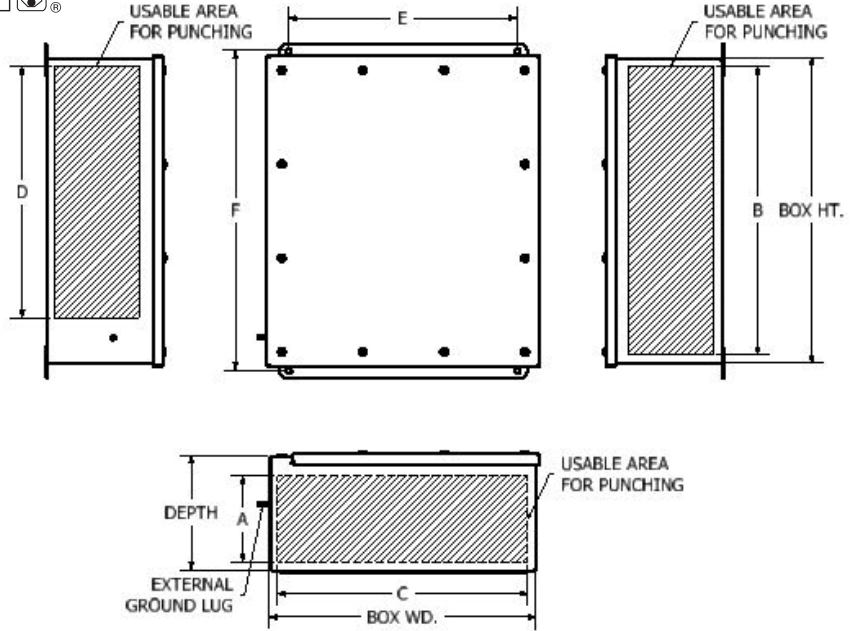




SJICH ENCLOSURES ONLY

TECHNE-TERM

SUFFIX NUMBER	DESCRIPTION
KIT-251	100 amp ground lug
KIT-252	225 amp ground lug
SU3-KDE	Class I Div. 2 Grps A, B, C & D, Type 4X. Ex e IIC Zone 1 IP 66 Drain & breather installed.
SU10-KDE	Class I Div. 2 Grps A, B, C & D, Type 4X. Ex e IIC Zone 1 IP 66 Drain only installed.
DC	Document Wallet (enclosures 10 x 10 and larger only)
SU9	Special paint finish
SU14	Fungus proofing of enclosures



See enclosure modification page for conduit / gland hole sizes and spacing.

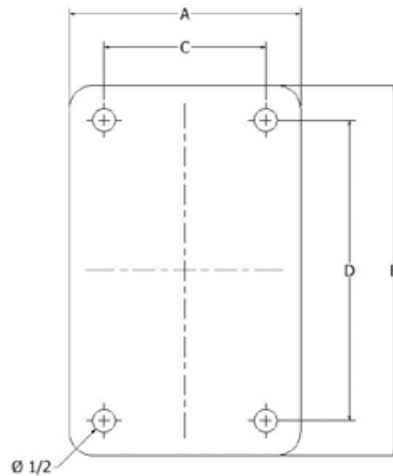
CATALOG NUMBER	HEIGHT IN. (MM)	WIDTH	DEPTH	"E"	"F"	"A" BLANK WALL	"B" BLANK WALL	"C" BLANK WALL	"D" BLANK WALL	(W) MAX. POWER	WEIGHT LBS (KG)
SJICH4080606-JB	8 (203)	6 (152)	6 (152)	4.00 (102)	8.75 (222)	4.47 (114)	7.13 (181)	7.13 (181)	5.19 (132)	10.5	7.5 (3.4)
SJICH4080804-JB	8 (203)	8 (203)	4 (102)	6.00 (152)	8.75 (222)	2.47(63)	7.13 (181)	7.13 (181)	5.19 (132)	8.4	7.9 (3.6)
SJICH4080806-JB	8 (203)	8 (203)	6 (152)	6.00 (152)	8.75 (222)	4.47 (114)	7.13 (181)	7.13 (181)	5.19 (132)	11.4	8.33 (3.8)
SJICH4100804-JB	10 (254)	8 (203)	4 (102)	6.00 (152)	10.75 (273)	2.47(63)	9.13 (232)	7.13 (181)	7.19 (183)	8.4	9.5 (4.4)
SJICH4100806-JB	10 (254)	8 (203)	6 (152)	6.00 (152)	10.75 (273)	4.47 (114)	9.13 (232)	7.13 (181)	7.19 (183)	12.2	10 (4.5)
SJICH4101006-JB	10 (254)	10 (254)	6 (152)	8.00 (203)	10.75 (273)	4.47 (114)	9.13 (232)	9.13 (232)	7.19 (183)	13	11 (5)
SJICH4121005-JB	12 (305)	10 (254)	5 (127)	8.00 (203)	12.75 (324)	3.47 (88)	11.13 (283)	9.13 (232)	9.19 (233)	8.4	12 (5.4)
SJICH4121006-JB	12 (305)	10 (254)	6 (152)	8.00 (203)	12.75 (324)	4.47 (114)	11.13 (283)	9.13 (232)	9.19 (233)	14	13 (5.9)
SJICH4121206-JB	12 (305)	12 (305)	6 (152)	10.00 (254)	12.75 (324)	4.47 (114)	11.13 (283)	11.13 (283)	9.19 (233)	15	15 (6.8)
SJICH4141206-JB	14 (356)	12 (305)	6 (152)	10.00 (254)	14.75 (375)	4.47 (114)	13.13 (334)	11.13 (283)	11.19 (284)	16	16 (7.3)
SJICH4161406-JB	16 (406)	14 (356)	6 (152)	12 (305)	16.75 (425)	4.47 (114)	15.13 (384)	13.13 (334)	13.19 (335)	18	20 (9)

SJIC(H) SERIES INTERNAL MOUNTING PAN					
CATALOG NO.	A	B	C	D	THICKNESS
SJIC1010P	7.63 (194)	7.63 (194)	7.00 (178)	7.00 (178)	.13 (3.2)
SJIC1210P	7.63 (194)	9.63 (244)	7.00 (178)	9.00 (228)	.13 (3.2)
SJIC1212P	9.63 (244)	9.63 (244)	9.00 (228)	9.00 (228)	.13 (3.2)
SJIC1412P	9.63 (244)	11.63 (295)	9.00 (228)	11.00 (279)	.13 (3.2)
SJIC1614P	11.63 (295)	13.63 (346)	11.00 (279)	13.00 (330)	.13 (3.2)

All dimension in. (mm)

Internal mounting pans are made from high strength aluminum alloy. The aluminum alloy is corrosion resistance and can be drill and tapped in the field for ease of installation of components.

Pans come standard with mounting hardware.



SJIC / SJCH MAXIMUM CONDUIT / GLAND OPENINGS					
W/O GROUND PLATE			W/ GROUND PLATE		
BOX DEPTH	MAX NPT	MAX METRIC	BOX DEPTH	MAX NPT	MAX METRIC
4	1"	M32	4	1/2"	M20
5	1-1/2"	M50	5	1-1/4"	M40
6	3"	M80	6	2"	M63



USF / SJIC / SJICH ENCLOSURES



TABLE 1: Minimum distance from edge of box to the center of the conduit / cable entry.

NPT (METRIC)	4"	3-1/2"	3" (M75)	2-1/2" (M63)	2" (M50)	1-1/2" (M40)	1-1/4" (M32)	1" (M25)	3/4" (M20)	1/2" (M16)
IN. (MM)	2-3/4 (70)	2-1/2 (64)	2 (51)	2 (51)	1-5/8 (41)	1-3/8 (35)	1-1/4 (32)	1 (25)	7/8 (22)	3/4 (19)

TABLE 2 Minimum distance from edge of gland plate to the center of the conduit / cable entry.

NPT (METRIC)	4" (M100)	3-1/2" (M80)	3" (M75)	2-1/2" (M63)	2" (M50)	1-1/2" (M40)	1-1/4" (M32)	1" (M25)	3/4" (M20)	1/2" (M16)
IN. (MM)	3-1/4 (83)	3 (76)	2-3/4 (70)	2-1/2 (64)	2-1/8 (54)	1-7/8 (48)	1-3/4 (44)	1-1/2 (38)	1-3/8 (35)	1-1/4 (32)

TABLE 3: NEC / CEC minimum wire bending space from inside wall of the enclosure, North America applications only.

SIZE AWG (MM2)	16 (1.5)	14 (2.5)	12 (4)	10 (6)	8 (10)	6 (16)	4 (25)	2 (35)	1/0 (50)	2/0 (70)	3/0 (95)	4/0 (120)
IN. (MM)	1.5 (38)	1.5 (38)	1.5 (38)	1.5 (38)	1.5 (38)	2 (51)	3 (76)	3.5 (89)	5.5 (140)	6 (152)	6.5 (164)	7 (178)

TABLE 4: Punched hole diameters. For additional sizes not shown please contact the factory.

NPT	4"	3-1/2"	3"	2-1/2"	2"	1-1/2"	1-1/4"	1"	3/4"	1/2"
MAX. HOLE DIA. IN. (MM)	4.53 (115.06)	4.03 (102.36)	3.53 (89.66)	2.905 (73.79)	2.405 (61.08)	1.93 (49.2)	1.69 (42.93)	1.345 (34.16)	1.08 (27.4)	.87 (22.09)
METRIC	M100	M80	M75	M63	M50	M40	M32	M25	M20	M16
MAX. HOLE DIA. MM (IN.)	100.7 (3.94)	80.7 (3.15)	75.7 (2.95)	63.7 (2.48)	50.7 (1.97)	40.7 (1.58)	32.7 (1.26)	25.7 (0.98)	20.7 (0.79)	16.7 (0.63)

TABLE 5: Minimum distance of the center line to center line of the conduit / cable entries.

(NPT) [METRIC]	4 [M100]	3 1/2 [M80]	3 [M75]	2 1/2 [M63]	2 [M50]	1 1/2 [M40]	1 1/4 [M32]	1 [M25]	3/4 [M20]	1/2 [M16]
1/2 [M16]	3 5/8 [92mm]	3 3/8 [86mm]	3 1/8 [80mm]	2 3/4 [70mm]	2 1/2 [64mm]	2 1/4 [58mm]	2 1/8 [54mm]	1 7/8 [48mm]	1 3/4 [45mm]	1 5/8 [41mm]
3/4 [M20]	3 3/4 [96mm]	3 1/2 [89mm]	3 1/4 [83mm]	2 7/8 [74mm]	2 5/8 [68mm]	2 3/8 [60mm]	2 1/4 [58mm]	2 [51mm]	1 7/8 [48mm]	
1 [M25]	3 7/8 [99mm]	3 5/8 [92mm]	3 3/8 [86mm]	3 [77mm]	2 3/4 [70mm]	2 1/2 [64mm]	2 3/8 [60mm]	2 1/8 [54mm]		
1 1/4 [M32]	4 1/8 [105mm]	3 7/8 [99mm]	3 1/2 [89mm]	3 1/4 [83mm]	3 [77mm]	2 3/4 [70mm]	2 1/2 [64mm]			
1 1/2 [M40]	4 1/4 [108mm]	4 [102mm]	3 3/4 [96mm]	3 3/8 [86mm]	3 1/8 [80mm]	2 7/8 [73mm]				
2 [M50]	4 3/4 [121mm]	4 1/2 [115mm]	4 [102mm]	3 5/8 [92mm]	3 3/8 [86mm]					
2 1/2 [M63]	4 7/8 [124mm]	4 5/8 [118mm]	4 1/4 [108mm]	3 7/8 [99mm]						
3 [M75]	5 1/4 [134mm]	5 [127mm]	4 5/8 [118mm]							
3 1/2 [M80]	5 3/4 [147mm]	5 1/2 [140mm]								
4 [M100]	6 1/4 [159mm]									

All dimension in. (mm)



JUNCTION BOXES



Class II, Div. 1 & 2, Groups E, F, G
 Class III
 NEMA 3R, 4, 4X, 9 (E, F, G)

LISTED - File E10514

Certified - File LR11716

File 25132

See files for details or call Killark.

FEATURES-SPECIFICATIONS

Applications

- Hazardous locations due to the presence of combustible dusts or easily ignitable fibers or flyings
- Damp or wet locations (raintight)

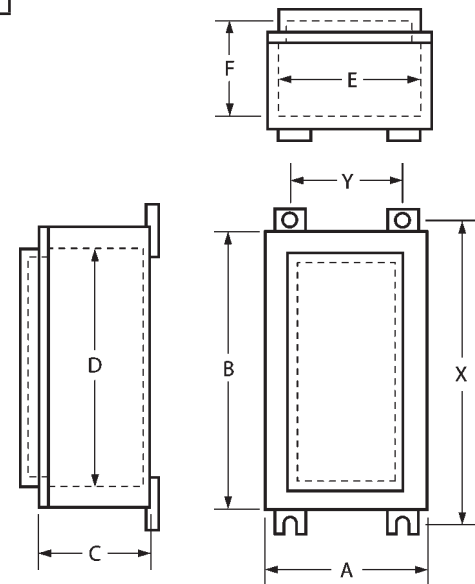
Features

- Copper-free aluminum (less than 4/10 of 1%)
- Surface mounting type box with raised cover
- Mounting lugs included as standard
- Cover screws are stainless steel
- Gaskets mechanically fastened to cover
- All DB boxes cast with wall thicknesses suitable to drill and tap conduit openings. Conduit openings may be factory or field installed. See chart for conduit size limitations. See page E55 for conduit opening data
- Enclosures are available blank or with factory modifications, options and accessories. See catalog pages E40-45 for additional details

MODIFICATIONS	
CATALOG NUMBER	DESCRIPTION
KIT-251	100 Amp ground lug
KIT-252	225 Amp ground lug

BOX WIDTH	"J" DIMENSION
6	1
8 THRU 20	1-3/8
24 AND LARGER	2

SUFFIX NUMBER	DESCRIPTION
SU2	Hinge installed
SU3	Drain and breather installed
SU8	Pan mounting studs





ENCLOSURES

JUNCTION BOXES



Class II, Div. 1 & 2, Groups E, F, G
Class III
NEMA 3R, 4, 4X, 9 (E, F, G)

LISTED - File E10514

Certified - File LR11716

APPROVED File 25132

See files for details or call Killark.

FEATURES-SPECIFICATIONS

DB ENCLOSURES WITH MOUNTING LUGS															
CATALOG NUMBER	NOMINAL DIMENSIONS								MOUNTING DIMENSIONS		CATALOG NUMBER		MAX SIZE ^① CONDUIT OPENING		MAXIMUM NUMBER OF OPERATORS [†]
	OUTSIDE			INSIDE			COVER OPENING				OPTIONAL HINGE TYPE	OPTIONAL MOUNTING PAN ^{②③}	ENDS	BACK & SIDE	
	A	B	C	D	E	F	G	H	X	Y					
DB-664	6"	6"	4"	5-3/8"	5-3/8"	4-7/32"	4-1/4"	4-1/4"	7-1/4"	4-1/4"	HINGE-4	6307-6	2	2	1 row of 1 = 1
DB-884	8"	8"	4"	7-3/8"	7-3/8"	4-5/8"	5-7/16"	5-7/16"	9-1/4"	5-7/16"	HINGE-4	6247-8	2	2	2 rows of 2 = 4
DB-886	8"	8"	6"	7-3/8"	7-3/8"	6-5/8"	5-7/16"	5-7/16"	9-1/4"	5-7/16"	HINGE-4	6247-8	2	2	2 rows of 2 = 4
DB-8106	8"	10"	6"	9-3/8"	7-3/8"	6-5/8"	7-9/32"	5-5/16"	11-1/4"	5-5/16"	HINGE-4	6247-10	2	2	2 rows of 2 = 4
DB-6126	6"	12"	6"	11-3/8"	5-3/8"	6-7/32"	10-3/16"	4-5/16"	13-1/4"	4-5/16"	HINGE-4	6307-12	2	2	4 rows of 1 = 4
DB-8146	8"	14"	6"	13-3/8"	7-3/8"	6-5/8"	11-1/4"	5-5/16"	15-1/4"	5-5/16"	HINGE-4	6247-14	2	2	4 rows of 2 = 8
DB-8188	8"	18"	8"	17-3/8"	7-3/8"	8-5/8"	15-1/4"	5-5/16"	19-1/4"	5-5/16"	HINGE-4	6247-18	2	2	5 rows of 2 = 10
DB-10106	10"	10"	6"	9-3/8"	9-3/8"	6-1/2"	7-5/16"	7-5/16"	11-1/4"	7-5/16"	HINGE-4	6248-10	2	2	2 rows of 2 = 4
DB-10148	10"	14"	8"	13-3/8"	9-3/8"	8-1/2"	11-5/16"	7-5/16"	11-1/4"	7-5/16"	HINGE-4	6248-14	2	2	4 rows of 2 = 8
DB-12148	12"	14"	8"	13-3/8"	11-3/8"	8-7/16"	11-5/16"	9-5/16"	15-1/4"	9-5/16"	HINGE-4	6249-14	4	2	4 rows of 3 = 12
DB-12168	12"	16"	8"	15-3/8"	11-3/8"	8-9/16"	13-1/4"	9-1/4"	14-1/4"	9-1/4"	HINGE-4	6249-16	4	2	4 rows of 3 = 12
DB-12188	12"	18"	8"	17-3/8"	11-3/8"	8-5/8"	15-5/32"	9-5/32"	19-1/4"	9-5/32"	HINGE-4	6249-18	4	2	5 rows of 3 = 15
DB-12248	12"	24"	8"	23-3/8"	11-3/8"	8-1/6"	21-5/16"	9-5/16"	25-1/4"	9-5/16"	HINGE-4	6249-24	4	2	8 rows of 3 = 24
DB-16188	16"	18"	8"	17-3/8"	15-3/8"	8-9/16"	15-5/16"	13-5/16"	19-1/4"	13-5/16"	HINGE-4	6250-18	4	2	5 rows of 4 = 20
DB-16248	16"	24"	8"	23-3/8"	15-3/8"	8-9/16"	21-5/16"	13-5/16"	25-1/4"	13-5/16"	HINGE-4	6250-24	4	2	8 rows of 4 = 32
DB-16368	16"	36"	8"	35-3/8"	15-3/8"	8-9/16"	33-5/16"	13-5/16"	37-1/4"	13-5/16"	HINGE-4	6250-36	4	2	12 rows of 4 = 48
DB-20248	20"	24"	8"	23-3/8"	19-3/8"	8-9/16"	21-1/2"	17-1/2"	25-1/4"	17-1/2"	HINGE-4	6251-24	4	2	8 rows of 6 = 48
DB-203010	20"	30"	10"	29-3/8"	19-3/8"	10-5/8"	27-1/4"	17-1/4"	31-1/4"	17-1/4"	HINGE-4	6251-30	4	2	10 rows of 6 = 60
DB-243010	24"	30"	10"	29-1/8"	23-1/8"	10-7/16"	26"	20"	32"	20"	*HINGE-11L	6252-30	4	4	10 rows of 7 = 70
DB-243610	24"	36"	10"	35-3/8"	23-3/8"	10-7/16"	32"	20"	38"	20"	*HINGE-11L	6252-36	4	4	12 rows of 7 = 84

① These limits are necessary to assure 3-1/2 full threads to meet Class II requirements.

② Boxes are not factory machined for a mounting pan. Add suffix SU8 if box is to be supplied with pan mounting studs.

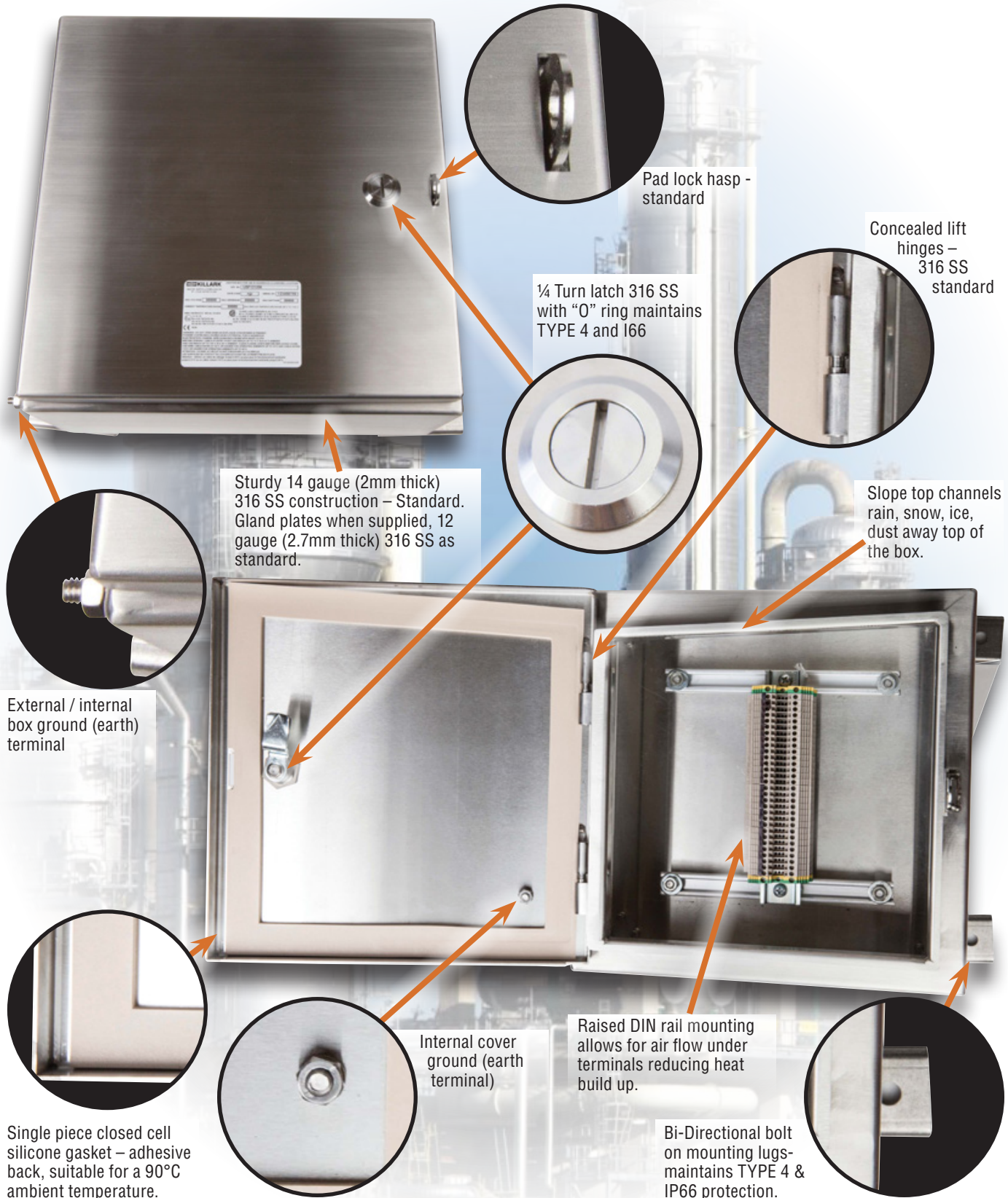
③ When pan is ordered without box, it is supplied with studs and hardware for field mounting. Machining of box for pan studs is required.

* 24" wide enclosures are furnished with hinged covers on left side as a standard feature.

† Maximum number of "G" series control operators permitted in cover, down + across = total.
Use short style "G" series operators.



TERMINAL BOXES FOR HARSH & HAZARDOUS ENVIRONMENTS





USF TERMINAL BOXES

TECHNE-TERM

FEATURES-SPECIFICATIONS

Applications

Terminal enclosures for use in hazardous, corrosive, wet, hose down, dust, dirty, for both hot and cold industrial applications for terminating conductors by means of a terminal block.

- Pulp & Paper Mills
- Grain Facilities
- Breweries
- Marine, Docks, Ports
- Electrical Power Plants
- Coal Handling
- Refineries
- Off Shore Platforms
- Petrochemical Plants
- Pumping Stations
- Chemical Plants
- Textile manufacturing
- Wastewater Treatment
- Food Processing
- Used to link electrical wires. Provide access to conductors for maintenance and system expansions
- Primary circuits for distribution to field control devices.



USF Series

cCSAus / ATEX / IEC Ex Certified

IECEx SIR 14.0054

SIRA 14ATEX3157

CE 0539 Ex II 2 G D

Ex e IIC Gb, Ex i IIC Gb

Ex tb IIC Db IP66

TA= -50°C to +45°C /T6/T80°C

TA= -50°C to +55°C /T5/T100°C

TA= -50°C to +90°C /T4/T130°C

Class I, Div. 2, Groups A, B, C & D

Ex e/ Class I, Zones 1 & 2, AEx e

Groups IIA, IIB & IIC

Class II, Groups E, F & G. Class III

Type 3, 4 & 4X

Ex tb / Zone 21 & 22 AEx tb IIC

T80°C/ T100°C/T130°C Db

IP66

CSA 15.70013872

IEEx 15.0155X INMETRO

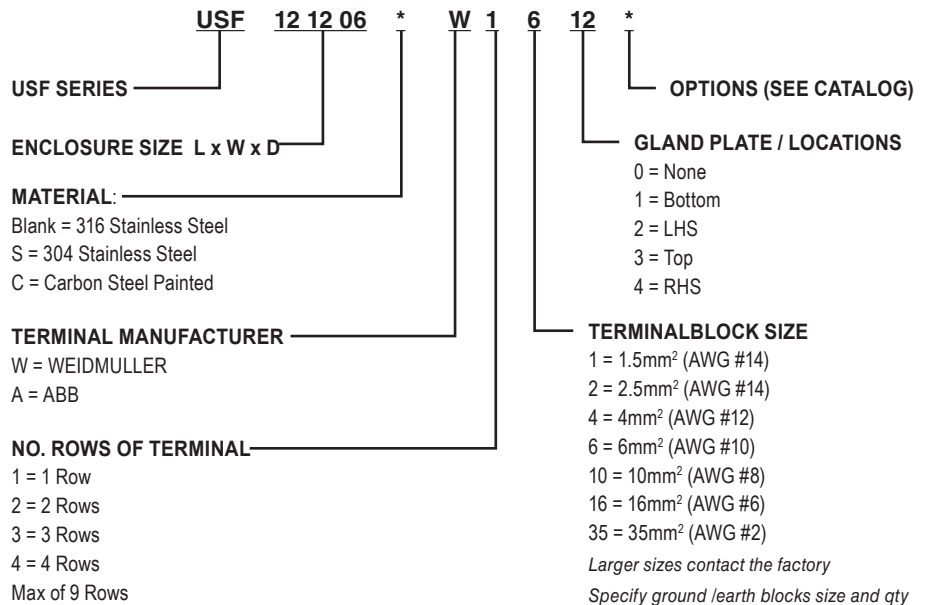


Material

- 316 stainless steel as standard.
- Option material 304 Stainless steel, carbon steel or aluminum.
- All external hardware 316 stainless steel.
- Gasket One piece high temperature closed cell silicone.

USF Terminal Box Features – 38 Sizes

- Offered with ABB or Weidmuller increase safety terminal blocks in choices of screw terminal or cage (spring) clamp styles DIN rail mounted. Intrinsically safe terminals available also.
- External slope top flange directs water, melting ice & snow and dust build up away from the opening side of the door.
- Continuous robot welded seams for a hose down tight seal.
- Concealed hinges with removable hinge pins. Standard on left side.
- Doors are interchangeable and easily removable.
- Ground/earthing studs in both cover and through wall of the box.
- Quarter turn 316 stainless steel latch
- One piece high temperature closed cell silicone gasket. With superior recovery and re-sealing properties.
- Sturdy 14 gauge box construction helps prevent bending or permanent deflection of the walls when field installing openings.
- Bi-directional removal mounting lugs for the widest flexibility during installations.
- Openings for glands or conduit factory or field installed – option for gland plates.



Larger sizes contact the factory
Specify ground leath blocks size and qty separately. Must be included in total qty.
See pages E18 & E19 for maximum qty/size of blocks per enclosure



USF TERMINAL BOXES



CATALOG NUMBER	HEIGHT IN. (MM)	WIDTH	DEPTH	"E"	"F"	"G"	"H"	"A" GLAND PLATE	"B" GLAND PLATE	"C" GLAND PLATE	WEIGHT LBS (KG)
USF121206	12 (305)	12 (305)	6 (153)	10.69 (272)	10.69 (272)	13.63 (346)	13.63 (346)	4.06 (103)	9.63 (245)	9.63 (245)	14 (6.3)
USF161206	16 (407)	12 (305)	6 (153)	10.69 (272)	14.69 (373)	13.63 (346)	17.63 (448)	4.06 (103)	13.38 (340)	9.63 (245)	20 (9.1)
USF161208	16 (407)	12 (305)	8 (203)	10.69 (272)	14.69 (373)	13.63 (346)	17.63 (448)	6.06 (154)	13.38 (340)	9.63 (245)	22 (10)
USF161210	16 (407)	12 (305)	10 (254)	10.69 (272)	14.69 (373)	13.63 (346)	17.63 (448)	8.06 (205)	13.38 (340)	9.63 (245)	24 (10.9)
USF161606	16 (407)	16 (407)	6 (153)	14.69 (373)	14.69 (373)	17.63 (448)	17.63 (448)	4.06 (103)	13.38 (340)	13.38 (340)	26 (11.8)
USF161608	16 (407)	16 (407)	8 (203)	14.69 (373)	14.69 (373)	17.63 (448)	17.63 (448)	6.06 (154)	13.38 (340)	13.38 (340)	27 (12.2)
USF161610	16 (407)	16 (407)	10 (254)	14.69 (373)	14.69 (373)	17.63 (448)	17.63 (448)	8.06 (205)	13.38 (340)	13.38 (340)	29 (13.2)
USF201606	20 (508)	16 (407)	6 (153)	18.69 (475)	14.69 (373)	21.63 (549)	17.63 (448)	4.06 (103)	17.38 (441)	13.38 (340)	29 (13.2)
USF201608	20 (508)	16 (407)	8 (203)	14.69 (373)	18.69 (475)	17.63 (448)	21.63 (549)	6.06 (154)	17.38 (441)	13.38 (340)	31 (14)
USF201610	20 (508)	16 (407)	10 (254)	14.69 (373)	18.69 (475)	17.63 (448)	21.63 (549)	8.06 (205)	17.38 (441)	13.38 (340)	32 (14.5)
USF202006	20 (508)	20 (508)	6 (153)	14.69 (373)	18.69 (475)	17.63 (448)	21.63 (549)	4.06 (103)	17.38 (441)	17.38 (441)	35 (15.9)
USF202008	20 (508)	20 (508)	8 (203)	18.69 (475)	18.69 (475)	21.63 (549)	21.63 (549)	6.06 (154)	17.38 (441)	17.38 (441)	37 (16.8)
USF202010	20 (508)	20 (508)	10 (254)	18.69 (475)	18.69 (475)	21.63 (549)	21.63 (549)	8.06 (205)	17.38 (441)	17.38 (441)	39 (17.7)
USF202012	20 (508)	20 (508)	12 (305)	18.69 (475)	18.69 (475)	21.63 (549)	21.63 (549)	10.06 (255)	17.38 (441)	17.38 (441)	44 (20)
USF241606	24 (610)	16 (407)	6 (153)	14.69 (373)	22.69 (576)	17.63 (448)	25.63 (651)	4.06 (103)	21.38 (543)	13.38 (340)	35 (15.9)
USF241608	24 (610)	16 (407)	8 (203)	18.69 (475)	18.69 (475)	21.63 (549)	21.63 (549)	6.06 (154)	21.38 (543)	13.38 (340)	36 (16.3)
USF241610	24 (610)	16 (407)	10 (254)	14.69 (373)	22.69 (576)	17.63 (448)	25.63 (651)	8.06 (205)	21.38 (543)	13.38 (340)	38 (17.2)
USF242006	24 (610)	20 (508)	6 (153)	14.69 (373)	22.69 (576)	17.63 (448)	25.63 (651)	4.06 (103)	21.38 (543)	17.38 (441)	42 (19)
USF242008	24 (610)	20 (508)	8 (203)	18.69 (475)	22.69 (576)	21.63 (549)	25.63 (651)	6.06 (154)	21.38 (543)	17.38 (441)	43 (19.5)
USF242010	24 (610)	20 (508)	10 (254)	18.69 (475)	22.69 (576)	21.63 (549)	25.63 (651)	8.06 (205)	21.38 (543)	17.38 (441)	44 (20)
USF242012	24 (610)	20 (508)	12 (305)	18.69 (475)	22.69 (576)	21.63 (549)	25.63 (651)	10.06 (255)	21.38 (543)	17.38 (441)	46 (20.9)
USF242406	24 (610)	24 (610)	6 (153)	18.69 (475)	22.69 (576)	21.63 (549)	25.63 (651)	4.06 (103)	21.38 (543)	21.38 (543)	49 (22.2)
USF242408	24 (610)	24 (610)	8 (203)	22.69 (576)	22.69 (576)	25.63 (651)	25.63 (651)	6.06 (154)	21.38 (543)	21.38 (543)	53 (24)
USF242410	24 (610)	24 (610)	10 (254)	22.69 (576)	22.69 (576)	25.63 (651)	25.63 (651)	8.06 (205)	21.38 (543)	21.38 (543)	58 (26.3)
USF242412	24 (610)	24 (610)	12 (305)	22.69 (576)	22.69 (576)	25.63 (651)	25.63 (651)	10.06 (255)	21.38 (543)	21.38 (543)	62 (28.1)
USF242416	24 (610)	24 (610)	16 (407)	22.69 (576)	22.69 (576)	25.63 (651)	25.63 (651)	14.06 (357)	21.38 (543)	21.38 (543)	71 (32.2)
USF242420	24 (610)	24 (610)	20 (508)	22.69 (576)	22.69 (576)	25.63 (651)	25.63 (651)	18.06 (458)	21.38 (543)	21.38 (543)	78 (35.4)
USF302008	30 (762)	20 (508)	8 (203)	22.69 (576)	22.69 (576)	25.63 (651)	25.63 (651)	6.06 (154)	26.00 (660)	17.38 (441)	59 (26.8)
USF302010	30 (762)	20 (508)	10 (254)	18.69 (475)	28.69 (729)	21.63 (549)	31.63 (803)	8.06 (205)	26.00 (660)	17.38 (441)	61 (27.7)
USF302408	30 (762)	24 (610)	8 (203)	18.69 (475)	28.69 (729)	21.63 (549)	31.63 (803)	6.06 (154)	26.00 (660)	21.38 (543)	56 (25.4)
USF302410	30 (762)	24 (610)	10 (254)	22.69 (576)	28.69 (729)	25.63 (651)	31.63 (803)	8.06 (205)	26.00 (660)	21.38 (543)	63 (28.6)
USF302412	30 (762)	24 (610)	12 (305)	22.69 (576)	28.69 (729)	25.63 (651)	31.63 (803)	10.06 (255)	26.00 (660)	21.38 (543)	64 (29)
USF302420	30 (762)	24 (610)	20 (508)	22.69 (576)	28.69 (729)	25.63 (651)	31.63 (803)	18.06 (458)	26.00 (660)	21.38 (543)	99 (45)
USF303008	30 (762)	30 (762)	8 (203)	22.69 (576)	28.69 (729)	25.63 (651)	31.63 (803)	6.06 (154)	26.00 (660)	26.00 (660)	68 (30.8)
USF303010	30 (762)	30 (762)	10 (254)	28.69 (729)	28.69 (729)	31.63 (803)	31.63 (803)	8.06 (205)	26.00 (660)	26.00 (660)	72 (32.7)
USF303012	30 (762)	30 (762)	12 (305)	28.69 (729)	28.69 (729)	31.63 (803)	31.63 (803)	10.06 (255)	26.00 (660)	26.00 (660)	89 (40.4)
USF362408	36 (915)	24 (610)	8 (203)	34.69 (881)	28.69 (729)	37.63 (956)	31.63 (803)	6.06 (154)	33.00 (838)	21.38 (543)	66 (30)
USF362410	36 (915)	24 (610)	10 (254)	9.79 (249)	35.20 (894)	8.15 (207)	27.63 (702)	8.06 (205)	33.00 (838)	21.38 (543)	70 (31.8)

All dimension in. (mm)



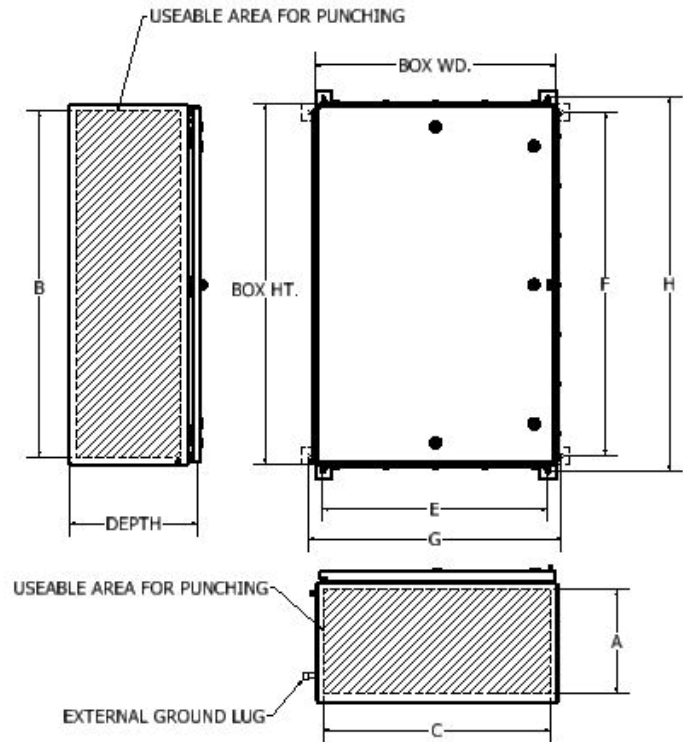
USF TERMINAL BOXES

TECHNE-TERM

CATALOG NUMBER	"A" BLANK WALL AREA	"B" BLANK WALL AREA	"C" BLANK WALL AREA	(W) MAX. POWER
USF121206	5.74 (146)	10.93 (277)	10.93 (277)	15.0
USF161206	5.74 (146)	14.93 (379)	10.93 (277)	17.0
USF161208	7.74 (196)	14.93 (379)	10.93 (277)	20.6
USF161210	9.74 (247)	14.93 (379)	10.93 (277)	23.5
USF161606	5.74 (146)	14.93 (379)	14.93 (379)	19.0
USF161608	7.74 (196)	14.93 (379)	14.93 (379)	20.0
USF161610	9.74 (247)	14.93 (379)	14.93 (379)	25.0
USF201606	5.74 (146)	18.93 (480)	14.93 (379)	21.0
USF201608	7.74 (196)	18.93 (480)	14.93 (379)	23.0
USF201610	9.74 (247)	18.93 (480)	14.93 (379)	26.0
USF202006	5.74 (146)	18.93 (480)	18.93 (480)	24.3
USF202008	7.74 (196)	18.93 (480)	18.93 (480)	26.0
USF202010	9.74 (247)	18.93 (480)	18.93 (480)	30.0
USF202012	11.74 (298)	18.93 (480)	18.93 (480)	36.0
USF241606	5.74 (146)	22.93 (582)	14.93 (379)	35.0
USF241608	7.74 (196)	22.93 (582)	14.93 (379)	36.0
USF241610	9.74 (247)	22.93 (582)	14.93 (379)	31.0
USF242006	5.74 (146)	22.93 (582)	18.93 (480)	24.5
USF242008	7.74 (196)	22.93 (582)	18.93 (480)	31.5
USF242010	9.74 (247)	22.93 (582)	18.93 (480)	33.6
USF242012	11.74 (298)	22.93 (582)	18.93 (480)	36.0
USF242406	5.74 (146)	22.93 (582)	22.93 (582)	25.8
USF242408	7.74 (196)	22.93 (582)	22.93 (582)	34.0
USF242410	9.74 (247)	22.93 (582)	22.93 (582)	34.0
USF242412	11.74 (298)	22.93 (582)	22.93 (582)	38.0
USF242416	15.74 (400)	22.93 (582)	22.93 (582)	42.0
USF242420	19.74 (501)	22.93 (582)	22.93 (582)	57.3
USF302008	7.74 (196)	28.93 (735)	18.93 (480)	36.5
USF302010	9.74 (247)	28.93 (735)	18.93 (480)	36.0
USF302408	7.74 (196)	28.93 (735)	22.93 (582)	39.0
USF302410	9.74 (247)	28.93 (735)	22.93 (582)	38.0
USF302412	11.74 (298)	28.93 (735)	22.93 (582)	40.0
USF302420	19.74 (501)	28.93 (735)	22.93 (582)	57.3
USF303008	7.74 (196)	28.93 (735)	28.93 (735)	43.0
USF303010	9.74 (247)	28.93 (735)	28.93 (735)	40.0
USF303012	11.74 (298)	28.93 (735)	28.93 (735)	46.0
USF362408	7.74 (196)	34.93 (887)	22.93 (582)	44.0
USF362410	9.74 (247)	34.93 (887)	22.93 (582)	40.0

All dimension in. (mm)

USF MAXIMUM CONDUIT / GLAND OPENINGS					
W/O GLAND PLATE			W/ GLAND PLATE		
BOX DEPTH	MAX NPT	MAX METRIC	BOX DEPTH	MAX NPT	MAX METRIC
6	3-1/2"	M100	6	2-1/2"	M75
8	4"	M100	8	4"	M100
10	4"	M100	10	4"	M100
12	4"	M100	12	4"	M100
16	4"	M100	16	4"	M100
20	4"	M100	20	4"	M100



Standard terminal offering

- ABB ZS Screw Clamp
- ABB ZS Cage (Spring) Clamp
- Weidmuller WD Screw Clamp
- Weidmuller ZD Cage (Spring) Clamp

Additional ABB & Weidmuller terminal blocks available. Contact the factory for more information.

Terminals are mounted on TS-35 DIN rail. The rails are mounted to raised collared studs or unistrut rails which adds additional air flow and wire room.

Pages E18 & E19 for maximum number of terminals and rows per enclosure.

Specify ground / earth blocks size and qty separately. Must be included in total qty.

The USF terminal boxes are suitable for use Wago, Phoenix and Klemsan Elektrik terminals.

Options

- Panel ID tag 316 stainless steel
- Tamperproof latches
- Key latches
- Copper ground / earth bars

See enclosure modification page for conduit / gland holes sizes and spacing.



ENCLOSURES

WEIDMULLER TERMINALS

Wiedmuller WDU Series Screw Terminal

Weidmuller ZDU Series Cage Clamp Terminals

Weidmuller WDUN Series Screw Clamp Terminals

Table with 8 columns (1-8 ROWS) and rows for USF1212, USF1612, USF1616, USF2016, USF2020, USF2416, USF2420, USF2424, USF3020, USF3024, USF3030, USF3624

Table with 8 columns (1-8 ROWS) and rows for USF1212, USF1612, USF1616, USF2016, USF2020, USF2416, USF2420, USF2424, USF3020, USF3024, USF3030, USF3624

Table with 9 columns (1-9 ROWS) and rows for USF1212, USF1612, USF1616, USF2016, USF2020, USF2416, USF2420, USF2424, USF3020, USF3024, USF3030, USF3624

Table with 7 columns (1-7 ROWS) and rows for USF1212, USF1612, USF1616, USF2016, USF2020, USF2416, USF2420, USF2424, USF3020, USF3024, USF3030, USF3624

Table with 7 columns (1-7 ROWS) and rows for USF1212, USF1612, USF1616, USF2016, USF2020, USF2416, USF2420, USF2424, USF3020, USF3024, USF3030, USF3624

Table with 9 columns (1-9 ROWS) and rows for USF1212, USF1612, USF1616, USF2016, USF2020, USF2416, USF2420, USF2424, USF3020, USF3024, USF3030, USF3624

Table with 7 columns (1-7 ROWS) and rows for USF1212, USF1612, USF1616, USF2016, USF2020, USF2416, USF2420, USF2424, USF3020, USF3024, USF3030, USF3624

Table with 7 columns (1-7 ROWS) and rows for USF1212, USF1612, USF1616, USF2016, USF2020, USF2416, USF2420, USF2424, USF3020, USF3024, USF3030, USF3624

Table with 9 columns (1-9 ROWS) and rows for USF1212, USF1612, USF1616, USF2016, USF2020, USF2416, USF2420, USF2424, USF3020, USF3024, USF3030, USF3624

Table with 7 columns (1-7 ROWS) and rows for USF1212, USF1612, USF1616, USF2016, USF2020, USF2416, USF2420, USF2424, USF3020, USF3024, USF3030, USF3624

Table with 7 columns (1-7 ROWS) and rows for USF1212, USF1612, USF1616, USF2016, USF2020, USF2416, USF2420, USF2424, USF3020, USF3024, USF3030, USF3624

Table with 9 columns (1-9 ROWS) and rows for USF1212, USF1612, USF1616, USF2016, USF2020, USF2416, USF2420, USF2424, USF3020, USF3024, USF3030, USF3624

Table with 7 columns (1-7 ROWS) and rows for USF1212, USF1612, USF1616, USF2016, USF2020, USF2416, USF2420, USF2424, USF3020, USF3024, USF3030, USF3624

Table with 7 columns (1-7 ROWS) and rows for USF1212, USF1612, USF1616, USF2016, USF2020, USF2416, USF2420, USF2424, USF3020, USF3024, USF3030, USF3624

Table with 9 columns (1-9 ROWS) and rows for USF1212, USF1612, USF1616, USF2016, USF2020, USF2416, USF2420, USF2424, USF3020, USF3024, USF3030, USF3624

Table with 7 columns (1-7 ROWS) and rows for USF1212, USF1612, USF1616, USF2016, USF2020, USF2416, USF2420, USF2424, USF3020, USF3024, USF3030, USF3624

Table with 7 columns (1-7 ROWS) and rows for USF1212, USF1612, USF1616, USF2016, USF2020, USF2416, USF2420, USF2424, USF3020, USF3024, USF3030, USF3624

Table with 9 columns (1-9 ROWS) and rows for USF1212, USF1612, USF1616, USF2016, USF2020, USF2416, USF2420, USF2424, USF3020, USF3024, USF3030, USF3624



SJIC / SJICH SERIES



SJIC & SJICH TERMINAL BOXES • SCREW COVER & HINGED SCREW COVER

TECHNE-TERM

FEATURES-SPECIFICATIONS

Applications

Terminal enclosures for use in hazardous, corrosive, wet, hose down, dust, dirty, for both hot and cold industrial applications for terminating conductors by means of a terminal block.

- Pulp & Paper Mills
- Grain Facilities
- Breweries
- Marine, Docks, Ports
- Electrical Power Plants
- Coal Handling
- Refineries
- Off Shore Platforms
- Petrochemical Plants
- Pumping Stations
- Chemical Plants
- Textile manufacturing
- Wastewater Treatment
- Food Processing
- Used to link electrical wires. Provide access to conductors for maintenance and system expansions
- Primary circuits for distribution to field control devices



SJIC Series

Material

- 316 stainless steel as standard.
- Option material 304 Stainless steel, carbon steel or aluminum.
- All external hardware 316 stainless steel.
- Gasket One piece high temperature closed cell silicone.

SJIC Enclosures Features—15 Sizes
SJICH Enclosures Features—11 Sizes

- Offered with ABB or Weidmuller increase safety terminal blocks in choices of screw terminal or cage (spring) clamp styles DIN rail mounted. Intrinsically safe terminals available also.
- Screw covers 316 stainless steel
- Continuous robot welded seams for a hose down tight seal.
- SJIC doors are interchangeable and easily removable.
- SJICH have continuous one piece hinge construction. Standard on left side.
- Ground/earthing studs in both cover and through wall of the box.
- One piece high temperature closed cell silicone gasket. With superior recovery and re-sealing properties.
- Sturdy 14 gauge box construction helps prevent bending or permanent deflection of the walls when field installing openings.
- Welded one piece mounting flanges top and bottom for strength.
- Openings for glands or conduit factory or field installed – option for gland plates.

cCSAus / ATEX / IEC Ex Certified

IECEX SIR 14.0054
SIRA 14ATEX3157

CE 0539 II 2 G D

Ex e IIC Gb, Ex i IIC Gb
Ex tb IIC Db IP66

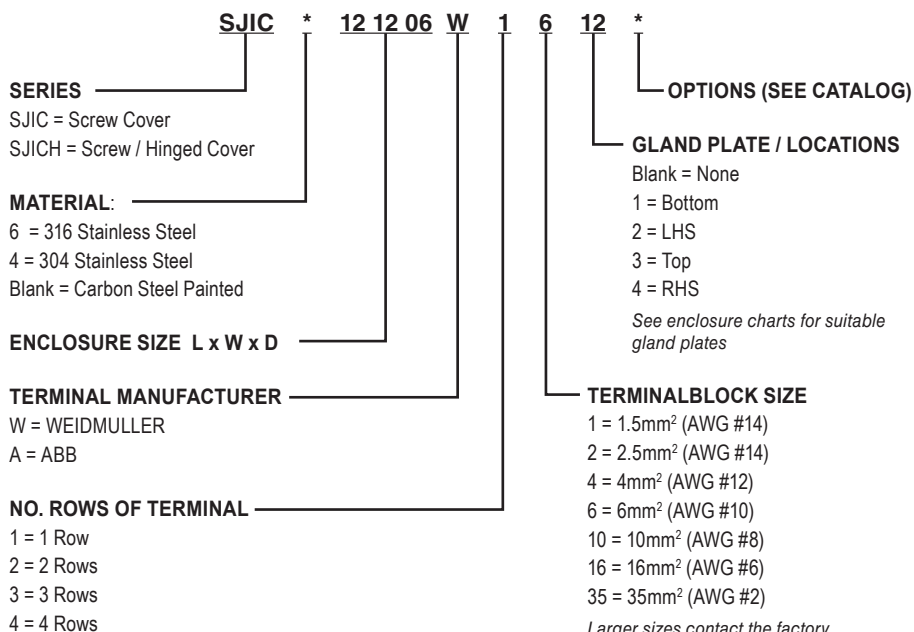
TA= -50°C to +45°C /T6/T80°C
TA= -50°C to +55°C /T5/T100°C
TA= -50°C to +90°C /T4/T130°C

Class I, Div. 2, Groups A, B, C & D
Ex e/ Class I, Zones 1 & 2, AEX e
Groups IIA, IIB & IIC
Class II, Groups E, F & G. Class III
Type 3, 4 & 4X

Ex tb / Zone 21 & 22 AEx tb IIC
T80°C/ T100°C/T130°C Db
IP66

CSA 15.70013872

IEX 15.0155X INMETRO



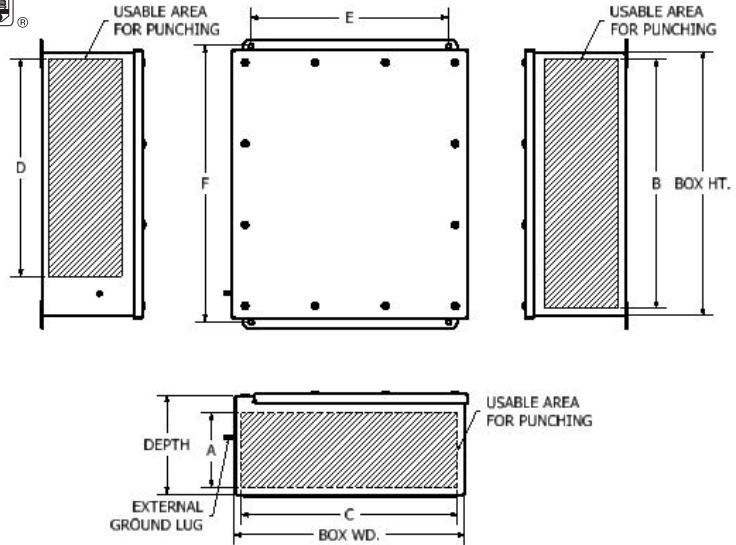
Larger sizes contact the factory
Specify ground /earth blocks size and qty separately. Must be included in total qty. See pages E23 & E24 for maximum qty/ size of blocks per enclosure



SJIC TERMINAL BOXES

TECHNE-TERM

SUFFIX NUMBER	DESCRIPTION
KIT-251	100 amp ground lug
KIT-252	225 amp ground lug
SU3-KDE	Class I Div. 2 Grps A, B, C & D, Type 4X, Ex e IIC Zone 1 IP 66 Drain & breather installed.
SU10-KDE	Class I Div. 2 Grps A, B, C & D, Type 4X, Ex e IIC Zone 1 IP 66 Drain only installed.
DC	Document Wallet (enclosures 10 x 10 and larger only)
SU9	Special paint finish
SU14	Fungus proofing of enclosures



See enclosure modification page for conduit / gland hole sizes and spacing.

CATALOG NUMBER	HEIGHT IN. (MM)	WIDTH	DEPTH	"E"	"F"	"A" BLANK WALL	"B" BLANK WALL	"C" BLANK WALL	"D" BLANK WALL
SJIC6040404	4 (102)	4 (102)	4 (102)	2.00 (51)	4.75 (121)	2.47(63)	3.13 (79)	3.13 (79)	1.19 (30)
SJIC6060404	6 (152)	4 (102)	4 (102)	2.00 (51)	6.75 (171)	2.47(63)	5.13 (130)	3.13 (79)	3.19 (81)
SJIC6060604	6 (152)	6 (152)	4 (102)	4.00 (102)	6.75 (171)	2.47(63)	5.13 (130)	5.13 (130)	3.19 (81)
SJIC6060606	6 (152)	6 (152)	6 (152)	4.00 (102)	6.75 (171)	4.47 (114)	5.13 (130)	5.13 (130)	3.19 (81)
SJIC6080606*	8 (203)	6 (152)	6 (152)	4.00 (102)	8.75 (222)	4.47 (114)	7.13 (181)	7.13 (181)	5.19 (132)
SJIC6080804	8 (203)	8 (203)	4 (102)	6.00 (152)	8.75 (222)	2.47(63)	7.13 (181)	7.13 (181)	5.19 (132)
SJIC6080806*	8 (203)	8 (203)	6 (152)	6.00 (152)	8.75 (222)	4.47 (114)	7.13 (181)	7.13 (181)	5.19 (132)
SJIC6100804	10 (254)	8 (203)	4 (102)	6.00 (152)	10.75 (273)	2.47(63)	9.13 (232)	7.13 (181)	7.19 (183)
SJIC6100806*	10 (254)	8 (203)	6 (152)	6.00 (152)	10.75 (273)	4.47 (114)	9.13 (232)	7.13 (181)	7.19 (183)
SJIC6101006*	10 (254)	10 (254)	6 (152)	8.00 (203)	10.75 (273)	4.47 (114)	9.13 (232)	9.13 (232)	7.19 (183)
SJIC6121005*	12 (305)	10 (254)	5 (127)	8.00 (203)	12.75 (324)	3.47 (88)	11.13 (283)	9.13 (232)	9.19 (233)
SJIC6121006*	12 (305)	10 (254)	6 (152)	8.00 (203)	12.75 (324)	4.47 (114)	11.13 (283)	9.13 (232)	9.19 (233)
SJIC6121206*	12 (305)	12 (305)	6 (152)	10.00 (254)	12.75 (324)	4.47 (114)	11.13 (283)	11.13 (283)	9.19 (233)
SJIC6141206*	14 (356)	12 (305)	6 (152)	10.00 (254)	14.75 (375)	4.47 (114)	13.13 (334)	11.13 (283)	11.19 (284)
SJIC6161406*	16 (406)	14 (356)	6 (152)	12 (305)	16.75 (425)	4.47 (114)	15.13 (384)	13.13 (334)	13.19 (335)

All dimension in. (mm)

*Enclosure can be supplied with gland plates

CATALOG NUMBER	(W) MAX. POWER	WEIGHT LBS / (KG)
SJIC6040404	4.1	2.83 (1.3)
SJIC6060404	5.2	3.6 (1.6)
SJIC6060604	6.1	4.9 (2.2)
SJIC6060606	8.4	5.9 (2.7)
SJIC(H)6080606	10.5	7.5 (3.4)
SJIC(H)6080804	8.4	7.9 (3.6)
SJIC(H)6080806	11.4	8.33 (3.8)
SJIC(H)6100804	8.4	9.5 (4.4)
SJIC(H)6100806	12.2	10 (4.5)
SJIC(H)6101006	13	11 (5)
SJIC(H)6121005	8.4	12 (5.4)
SJIC(H)6121006	14	13 (5.9)
SJIC(H)6121206	15	15 (6.8)
SJIC(H)6141206	16	16 (7.3)
SJIC(H)6161406	18	20 (9)

SJIC & SJICH TERMINAL BOXES

Instock Terminal Boxes

- Populated with ABB ZS4, 32 Amps 4mm² 690VAC (12 AWG 600VAC) terminal blocks.
- Supplied with two ZS 4-PE ground / earth blocks per rail.
- Blank enclosures for field modifications for gland or conduit openings.
- Material—316 stainless steel

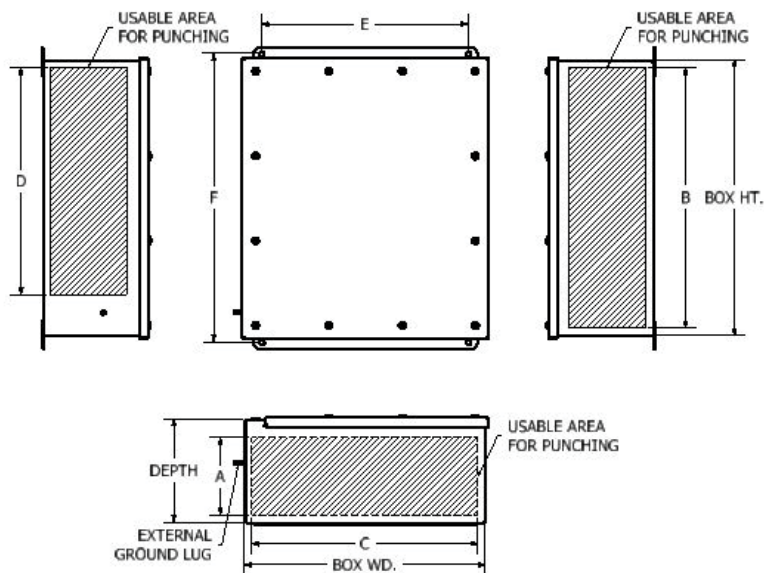
CATALOG NUMBER	TOTAL QTY OF TERMINALS	NO. OF RAILS
SJIC6040404A14	6	1
SJIC6060604A14	16	1
SJIC6100806A14	30	1
SJIC6101006A24	60	2
SJIC6121206A24	80	2



SJICH TERMINAL BOXES

TECHNE-TERM

SUFFIX NUMBER	DESCRIPTION
KIT-251	100 amp ground lug
KIT-252	225 amp ground lug
SU3-KDE	Class I Div. 2 Grps A, B, C & D, Type 4X. Ex e IIC Zone 1 IP 66 Drain & breather installed.
SU10-KDE	Class I Div. 2 Grps A, B, C & D, Type 4X. Ex e IIC Zone 1 IP 66 Drain only installed.
DC	Document Wallet (enclosures 10 x 10 and larger only)
SU9	Special paint finish
SU14	Fungus proofing of enclosures



See enclosure modification page for conduit / gland hole sizes and spacing.

CATALOG NUMBER	HEIGHT IN. (MM)	WIDTH	DEPTH	"E"	"F"	"A" BLANK WALL	"B" BLANK WALL	"C" BLANK WALL	"D" BLANK WALL	"E" BLANK WALL
SJICH6080606*	8 (203)	6 (152)	6 (152)	4.00 (102)	8.75 (222)	4.47 (114)	7.13 (181)	7.13 (181)	5.19 (132)	3.81 (97)
SJICH6080804	8 (203)	8 (203)	4 (102)	6.00 (152)	8.75 (222)	2.47(63)	7.13 (181)	7.13 (181)	5.19 (132)	1.81 (46)
SJICH6080806*	8 (203)	8 (203)	6 (152)	6.00 (152)	8.75 (222)	4.47 (114)	7.13 (181)	7.13 (181)	5.19 (132)	3.81 (97)
SJICH6100804	10 (254)	8 (203)	4 (102)	6.00 (152)	10.75 (273)	2.47(63)	9.13 (232)	7.13 (181)	7.19 (183)	1.81 (46)
SJICH6100806*	10 (254)	8 (203)	6 (152)	6.00 (152)	10.75 (273)	4.47 (114)	9.13 (232)	7.13 (181)	7.19 (183)	3.81 (97)
SJICH6101006*	10 (254)	10 (254)	6 (152)	8.00 (203)	10.75 (273)	4.47 (114)	9.13 (232)	9.13 (232)	7.19 (183)	3.81 (97)
SJICH6121005*	12 (305)	10 (254)	5 (127)	8.00 (203)	12.75 (324)	3.47 (88)	11.13 (283)	9.13 (232)	9.19 (233)	2.81 (71)
SJICH6121006*	12 (305)	10 (254)	6 (152)	8.00 (203)	12.75 (324)	4.47 (114)	11.13 (283)	9.13 (232)	9.19 (233)	3.81 (97)
SJICH6121206*	12 (305)	12 (305)	6 (152)	10.00 (254)	12.75 (324)	4.47 (114)	11.13 (283)	11.13 (283)	9.19 (233)	3.81 (97)
SJICH6141206*	14 (356)	12 (305)	6 (152)	10.00 (254)	14.75 (375)	4.47 (114)	13.13 (334)	11.13 (283)	11.19 (284)	3.81 (97)
SJICH6161406*	16 (406)	14 (356)	6 (152)	12 (305)	16.75 (425)	4.47 (114)	15.13 (384)	13.13 (334)	13.19 (335)	3.81 (97)

*Enclosure can be supplied with gland plates
All dimension in. (mm)

Standard terminal offering

- ABB ZS Screw Clamp
- ABB ZS Cage (Spring) Clamp
- Weidmuller WD Screw Clamp
- Weidmuller ZD Cage (Spring) Clamp

Terminals are mounted on TS-35 DIN rail. The rails are mounted to raised collared studs or unistrut rails which adds additional air flow and wire room.

Additional ABB & Weidmuller terminal blocks available. Contact the factory for more information.

Pages E23 & E24 for maximum number of terminals and rows per enclosure.

Specify ground / earth blocks size and qty separately. Must be included in total qty.

The SJIC(H) terminal boxes are suitable for use Wago, Phoenix and Klemsan Elektrik terminals.

Options

- Panel ID tag 316 stainless steel
- Copper ground / earth bars

SJIC / SJICH MAXIMUM CONDUIT / GLAND OPENINGS					
W/O GLAND PLATE			W/ GLAND PLATE		
BOX DEPTH	MAX NPT	MAX METRIC	BOX DEPTH	MAX NPT	MAX METRIC
4	1"	M32	4	1/2"	M20
5	1-1/2"	M50	5	1-1/4"	M40
6	3"	M80	6	2"	M63



ABB TERMINALS

ABB ZS Series Screw Terminal

ZS 4 32 AMPS 4MM² 690VAC (12 AWG 600VAC)			
	1 ROW	2 ROWS	3 ROWS
SJIC604040*	8		
SJIC606040*	18		
SJIC608060*	18		
SJIC(H)608060*	28		
SJIC(H)608080*	28		
SJIC(H)610080*	32		
SJIC(H)610100*	32	64	
SJIC(H)612100*	42	84	
SJIC(H)612120*	42	84	
SJIC(H)614120*	51	102	
SJIC(H)616140*	61	122	183
ZS 6 41 AMPS 6MM² 690VAC (10 AWG 600VAC)			
SJIC604040*	7		
SJIC606040*	15		
SJIC608060*	15		
SJIC(H)608060*	23		
SJIC(H)608080*	23		
SJIC(H)610080*	28		
SJIC(H)610100*	28	56	
SJIC(H)612100*	36	72	
SJIC(H)612120*	36	72	
SJIC(H)614120*	45	90	
SJIC(H)616140*	53	106	159
ZS 10 57 AMPS 10MM² 690VAC (6 AWG 600VAC)			
SJIC604040*	0		
SJIC606040*	0		
SJIC608060*	11		
SJIC(H)608060*	18		
SJIC(H)608080*	18		
SJIC(H)610080*	21		
SJIC(H)610100*	21		
SJIC(H)612100*	27		
SJIC(H)612120*	27	54	
SJIC(H)614120*	33	66	
SJIC(H)616140*	40	80	
ZS 16 76 AMPS 16MM² 690VAC (4 AWG 600VAC)			
SJIC604040*	0		
SJIC606040*	0		
SJIC608060*	0		
SJIC(H)608060*	0		
SJIC(H)608080*	14		
SJIC(H)610080*	16		
SJIC(H)610100*	16		
SJIC(H)612100*	22		
SJIC(H)612120*	22	44	
SJIC(H)614120*	27	54	
SJIC(H)616140*	32	64	
ZS 35 125 AMPS 35MM² 690VAC (1/0 AWG 600VAC)			
SJIC604040*	0		
SJIC606040*	0		
SJIC608060*	0		
SJIC(H)608060*	0		
SJIC(H)608080*	0		
SJIC(H)610080*	10		
SJIC(H)610100*	13		
SJIC(H)612100*	13		
SJIC(H)612120*	16		
SJIC(H)614120*	20	40	
SJIC(H)616140*	20	40	
ZS 4-D1 29 AMPS 4MM² 440VAC (12 AWG)			
SJIC604040*	7		
SJIC606040*	17		
SJIC608060*	17		
SJIC(H)608060*	27		
SJIC(H)608080*	27		
SJIC(H)610080*	32		
SJIC(H)610100*	32	64	
SJIC(H)612100*	41	82	
SJIC(H)612120*	41	82	
SJIC(H)614120*	51	102	
SJIC(H)616140*	61	122	183
ZS 4-D2 40 AMPS 6MM² 440VAC (10 AWG)			
SJIC604040*	7		
SJIC606040*	17		
SJIC608060*	17		
SJIC(H)608060*	27		
SJIC(H)608080*	27		
SJIC(H)610080*	32		
SJIC(H)610100*	32	64	
SJIC(H)612100*	41	82	
SJIC(H)612120*	41	82	
SJIC(H)614120*	51	102	
SJIC(H)616140*	61	122	183
ZS 6-D1 29 AMPS 4MM² 440VAC (12 AWG)			
SJIC604040*	6		
SJIC606040*	15		
SJIC608060*	15		
SJIC(H)608060*	23		
SJIC(H)608080*	23		
SJIC(H)610080*	27		
SJIC(H)610100*	27	54	
SJIC(H)612100*	36	72	
SJIC(H)612120*	36	72	
SJIC(H)614120*	44	88	
SJIC(H)616140*	53	106	159

ZS 6-D1 40 AMPS 6MM² 440VAC (10 AWG)			
SJIC604040*	6		
SJIC606040*	15		
SJIC608060*	15		
SJIC(H)608060*	23		
SJIC(H)608080*	23		
SJIC(H)610080*	27		
SJIC(H)610100*	27	54	
SJIC(H)612100*	36	72	
SJIC(H)612120*	36	72	
SJIC(H)614120*	44	88	
SJIC(H)616140*	53	106	159

ABB ZK Series Cage Clamp Terminals

ZK 2.5 21 AMPS 2.5MM² 690VAC (14 AWG 600VAC)			
	1 ROW	2 ROWS	3 ROWS
SJIC604040*	10		
SJIC606040*	19		
SJIC608060*	19		
SJIC(H)608060*	29		
SJIC(H)608080*	29		
SJIC(H)610080*	34		
SJIC(H)610100*	34	68	
SJIC(H)612100*	43	86	
SJIC(H)612120*	43	86	129
SJIC(H)614120*	63	106	159
SJIC(H)616140*	63	126	189
ZK 4 29 AMPS 4MM² 690VAC (12 AWG 600VAC)			
SJIC604040*	8		
SJIC606040*	16		
SJIC608060*	16		
SJIC(H)608060*	25		
SJIC(H)608080*	25		
SJIC(H)610080*	29		
SJIC(H)610100*	29	58	
SJIC(H)612100*	38	76	
SJIC(H)612120*	38	76	114
SJIC(H)614120*	46	92	138
SJIC(H)616140*	55	110	165
ZK 6 37 AMPS 6MM² 690VAC (10 AWG 600VAC)			
SJIC604040*	6		
SJIC606040*	12		
SJIC608060*	12		
SJIC(H)608060*	19		
SJIC(H)608080*	19		
SJIC(H)610080*	22		
SJIC(H)610100*	22	44	
SJIC(H)612100*	28	56	
SJIC(H)612120*	28	56	
SJIC(H)614120*	35	70	
SJIC(H)616140*	41	82	
ZK 10 51 AMPS 10MM² 690VAC (6 AWG 600VAC)			
SJIC604040*			
SJIC606040*			
SJIC608060*	10		
SJIC(H)608060*	15		
SJIC(H)608080*	15		
SJIC(H)610080*	17		
SJIC(H)610100*	17		
SJIC(H)612100*	22		
SJIC(H)612120*	22	44	
SJIC(H)614120*	27	54	
SJIC(H)616140*	32	64	
ZK 16 69 AMPS 16MM² 690VAC (4 AWG 600VAC)			
SJIC604040*			
SJIC606040*			
SJIC608060*			
SJIC(H)608060*			
SJIC(H)608080*	12		
SJIC(H)610080*	14		
SJIC(H)610100*	14		
SJIC(H)612100*	19		
SJIC(H)612120*	19		
SJIC(H)614120*	23		
SJIC(H)616140*	27	54	
ZK 2.5-3P 21 AMPS 2.5MM² 690VAC (14 AWG 600VAC)			
SJIC604040*	10		
SJIC606040*	19		
SJIC608060*	19		
SJIC(H)608060*	29		
SJIC(H)608080*	29		
SJIC(H)610080*	34		
SJIC(H)610100*	34	68	
SJIC(H)612100*	43	86	
SJIC(H)612120*	43	86	
SJIC(H)614120*	63	106	
SJIC(H)616140*	63	126	189

ZK 4-3P 29 AMPS 4MM² 690VAC (12 AWG 600VAC)			
SJIC604040*			
SJIC606040*			
SJIC608060*			
SJIC(H)608060*	16		
SJIC(H)608080*	25		
SJIC(H)608080*	25		
SJIC(H)610080*	29		
SJIC(H)610100*	29	58	
SJIC(H)612100*	38	76	
SJIC(H)612120*	38	76	
SJIC(H)614120*	46	92	
SJIC(H)616140*	55	110	165

ZK 6-3P 37 AMPS 6MM² 690VAC (10 AWG 600VAC)			
SJIC604040*			
SJIC606040*			
SJIC608060*			
SJIC(H)608060*			
SJIC(H)608080*	19		
SJIC(H)610080*	22		
SJIC(H)610100*	22		
SJIC(H)612100*	28		
SJIC(H)612120*	28	56	
SJIC(H)614120*	35	70	
SJIC(H)616140*	41	82	

ABB ZK Series Cage Clamp Terminals

ZK 2.5-4P 21 AMPS 2.5MM² 690VAC (14 AWG 600VAC)			
	1 ROW	2 ROWS	3 ROWS
SJIC604040*			
SJIC606040*			
SJIC608060*			
SJIC(H)608060*	19		
SJIC(H)608080*	29		
SJIC(H)608080*	29		
SJIC(H)610080*	34		
SJIC(H)610100*	34		
SJIC(H)612100*	43	86	
SJIC(H)612120*	43	86	
SJIC(H)614120*	63	106	
SJIC(H)616140*	63	126	
ZK 4-4P 29 AMPS 4MM² 690VAC (12 AWG 600VAC)			
SJIC604040*			
SJIC606040*	16		
SJIC608060*	25		
SJIC(H)608060*	25		
SJIC(H)608080*	29		
SJIC(H)610080*	29		
SJIC(H)610100*	29		
SJIC(H)612100*	38		
SJIC(H)612120*	38	76	
SJIC(H)614120*	46	92	
SJIC(H)616140*	55	110	



WEIDMULLER TERMINALS

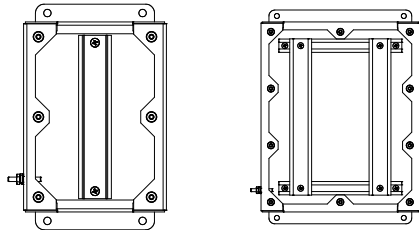
Weidmuller WD Series Screw Terminals

WDU 2.5	15 AMPS 2.5MM ² 550VAC (14 AWG)		
	1 ROW	2 ROWS	3 ROWS
SJIC604040*	9		
SJIC606040*	19		
SJIC606060*	19		
SJIC(H)608060*	29		
SJIC(H)608080*	29		
SJIC(H)610080*	34		
SJIC(H)610100*	34	68	
SJIC(H)612100*	44	88	
SJIC(H)612120*	44	88	
SJIC(H)614120*	54	108	
SJIC(H)616140*	64	128	192
WDU 4	28 AMPS 4MM ² 690VAC (12 AWG 600VAC)		
SJIC604040*	8		
SJIC606040*	16		
SJIC606060*	16		
SJIC(H)608060*	24		
SJIC(H)608080*	24		
SJIC(H)610080*	28		
SJIC(H)610100*	28	56	
SJIC(H)612100*	37	74	
SJIC(H)612120*	37	74	
SJIC(H)614120*	45	90	
SJIC(H)616140*	53	106	159
WDU 6	36 AMPS 6MM ² 550VAC (10 AWG)		
SJIC604040*	6		
SJIC606040*	12		
SJIC606060*	12		
SJIC(H)608060*	18		
SJIC(H)608080*	18		
SJIC(H)610080*	22		
SJIC(H)610100*	22	44	
SJIC(H)612100*	28	56	
SJIC(H)612120*	28	56	
SJIC(H)614120*	35	70	
SJIC(H)616140*	41	82	123
WDU 10	50 AMPS 10MM ² 550VAC (8 AWG)		
SJIC604040*	0		
SJIC606040*	0		
SJIC606060*	9		
SJIC(H)608060*	14		
SJIC(H)608080*	14		
SJIC(H)610080*	17		
SJIC(H)610100*	17		
SJIC(H)612100*	22		
SJIC(H)612120*	22	44	
SJIC(H)614120*	27	54	
SJIC(H)616140*	32	64	
WDU 16	66 AMPS 16MM ² 690VAC (6 AWG 600VAC)		
SJIC604040*	0		
SJIC606040*	0		
SJIC606060*	7		
SJIC(H)608060*	11		
SJIC(H)608080*	11		
SJIC(H)610080*	13		
SJIC(H)610100*	13		
SJIC(H)612100*	17		
SJIC(H)612120*	17	34	
SJIC(H)614120*	21	42	
SJIC(H)616140*	25	50	
WDU 35	109 AMPS 35MM ² 690VAC (2 AWG 600VAC)		
SJIC604040*	0		
SJIC606040*	0		
SJIC606060*	0		
SJIC(H)608060*	0		
SJIC(H)608080*	8		
SJIC(H)610080*	10		
SJIC(H)610100*	10		
SJIC(H)612100*	13		
SJIC(H)612120*	13		
SJIC(H)614120*	16		
SJIC(H)616140*	19	38	

WDU 2.5N	15 AMPS 2.5MM ² 440VAC (14 AWG)			
	1 ROW	2 ROWS	3 ROWS	4 ROWS
SJIC604040*	9			
SJIC606040*	19			
SJIC606060*	19			
SJIC(H)608060*	29			
SJIC(H)608080*	29			
SJIC(H)610080*	34			
SJIC(H)610100*	34	68		
SJIC(H)612100*	44	88		
SJIC(H)612120*	44	88	132	
SJIC(H)614120*	54	108	162	
SJIC(H)616140*	64	128	192	256
WDU 4N	27 AMPS 4MM ² 440VAC (12 AWG)			
SJIC604040*	8			
SJIC606040*	16			
SJIC606060*	16			
SJIC(H)608060*	24			
SJIC(H)608080*	24			
SJIC(H)610080*	28			
SJIC(H)610100*	28	56		
SJIC(H)612100*	37	74		
SJIC(H)612120*	37	74	111	
SJIC(H)614120*	45	90	135	
SJIC(H)616140*	53	106	159	212
WDK 2.5N	21 AMPS 2.5MM ² 550VAC (14 AWG) DOUBLE POLE FEED THROUGH			
SJIC604040*	7			
SJIC606040*	17			
SJIC606060*	17			
SJIC(H)608060*	27			
SJIC(H)608080*	27			
SJIC(H)610080*	32			
SJIC(H)610100*	32	64		
SJIC(H)612100*	42	84		
SJIC(H)612120*	42	84		
SJIC(H)614120*	52	104		
SJIC(H)616140*	62	124	186	
WDK 4N	28 AMPS 4MM ² 550VAC (12 AWG) DOUBLE POLE FEED THROUGH			
SJIC604040*	6			
SJIC606040*	14			
SJIC606060*	14			
SJIC(H)608060*	22			
SJIC(H)608080*	22			
SJIC(H)610080*	26			
SJIC(H)610100*	26	52		
SJIC(H)612100*	35	70		
SJIC(H)612120*	35	70		
SJIC(H)614120*	43	86		
SJIC(H)616140*	51	102	153	
WDK 2.5N V	21 AMPS 2.5MM ² 550VAC (14 AWG) FOUR POLES FEED THROUGH			
SJIC604040*	7			
SJIC606040*	17			
SJIC606060*	17			
SJIC(H)608060*	27			
SJIC(H)608080*	27			
SJIC(H)610080*	32			
SJIC(H)610100*	32	64		
SJIC(H)612100*	42	84		
SJIC(H)612120*	42	84		
SJIC(H)614120*	52	104		
SJIC(H)616140*	62	124	186	
WDK 4N V	28 AMPS 4MM ² 550VAC (12 AWG) FOUR POLES FEED THROUGH			
SJIC604040*	6			
SJIC606040*	14			
SJIC606060*	14			
SJIC(H)608060*	22			
SJIC(H)608080*	22			
SJIC(H)610080*	26			
SJIC(H)610100*	26	52		
SJIC(H)612100*	35	70		
SJIC(H)612120*	35	70		
SJIC(H)614120*	43	86		
SJIC(H)616140*	51	102	153	

Weidmuller ZD Series Cage Clamp Terminals

ZDU 2.5	21 AMPS 2.5MM ² 550VAC (14 AWG)		
	1 ROW	2 ROWS	3 ROWS
SJIC604040*	9		
SJIC606040*	19		
SJIC606060*	19		
SJIC(H)608060*	29		
SJIC(H)608080*	29		
SJIC(H)610080*	34		
SJIC(H)610100*	34	68	
SJIC(H)612100*	44	88	
SJIC(H)612120*	44	88	
SJIC(H)614120*	54	108	
SJIC(H)616140*	64	128	201
ZDU 4	28 AMPS 4MM ² 550VAC (12 AWG)		
SJIC604040*	8		
SJIC606040*	16		
SJIC606060*	16		
SJIC(H)608060*	24		
SJIC(H)608080*	24		
SJIC(H)610080*	28		
SJIC(H)610100*	28	56	
SJIC(H)612100*	37	74	
SJIC(H)612120*	37	74	
SJIC(H)614120*	45	90	
SJIC(H)616140*	53	106	201
ZDU 6	36 AMPS 6MM ² 550VAC (10 AWG)		
SJIC604040*	6		
SJIC606040*	12		
SJIC606060*	12		
SJIC(H)608060*	18		
SJIC(H)608080*	18		
SJIC(H)610080*	21		
SJIC(H)610100*	21	42	
SJIC(H)612100*	27	54	
SJIC(H)612120*	27	54	
SJIC(H)614120*	34	68	
SJIC(H)616140*	40	80	201
ZDU 10	50 AMPS 10MM ² 550VAC (8 AWG)		
SJIC604040*			
SJIC606040*			
SJIC606060*	9		
SJIC(H)608060*	14		
SJIC(H)608080*	14		
SJIC(H)610080*	17		
SJIC(H)610100*	17		
SJIC(H)612100*	22		
SJIC(H)612120*	22	44	
SJIC(H)614120*	27	54	
SJIC(H)616140*	32	64	
ZDU 16	66 AMPS 16MM ² 690VAC (6 AWG 600VAC)		
SJIC604040*			
SJIC606040*			
SJIC606060*			
SJIC(H)608060*			
SJIC(H)608080*	12		
SJIC(H)610080*	14		
SJIC(H)610100*	14		
SJIC(H)612100*	18		
SJIC(H)612120*	18	36	
SJIC(H)614120*	22	44	
SJIC(H)616140*	26	52	
ZDU 35	109 AMPS 35MM ² 690VAC (2 AWG 600VAC)		
SJIC604040*			
SJIC606040*			
SJIC606060*			
SJIC(H)608060*			
SJIC(H)608080*			
SJIC(H)610080*			
SJIC(H)610100*	11		
SJIC(H)612100*	14		
SJIC(H)612120*	14		
SJIC(H)614120*	17		
SJIC(H)616140*	20		





IEC Ex e RATINGS

ABB TERM BLOCK	TERMINAL RESISTIVE OHMS	MAX AMPS	MAX VAC	MAX WIRE SIZE				WIRE STRIP LENGTH IN. (MM)	TORQUE VALUES	
				MAX WIRE - METRIC		MAX WIRE - USA			NM	LB.IN
				MM ²	RESISTIVE OHMS/M	AWG	RESISTIVE OHMS/M			
ZS4	0.00098	32	690	4	0.00461	12	0.005210	0.413 (10.5)	0.6	5.3
ZS6	0.00077	41	690	6	0.00308	10	0.003277	0.413 (10.5)	0.85	7.5
ZS10	0.0018	57	690	10	0.00183	6	0.001296	0.472 (12.0)	1.3	11.5
ZS16	0.0024	76	690	16	0.00115	4	0.000813	0.531 (13.5)	1.8	15.9
ZS35	0.004	125	690	35	0.000524	1/0	0.000323	0.669 (17.0)	2.9	25.7
ZS4-D1	0.00226	29	440	4	0.00461	12	0.005210	0.394 (10.0)	0.6	5.3
ZS6-D1	0.00226	40	440	6	0.00308	10	0.003277	0.394 (10.0)	0.85	7.5
ZS4-D2	0.0026	29	440	4	0.00461	12	0.005210	0.394 (10.0)	0.6	5.3
ZS6-D2	0.0026	40	440	6	0.00308	10	0.003277	0.394 (10.0)	0.85	7.5
ZK2.5	0.0008	21	630	2.5	0.00741	12	0.005210	0.433 (11.0)	N/A	N/A
ZK4	0.001	29	630	4	0.00461	10	0.003277	0.492 (12.5)		
ZK6	0.0013	37	630	6	0.00308	8	0.002061	0.492 (12.5)		
ZK10	0.0018	51	630	10	0.00115	6	0.001296	0.591 (15.0)		
ZK16	0.0024	69	630	16	0.000524	4	0.000813	0.591 (15.0)		
ZK2.5-3P	0.0008	21	630	2.5	0.00741	12	0.005210	0.433 (11.0)		
ZK4-3P	0.001	29	630	4	0.00461	10	0.003277	0.492 (12.5)		
ZK6-3P	0.0013	37	630	6	0.00308	8	0.002061	0.492 (12.5)		
ZK2.5-4P	0.0008	21	630	2.5	0.00741	12	0.005210	0.433 (11.0)		
ZK4-4P	0.001	29	630	4	0.00461	10	0.003277	0.492 (12.5)		

WEIDMULLER TERM BLOCK	TERMINAL RESISTIVE OHMS	MAX AMPS	MAX VAC	MAX WIRE SIZE				WIRE STRIP LENGTH IN. (MM)	TORQUE VALUES	
				MAX WIRE - METRIC		MAX WIRE - USA			NM	LB.IN
				MM ²	RESISTIVE OHMS/M	AWG	RESISTIVE OHMS/M			
WDU 2.5	0.00033	15	550	2.5	0.00741	14	0.008284	0.394 (10.0)	0.4 - 0.8	0.3 - 0.6
WDU 4	0.00031	28	690	4	0.00461	12	0.005210	0.394 (10.0)	0.5 - 1.0	0.4 - 0.7
WDU 6	0.00028	36	550	6	0.00308	10	0.003277	0.472 (12.0)	0.8 - 1.6	0.6 - 1.2
WDU 10	0.0002	50	550	10	0.00183	8	0.002061	0.472 (12.0)	1.2 - 2.4	0.9 - 1.8
WDU 16	0.00015	66	690	16	0.00115	6	0.001296	0.630 (16.0)	2.0 - 4.0	1.5 - 3.0
WDU 35	0.0001	109	690	35	0.000524	2	0.000513	0.708 (18.0)	4.0 - 5.0	3.0 - 3.7
WDU 2.5N	0.00036	15	440	2.5	0.00741	14	0.008284	0.394 (10.0)	0.4 - 0.6	0.3 - 0.4
WDU 4N	0.00033	27	440	4	0.00461	12	0.005210	0.433 (11.0)	0.5 - 1.0	0.4 - 0.7
WDK 2.5N	0.00053	21	550	2.5	0.00741	14	0.008284	0.315 (8.0)	0.4 - 0.6	0.3 - 0.4
WDK 4N	0.00033	28	550	4	0.00461	12	0.005210	0.315 (8.0)	0.5 - 1.0	0.4 - 0.7
WDK 2.5NV	0.00076	21	550	2.5	0.00741	14	0.008284	0.315 (8.0)	0.4 - 0.6	0.3 - 0.4
WDK 4NV	0.00045	28	550	4	0.00461	12	0.005210	0.315 (8.0)	0.5 - 1.0	0.4 - 0.7
ZDU 2.5	0.00033	21	550	2.5	0.00741	14	0.008284	0.394 (10.0)	N/A	N/A
ZDU 4	0.00031	28	550	4	0.00461	12	0.005210	0.472 (12.0)		
ZDU 6	0.00028	36	550	6	0.00308	10	0.003277	0.512 (13.0)		
ZDU 10	0.0002	50	550	10	0.00183	8	0.002061	0.708 (18.0)		
ZDU 16	0.00015	66	550	16	0.00115	6	0.001296	0.708 (18.0)		
ZDU 35	0.0001	109	550	35	0.000524	2	0.000513	0.980 (25.0)		

PHOENIX TERM BLOCK	TERMINAL RESISTIVE OHMS	MAX AMPS	MAX VAC	MAX WIRE SIZE				WIRE STRIP LENGTH IN. (MM)	TORQUE VALUES	
				MAX WIRE - METRIC		MAX WIRE - USA			NM	LB.FT
				MM ²	RESISTIVE OHMS/M	AWG	RESISTIVE OHMS/M			
UT 2.5	0.00041	22	690	2.5	0.00741	12	0.005210	0.35 (9.00)	0.5 - 0.6	0.4
UT 4	0.00026	30	690	4	0.00461	10	0.003277	0.35 (9.00)	0.6 - 0.8	0.4 - 0.6
UT 6	0.0002	40	690	6	0.00308	8	0.002061	0.39 (10.00)	1.5 - 1.8	1.1 - 1.3
UT 10	0.00014	54	690	10	0.00183	6	0.001296	0.39 (10.00)	1.5 - 1.8	1.1 - 1.3
UT 16	0.00016	73.5	690	16	0.00115	4	0.000813	0.55 (14.00)	2.5 - 3	1.8 - 2.2
UT 35	0.00006	126	690	35	0.000524	1/0	0.000323	0.708 (18.00)	3.2 - 3.7	2.4 - 2.7
UK 2.5N	0.00041	24	550	2.5	0.00741	14	0.008284	0.28 (7.00)	0.6 - 0.8	0.4 - 0.6
UK 3N	0.0005	29	690	2.5	0.00461	12	0.005210	0.315 (8.0)	0.6 - 0.8	0.4 - 0.6
UK 5N	0.00037	32	690	4	0.00308	10	0.003277	0.315 (8.0)	0.6 - 0.8	0.4 - 0.6
UK 6N	0.00016	41	690	6	0.00183	8	0.002061	0.39 (10.00)	1.5 - 1.8	1.1 - 1.3
UK 10N	0.00012	57	690	10	0.00115	6	0.001296	0.39 (10.00)	1.5 - 1.8	1.1 - 1.3
UK 16N	0.00017	74	690	16	0.000524	4	0.000813	0.433 (11.0)	1.5 - 1.8	1.1 - 1.3
ST 2.5	0.00141	21	550	2.5	0.00741	12	0.005210	0.39 (10.00)	N/A	N/A
ST 4	0.00063	30	550	4	0.00461	10	0.003277	0.39 (10.00)		
ST 6	0.00056	36.5	550	6	0.00308	8	0.002061	0.472 (12.0)		
ST 10	0.0004	50	550	10	0.00183	6	0.001296	0.708 (18.00)		
ST 16	0.00034	65	550	16	0.00115	4	0.000813	0.708 (18.00)		
ST 35	0.00021	108	690	35	0.000524	2	0.000513	0.980 (25.0)		



USF / SJIC / SJICH ENCLOSURES



TABLE 1: Minimum distance from edge of box to the center of the conduit / cable entry.

NPT (METRIC)	4"	3-1/2"	3" (M75)	2-1/2" (M63)	2" (M50)	1-1/2" (M40)	1-1/4" (M32)	1" (M25)	3/4" (M20)	1/2" (M16)
IN. (MM)	2-3/4 (70)	2-1/2 (64)	2 (51)	2 (51)	1-5/8 (41)	1-3/8 (35)	1-1/4 (32)	1 (25)	7/8 (22)	3/4 (19)

TABLE 2 Minimum distance from edge of gland plate to the center of the conduit / cable entry.

NPT (METRIC)	4" (M100)	3-1/2" (M80)	3" (M75)	2-1/2" (M63)	2" (M50)	1-1/2" (M40)	1-1/4" (M32)	1" (M25)	3/4" (M20)	1/2" (M16)
IN. (MM)	3-1/4 (83)	3 (76)	2-3/4 (70)	2-1/2 (64)	2-1/8 (54)	1-7/8 (48)	1-3/4 (44)	1-1/2 (38)	1-3/8 (35)	1-1/4 (32)

TABLE 3: NEC / CEC minimum wire bending space from inside wall of the enclosure, North America applications only.

SIZE AWG (MM2)	16 (1.5)	14 (2.5)	12 (4)	10 (6)	8 (10)	6 (16)	4 (25)	2 (35)	1/0 (50)	2/0 (70)	3/0 (95)	4/0 (120)
IN. (MM)	1.5 (38)	1.5 (38)	1.5 (38)	1.5 (38)	1.5 (38)	2 (51)	3 (76)	3.5 (89)	5.5 (140)	6 (152)	6.5 (164)	7 (178)

TABLE 4: Punched hole diameters. For additional sizes not shown please contact the factory.

NPT	4"	3-1/2"	3"	2-1/2"	2"	1-1/2"	1-1/4"	1"	3/4"	1/2"
MAX. HOLE DIA. IN. (MM)	4.53 (115.06)	4.03 (102.36)	3.53 (89.66)	2.905 (73.79)	2.405 (61.08)	1.93 (49.2)	1.69 (42.93)	1.345 (34.16)	1.08 (27.4)	.87 (22.09)
METRIC	M100	M80	M75	M63	M50	M40	M32	M25	M20	M16
MAX. HOLE DIA. MM (IN.)	100.7 (3.94)	80.7 (3.15)	75.7 (2.95)	63.7 (2.48)	50.7 (1.97)	40.7 (1.58)	32.7 (1.26)	25.7 (0.98)	20.7 (0.79)	16.7 (0.63)

TABLE 5: Minimum distance of the center line to center line of the conduit / cable entries.

(NPT) [METRIC]	4 [M100]	3 1/2 [M80]	3 [M75]	2 1/2 [M63]	2 [M50]	1 1/2 [M40]	1 1/4 [M32]	1 [M25]	3/4 [M20]	1/2 [M16]
1/2 [M16]	3 5/8 [92mm]	3 3/8 [86mm]	3 1/8 [80mm]	2 3/4 [70mm]	2 1/2 [64mm]	2 1/4 [58mm]	2 1/8 [54mm]	1 7/8 [48mm]	1 3/4 [45mm]	1 5/8 [41mm]
3/4 [M20]	3 3/4 [96mm]	3 1/2 [89mm]	3 1/4 [83mm]	2 7/8 [74mm]	2 5/8 [68mm]	2 3/8 [60mm]	2 1/4 [58mm]	2 [51mm]	1 7/8 [48mm]	
1 [M25]	3 7/8 [99mm]	3 5/8 [92mm]	3 3/8 [86mm]	3 [77mm]	2 3/4 [70mm]	2 1/2 [64mm]	2 3/8 [60mm]	2 1/8 [54mm]		
1 1/4 [M32]	4 1/8 [105mm]	3 7/8 [99mm]	3 1/2 [89mm]	3 1/4 [83mm]	3 [77mm]	2 3/4 [70mm]	2 1/2 [64mm]			
1 1/2 [M40]	4 1/4 [108mm]	4 [102mm]	3 3/4 [96mm]	3 3/8 [86mm]	3 1/8 [80mm]	2 7/8 [73mm]				
2 [M50]	4 3/4 [121mm]	4 1/2 [115mm]	4 [102mm]	3 5/8 [92mm]	3 3/8 [86mm]					
2 1/2 [M63]	4 7/8 [124mm]	4 5/8 [118mm]	4 1/4 [108mm]	3 7/8 [99mm]						
3 [M75]	5 1/4 [134mm]	5 [127mm]	4 5/8 [118mm]							
3 1/2 [M80]	5 3/4 [147mm]	5 1/2 [140mm]								
4 [M100]	6 1/4 [159mm]									

All dimension in. (mm)



ALUMINUM OUTLET BODIES WITH TERMINAL BLOCK



GECTT-2-6TB



Class I, Div. 1 & 2, Groups C,D
 Class I, Zones 1 & 2, Groups IIB, IIA
 Class II, Div. 1 & 2, Groups E, F, G
 Class III
 NEMA 7 (C, D), 9 (E, F, G)

UL LISTED - File E10514

SP Certified - File LR11716

FEATURES-SPECIFICATIONS

Applications

GE series conduit boxes with terminals are installed in conduit systems within hazardous areas to:

- Protect conductors in threaded rigid conduit
- Act as pull and splice boxes
- Interconnect lengths of conduit
- Change conduit direction
- Provide access to conductors for maintenance and future system changes
- Used to link electrical wires. Primary circuit brought into the enclosure is distributed to field control devices or sensors

Features

- Water shedding cover-suitable for wet locations when mounted in upright position
- External cover threads on body protecting conductors from damage during pulling
- No pinching of conductors during cover installation

- Three different hub arrangements
- Taper threaded hubs to provide ground continuity
- Smooth integral hub bushing to protect conductor insulation when pulling
- Weather-resistant finish
- Green ground screw standard in all boxes
- Weidmuller 6 point MK3 terminal block is mounted inside box on raised pads

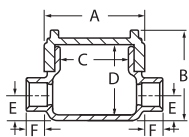
- Terminal rated 300V max/20 AMP/for wire size #22--12AWG
- Hub type XTF furnished with mounting flange

Material/Finish

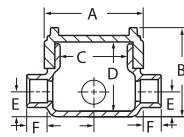
- Body and cover are copper-free aluminum (less than 4/10 of 1%)
- Finish-Electrostatically applied powder coating

GE SERIES OUTLET BOX WITH 6 POINT TERMINAL BLOCK										
HUB TYPE	CATALOG NUMBER	HUB SIZE	A	B	C	D	E	F	COVER OPENING	VOLUME CU. IN.
C	GECTT-2-6TB	3/4"	3-11/16" (94)	3-5/8" (92)	2-11/16" (68)	2-3/4" (70)	1" (25)	13/16" (21)	2-11/16" (68)	19
T	GECTT-2-6TB	3/4"								
X	GECXT-2-6TB	3/4"								
XTF	GECXTF-2-6TB	3/4"								

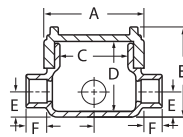
* For type 4 "O" ring order part number GEC-RG



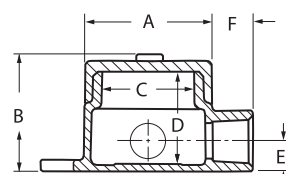
C Type



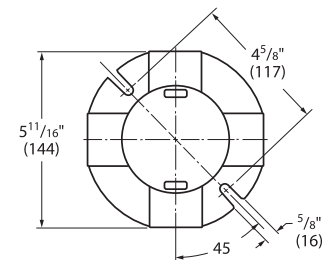
T Type



X Type



XTF Type
With Mounting Flange





INSTRUMENT / DEVICE – UL / CSA / ATEX / IECEX



GEB-C with Cover



Application Example



Class I, Div. 1 & 2, Groups B, C, D
 Class I, Zone 1 & 2, Groups IIC, IIB, IIA
 Class II, Div. 1 & 2, Groups E, F, G
 Class III
 Enclosure Type 3, 4 & 4X IP66

UL Classified - File E83969

SP Certified - LR11716

Sira 12ATEX1243U
 IECEx SIR 12.0106U

II 2 G D
 Ex d IIC Gb
 Ex e IIC Gb
 Ex t IIIC Db
 Service Ta = -40°C to +163°C* IP66

FEATURES-SPECIFICATIONS

Applications

GEB-EX Series is designed to house small instrumentation or devices for installation in a classified or a zone designated hazardous location anywhere on the **globe** today.

Typical types of instruments are transmitters, monitors, detectors, measurement devices, relays and other control devices.

The **GEB-EX Series** enclosures are suitable for a broad range of **Global Applications** meeting both domestic and international electrical code requirements.

Features

- Body opening 3-1/2" Dia. x 3" deep.
- Cover o-ring supplied as standard for **TYPE 4X and IP66** applications.
- Available in 4 configurations, C, L, T & X with **1/2" through 1-1/2" NPT taper threaded hubs** providing ground continuity.
- Smooth integral hub busing to protect conductor insulation when pulling.
- Metric M20 through M50 openings also available.
- External cover threads on the body protecting conductors from damages during pulling.
- No pinching of conductors during cover installation.
- One internal & two external grounding (earthing) connections
- Boxes have integral mounting lugs.
- Lugs on cover permit easy removal and tightening.

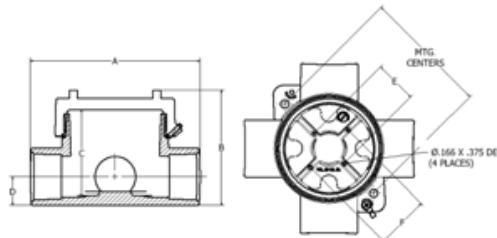
Materials

- Box & cover: Copper free aluminum (less than 4/10 of 1%)
- Finish: Electrostatically applied powder coating – Grey
- O-Ring Gasket Material: Nitrile compound
- Hub Sizes: 1/2 NPT to 1-1/2 NPT and M20 to M50
- Stainless steel tamper-proof locking set screw in cover.
- "X" configured cast-in mounting pad. Supplied with 4 corded holes for #8-32 self-tapping screws for mounting devices as standard. Units can also be provided with internal customer specified drilling and tapping for OEM device mounting.

HUB TYPE	CATALOG NUMBER	HUB SIZE	CATALOG NUMBER	HUB SIZE	HUB TYPE	CATALOG NUMBER	HUB SIZE	CATALOG NUMBER	HUB SIZE
C	GEB-C-1-EX	1/2"⊙	GEB-C-M20-EX	M20	L	GEBL-1-EX	1/2"⊙	GEBL-M20-EX	M20
	GEB-C-2-EX	3/4"	GEB-C-M25-EX	M25		GEBL-2-EX	3/4"	GEBL-M25-EX	M25
	GEB-C-3-EX	1"	GEB-C-M32-EX	M32		GEBL-3-EX	1"	GEBL-M32-EX	M32
	GEB-C-4-EX	1-1/4"	GEB-C-M40-EX	M40		GEBL-4-EX	1-1/4"	GEBL-M40-EX	M40
	GEB-C-5-EX	1-1/2"	GEB-C-M50-EX	M50		GEBL-5-EX	1-1/2"	GEBL-M50-EX	M50
T	GEB-T-1-EX	1/2"⊙	GEB-T-M20-EX	M20	X	GEBX-1-EX	1/2"⊙	GEBX-M20-EX	M20
	GEB-T-2-EX	3/4"	GEB-T-M25-EX	M25		GEBX-2-EX	3/4"	GEBX-M25-EX	M25
	GEB-T-3-EX	1"	GEB-T-M32-EX	M32		GEBX-3-EX	1"	GEBX-M32-EX	M32
	GEB-T-4-EX	1-1/4"	GEB-T-M40-EX	M40		GEBX-4-EX	1-1/4"	GEBX-M40-EX	M40
	GEB-T-5-EX	1-1/2"	GEB-T-M50-EX	M50		GEBX-5-EX	1-1/2"	GEBX-M50-EX	M50
	GEB-T-24-EX	3/4 – 1-1/4"	GEB-T-M25M40-EX	M25-M40					
GEB-T-25-EX	3/4 – 1-1/2"	GEB-T-M25M50-EX	M25-M50						

⊙ GEB*-2-EX supplied with 3/4" to 1/2" reducers

DIMENSIONS									
A	B	C	D	E	F	COVER OPENING	VOLUME IN ³ / ML	MOUNTING CENTERS	
6.5" (165)	4.31" (110)	2.94" (75)	1.09" (28)	1.62" (41)	2.03" (51)	3.5" (89)	29 (48)	4.81" (122)	

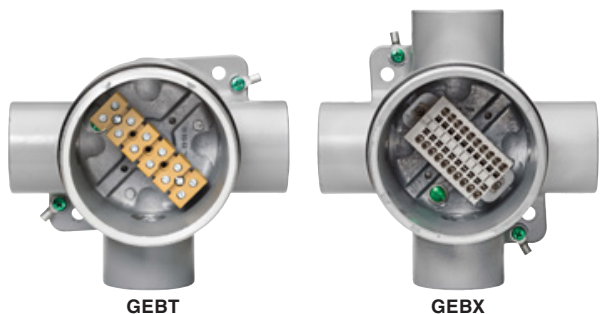




GEB SERIES



STOCK TERMINAL BOXES - UL / CSA / ATEX / IEC EX WITH PANEL MOUNTED TERMINALS



CLASSIFIED - File E83969
 UL - Certified - LR11716
 Sira 12ATEX1244
 IEC Ex SIR 12.0107

Class I, Div. 1 & 2, Groups B, C, D
 Class I, Zone 1 & 2, Groups IIC, IIB, IIA
 Class II, Div. 1 & 2, Groups E, F, G
 Class III
 Enclosure Type 3, 4 & 4X IP66
 II 2 G D CE 0539
 Ex d IIC T3* Gb
 Ex t IIIC T200°C* Db
 Ta = -40°C to +138°C* IP66



FEATURES-SPECIFICATIONS

Applications

Used within hazardous areas to splice or terminate conductors by means of a terminal block.

Acts as a pull and splice box.

Provides access to conductors for maintenance and future

Used to link and distribute electrical wires through a conduit or gland system to field controlled devices or sensors.

Features

- Cover o-ring supplied as standard for **Type 4X and IP66** applications
- Available in 3 configurations, C, T & X with either **3/4" or 1" NPT taper threaded hubs** providing ground continuity
- Smooth integral hub bushing to protect conductor insulation when pulling
- Also available in M20 through M50 metric sizes
- No pinching of conductors during cover installation
- Three options of terminal blocks to select from
- One Internal and two external grounding (earthing) screws.
- Lugs on covers permits for easy removal and tightening

Industrial Applications

- Petroleum Refineries
- Oil Rigs & Platforms
- Chemical/Petrochemical Plants
- Parmaceutical Facilities
- Automotive Repair Facilities
- Aircraft Facilities
- Wet/Corrosive Environments
- Grain Elevators

Materials

- Box & cover: Copper free aluminum (less than 4/10 of 1%)
- Finish: Electrostatically applied powder coating – Grey
- O-Ring Gasket Material: Nitrile compound
- Hub Sizes: 3/4 NPT & 1" NPT
- Stainless steel tamper-proof locking set screw in cover

Terminal Blocks Specifications

8TBMK: Weidmuller® MK3/8 Qty 8 points
 UL = 600VAC, 5AMP, #22 to #12 AWG
 CSA = 300VAC, 25AMP, #22 to #12 AWG
 IEC = 400VAC, 24AMP, 2.5mm²

6TBMK: Weidmuller® MK6/6 Qty 6 points
 UL = 300VAC, 20AMP, #22 to #10 AWG
 CSA = 300VAC, 40AMP, #22 to #10 AWG
 IEC = 690VAC, 41AMP, 6mm²

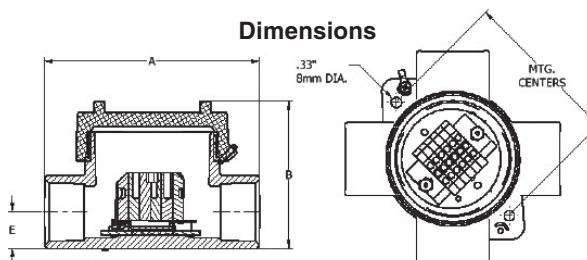
10TBMK: Weidmuller® ZDUB2.5 Qty 10 points
 UL = 600VAC, 20AMP, #26 to #12 AWG
 CSA = 600VAC, 25AMP, #26 to #12 AWG
 IEC = 690VAC, 24AMP, 2.5mm²

***T Codes Ratings / Wattage Input**

- 20 Watts of Power
 Ta 48°C = T6 / T85°C
 Ta 63°C = T5 / T100°C
 Ta 98°C = T4 / T135°C
 Ta 163°C = T3 / T200°C
- 30 Watts of Power
 Ta 50°C = T5 / T100°C
 Ta 85°C = T4 / T135°C
 Ta 150°C = T3 / T200°C
- 40 Watts of Power
 Ta 38°C = T5 / T100°C
 Ta 73°C = T4 / T135°C
 Ta 138°C = T3 / T200°C

A	B	E	COVER OPENING	VOLUME IN ³ / ML	MOUNTING CENTERS
5.5" 140mm	4.31" 110mm	1.09" 28mm	3.5" 89mm	29 48ml	4.81" 122mm

HUB TYPE	CATALOG NUMBER	HUB SIZE	CATALOG NUMBER	HUB SIZE
C	GEBX-2-8TBMK-EX	3/4"	GEBX-3-8TBMK-EX	1"
	GEBX-2-6TBMK-EX		GEBX-3-6TBMK-EX	
	GEBX-2-10TBZD-EX		GEBX-3-10TBZD-EX	
T	GEBT-2-8TBMK-EX	3/4"	GEBT-3-8TBMK-EX	1"
	GEBT-2-6TBMK-EX		GEBT-3-6TBMK-EX	
	GEBT-2-10TBZD-EX		GEBT-3-10TBZD-EX	
X	GEBX-2-8TBMK-EX	3/4"	GEBX-3-8TBMK-EX	1"
	GEBX-2-6TBMK-EX		GEBX-3-6TBMK-EX	
	GEBX-2-10TBZD-EX		GEBX-3-10TBZD-EX	



ENCLOSURES



GEB SERIES

TERMINAL BOXES - UL / CSA / ATEX / IEC Ex CONFIGURED PANEL MOUNTED TERMINALS



GEBX Open



GEBT Open

CLASSIFIED - File E83969
 Certified - LR11716
 Sira 12ATEX1244
 IEC Ex SIR 12.0107

Class I, Div. 1 & 2, Groups B, C, D
 Class I, Zone 1 & 2, Groups IIC, IIB, IIA
 Class II, Div. 1 & 2, Groups E, F, G
 Class III
 Enclosure Type 3, 4 & 4X IP66
 II 2 G D 0539
 Ex d IIC T* Gb
 Ex t IIIC T* C Db
 Ta = -40°C to +*°C IP66



FEATURES-SPECIFICATIONS

Applications

Used within hazardous areas to splice or terminate conductors by means of a terminal block.

Acts as a pull and splice box.

Provides access to conductors for maintenance and future

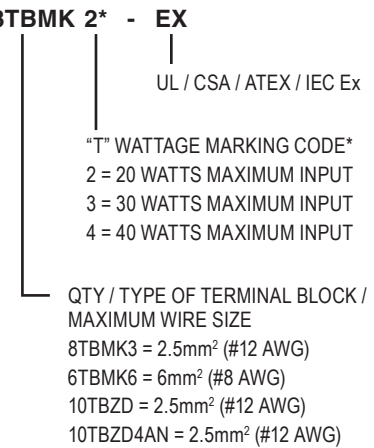
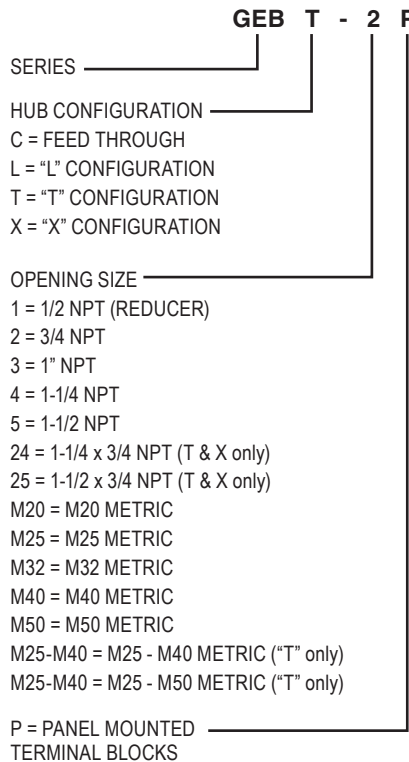
Used to link and distribute electrical wires through a conduit or gland system to field controlled devices or sensors.

Features

- Cover o-ring supplied as standard for **Type 4X and IP66** applications
- Available in 4 configurations, C, L, T & X with **either 1/2" to 1-1/2" NPT taper threaded hubs** providing ground continuity
- Smooth integral hub bushing to protect conductor insulation when pulling
- Also available in M20 through M50 metric sizes
- External cover threads on the body protecting conductors from damages during pulling.
- No pinching of conductors during cover installation
- Two terminal block manufacturers to choose from, Weidmuller® and ABB®
- Three options of terminal blocks to select from
- One Internal and two external grounding (earthing) screws.
- Lugs on covers permits for easy removal and tightening

Materials

- Box & cover: Copper free aluminum (less than 4/10 of 1%)
- Finish: Electrostatically applied powder coating - Grey
- O-Ring Gasket Material: Nitrile compound supplied as a standard on all units
- Hub Sizes: 1/2 NPT to 1-1/2" NPT and M20 to M50
- Stainless steel tamper-proof locking set screw in cover



*T Codes Ratings / Wattage Input

- 20 Watts of Power
 Ta 48°C = T6 / T85°C
 Ta 63°C = T5 / T100°C
 Ta 98°C = T4 / T135°C
 Ta 163°C = T3 / T200°C
- 30 Watts of Power
 Ta 50°C = T5 / T100°C
 Ta 85°C = T4 / T135°C
 Ta 150°C = T3 / T200°C
- 40 Watts of Power
 Ta 38°C = T5 / T100°C
 Ta 73°C = T4 / T135°C
 Ta 138°C = T3 / T200°C

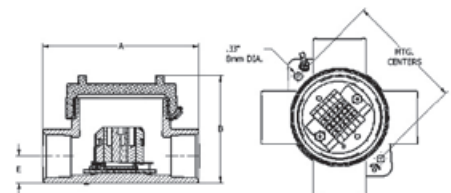
Terminal Blocks Specifications

8TBMK: Weidmuller® MK3/8 Qty 8 points
 UL = 600VAC, 5AMP, #22 to #12 AWG
 CSA = 300VAC, 25AMP, #22 to #12 AWG
 IEC = 400VAC, 24AMP, 2.5mm²

6TBMK: Weidmuller® MK6/6 Qty 6 points
 UL = 300VAC, 20AMP, #22 to #10 AWG
 CSA = 300VAC, 40AMP, #22 to #10 AWG
 IEC = 690VAC, 41AMP, 6mm²

10TBMK: Weidmuller® ZDUB2.5 Qty 10 points
 UL = 600VAC, 20AMP, #26 to #12 AWG
 CSA = 600VAC, 25AMP, #26 to #12 AWG
 IEC = 690VAC, 24AMP, 2.5mm²

10TBMK4AN: Weidmuller® ZDUB2.5/4AN/DM
 4 Connections Qty 10 points
 UL = 600VAC, 20AMP, #26 to #12 AWG
 CSA = 600VAC, 25AMP, #26 to #12 AWG
 IEC = 690VAC, 24AMP, 2.5mm²



A	B	E	COVER OPENING	VOLUME IN ³ / ML	MOUNTING CENTERS
5.5"	4.31"	1.09"	3.5"	29	4.81"
140mm	110mm	28mm	89mm	48ml	122mm



GEB SERIES



TERMINAL BOXES - UL / CSA / ATEX / IEC EX DIN RAIL MOUNTED TERMINALS



GEBX

CLASSIFIED - File E83969
 (UL)
 (SR) Certified - LR11716
 Sira 12ATEX1244
 IEC Ex SIR 12.0107

Class I, Div. 1 & 2, Groups B, C, D
 Class I, Zone 1 & 2, Groups IIC, IIB, IIA
 Class II, Div. 1 & 2, Groups E, F, G
 Class III
 Enclosure Type 3, 4 & 4X IP66
 II 2 G D CE 0539
 Ex d IIC T* Gb
 Ex t IIIC T* C Db
 Ta = -40°C to +*°C IP66



FEATURES-SPECIFICATIONS

Applications

Used within hazardous areas to splice or terminate conductors by means of a terminal block.

Acts as a pull and splice box.

Provides access to conductors for maintenance and future

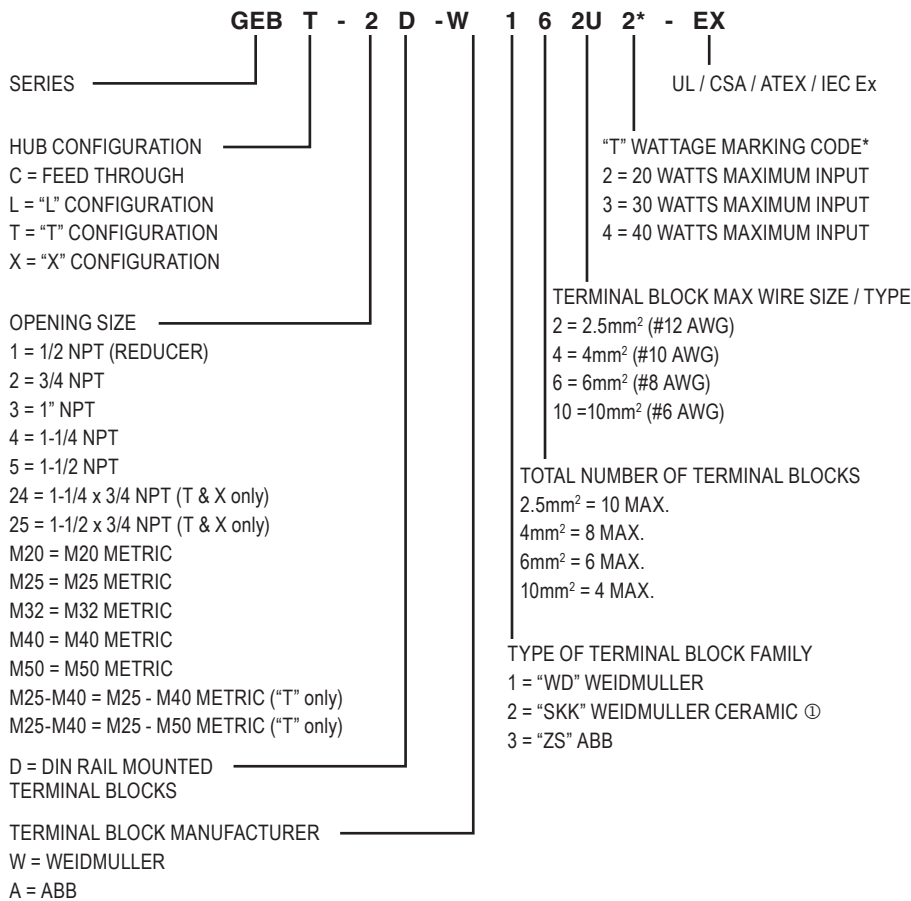
Used to link and distribute electrical wires through a conduit or gland system to field controlled devices or sensors.

Features

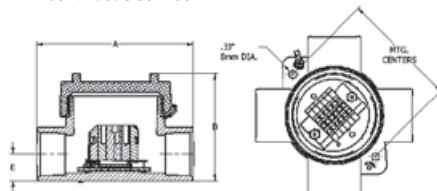
- Cover o-ring supplied as standard for **Type 4X and IP66** applications
- Available in 4 configurations, C, L, T & X with **either 1/2" to 1-1/2" NPT taper threaded hubs** providing ground continuity
- Smooth integral hub bushing to protect conductor insulation when pulling
- Also available in M20 through M50 metric sizes
- External cover threads on the body protecting conductors from damages during pulling.
- No pinching of conductors during cover installation
- Two terminal block manufacturers to choose from, Weidmuller® and ABB®
- Three options of terminal blocks to select from
- One Internal and two external grounding (earthing) screws.
- Lugs on covers permits for easy removal and tightening

Materials

- Box & cover: Copper free aluminum (less than 4/10 of 1%)
- Finish: Electrostatically applied powder coating - Grey
- O-Ring Gasket Material: Nitrile compound supplied as a standard on all units
- Hub Sizes: 1/2 NPT to 1-1/2" NPT and M20 to M50
- Stainless steel tamper-proof locking set screw in cover



Ⓢ SKK available in 4mm² blocks only and max qty is 6. The SKK are rated up +250°C continuous service



A	B	E	COVER OPENING	VOLUME IN ³ / ML	MOUNTING CENTERS
5.5"	4.31"	1.09"	3.5"	29	4.81"
140mm	110mm	28mm	89mm	48ml	122mm

*T Codes Ratings / Wattage Input

- 20 Watts of Power
 Ta 48°C = T6 / T85°C
 Ta 63°C = T5 / T100°C
 Ta 98°C = T4 / T135°C
 Ta 163°C = T3 / T200°C
- 30 Watts of Power
 Ta 50°C = T5 / T100°C
 Ta 85°C = T4 / T135°C
 Ta 150°C = T3 / T200°C
- 40 Watts of Power
 Ta 38°C = T5 / T100°C
 Ta 73°C = T4 / T135°C
 Ta 138°C = T3 / T200°C



JUNCTION BOXES



Class I, Div. 1 & 2, Groups B^①, C, D
Class I, Zones 1 & 2, Groups IIB+H₂, IIA
Class II, Div. 1 & 2, Groups E, F, G
Class III, Div. 1 & 2 ENCL TYPE 3, 4, 4X^②
NEMA 3, 4, 4X^②, 7 (B, C, D), 9 (E, F, G)
CENELEC/ATEX/IEC Ex Ex d IIB + H2 T5 or T6
Ex tD A21 IP66
Tamb ≤ + 60°C

ATEX / IEC Ex Certified

#UL886 - Outlet Boxes and Fittings for use in Hazardous (Classified) Locations. File #E10514

#UL698 & #UL1203 - Explosion Proof and Dust Ignition Proof Electrical Equipment. Files #E83969 & E12379

#C22.2 No. 30-M1986 -Explosion Proof Enclosure for use in Class I Hazardous Locations. FILE #LR11716

II 2 GD 0539

PTB 07 ATEX 1025U (Empty Housing)

PTB 07 ATEX 1024 (Enclosure with Controls)

IEC Ex 07.0022U

IEC Ex 07.0023



FEATURES-SPECIFICATIONS

QUANTUM

Applications

- Locations made hazardous due to the presence of flammable gases or vapors, combustible dust, or easily ignitable fibers and flyings, and areas which are subject to corrosion, weather and dampness
- Petroleum Refineries, Chemical and Petrochemical plants with indoor and outdoor processes
- Applications requiring junction, pull and/or splices boxes
- Enclosure to house control stations, meters, relays, starters, circuit breakers, terminal blocks and other equipment or devices

- **Global applications (ATEX/IEC Ex) Enclosures are available for global applications with "CEN" suffix. Assemblies that are modified to ATEX IEC Ex standards maintain their North American certifications.**

- Enclosures are available blank or with factory modifications, options and accessories. See catalog pages E40-E45 for additional details

Features

- Copper-Free Cast Aluminum Construction. High strength, lighter in weight, corrosion resistant
- Fewer Cover Bolts. Computer-aided design lessens the number of cover bolts by eliminating corner bolts. Reduces installation and maintenance time
- Gasketed Flange. Nitrile (BUNA-N) "O" ring gasket is located inside bolt circle to prevent water seeping into enclosure
- Ductile Mounting Lugs. Lugs are made of ductile aluminum alloy to adjust to irregular mounting surfaces without damaging enclosure. Enclosure size 8x12x6 and larger furnished with bi-directional mounting lugs which may be positioned either vertically or horizontally to facilitate mounting
- Hinges. All enclosure sizes 8x12x6 and larger are supplied as standard with hinges mounted on the left side. Smaller enclosures are drilled for field installation of two Killark HINGE-9 assemblies or can be installed at factory by adding SU2 to catalog number. For hinges to be located in other positions, specify when ordering

- Recessed Flange Notches. Flanges are notched to allow for easier cover opening with prying instrument without flange damage
- Enclosures are cast with wall thickness suitable for drilling and tapping of conduit openings in all sides and back of boxes. Conduit size and location information is found on dimensional chart in this section. Conduit openings can be factory or field installed
- Mounting pan bosses are pre-drilled at factory for field mounting of optional mounting pan

Material/Finish

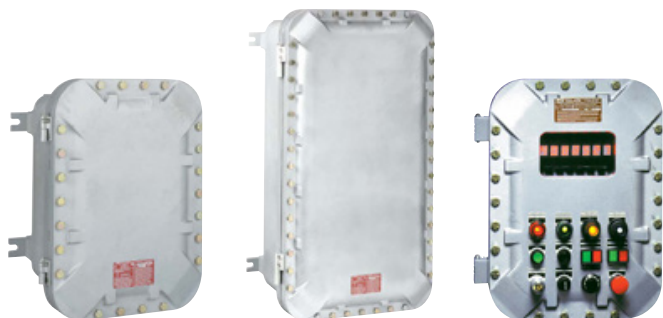
- Enclosure: Copper-free aluminum (less than 4/10 of 1%)
- Hinges: Aluminum with stainless steel hardware
- Steel Cover Bolts
- Optional Mounting Pans: Sheet aluminum
- Optional Windows: Tempered soda lime glass
- Aluminum Lacquer Paint Finish Standard

^① Conduits must be sealed within 18" for Group B applications.

^② Type 4X and NEMA 4X with optional SU-1 modification.



JUNCTION BOXES



See page E33 for area classification and certification information

FEATURES-SPECIFICATIONS

MODIFICATIONS	
SUFFIX NUMBER	DESCRIPTION
KIT-251	100 amp ground lug
KIT-252	225 amp ground lug
SU3-ATEX ^①	ATEX IECEx Drain & breather installed. Groups B & Ex d IIB+H2
SU3B-4X	Type 4X drain D & breather installed Group B, C, D Type 4X
SU2	Install hinges (8x10 and smaller enclosures)
SU9	Special paint finish
SU14	Fungus proofing of enclosures
SU93	Do not paint enclosures
SU1	Stainless steel external hardware for Type 4X
TOE PLATE KIT	Door guide plate to assist in aligning installing cover bolts

^① The installation of a SU3-ATEX will void the TYPE 4-4X and IP66 ratings of enclosure.

Hinges

Hinges are provided standard on 6x12x4 EXB boxes and on sizes 8x12x6 and larger. Smaller size EXB boxes are factory drilled for field installation of (2) HINGE-12L on left side.

For replacement hinges use HINGE-11L for enclosures size 8x12x6 through 16x24x10. HINGE-10L is for use with box size 18x24x8 and larger. (See page E41 for hinge information.)

Order Mounting pan as separate item and specify if factory or field installed.

† Maximum number of "G" series control operators permitted in cover, down + across = total. See Controls section when selecting "G" Series control operators.

Note: For Group B applications all conduit openings must be sealed within 18" of enclosures.

② Not ATEX approved

③ cCSAus only

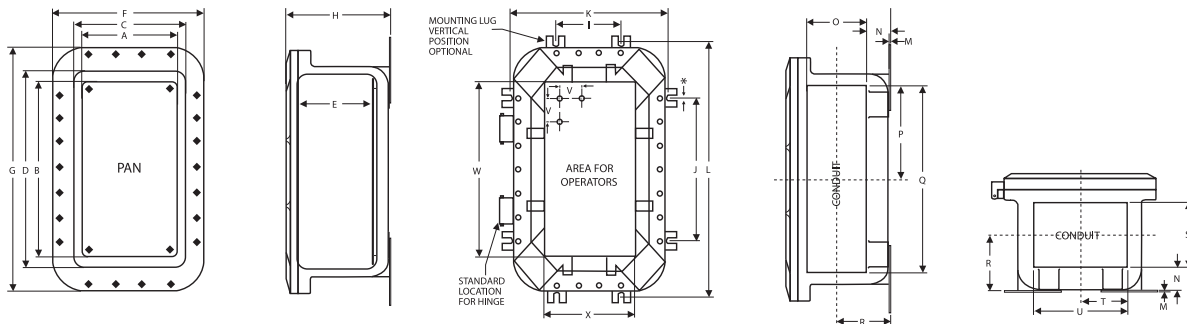
EXB JUNCTION BOXES AND ENCLOSURES					
CATALOG NUMBER	NOMINAL ENCLOSURE INSIDE DIMENSIONS W" L" D" (MM)	MAXIMUM CONDUIT SIZE	OPTIONAL MOUNTING PAN NUMBER	MAXIMUM NUMBER OF OPERATORS†	WEIGHT LBS (KGS)
EXB-664 N34	6x6x4 (152x152x102)	2"	7997-5	2 rows of 2 = 4	18 (8.17)
EXB-684 N34 ^②	6x8x4 (152x203x102)	2"	7997-1	2 rows of 3 = 6	26.6 (12.08)
EXB-6124 N34 ^②	6x12x4 (152x305x102)	2"	7997-6	4 rows of 2 = 8	70 (31.78)
EXB-886 N34	8x8x6 (203x203x152)	2"	7996-1	3 rows of 3 = 9	30 (13.62)
EXB-8104 N34	8x10x4 (203x254x102)	2"	7996-2	4 rows of 3 = 12	35 (15.89)
EXB-8106 N34	8x10x6 (203x254x152)	2"	7996-2	4 rows of 3 = 12	38 (17.25)
EXB-8126 N34	8x12x6 (203x305x152)	3"	17619	4 rows of 3 = 12	47 (21.34)
EXB-8128 N34	8x12x8 (203x305x203)	4"	17619	4 rows of 3 = 12	67 (30.42)
EXB-10106 N34	10x10x6 (254x254x152)	3"	17618	3 rows of 3 = 9	92 (41.77)
EXB-10108 N34	10x10x8 (254x254x203)	5"	17618	3 rows of 3 = 9	72 (32.69)
EXB-10146 N34	10x14x6 (254x356x152)	3"	17617	5 rows of 3 = 15	82 (37.23)
EXB-10148 N34	10x14x8 (254x356x203)	5"	17617	5 rows of 3 = 15	89 (40.41)
EXB-12126 N34	12x12x6 (305x305x152)	3"	7988-1	4 rows of 4 = 16	75 (34.05)
EXB-12128 N34	12x12x8 (305x305x203)	5"	7988-1	4 rows of 4 = 16	83 (37.68)
EXB-12186 N34	12x18x6 (305x457x152)	3"	15515	7 rows of 4 = 28	110 (49.94)
EXB-12188 N34	12x18x8 (305x457x203)	5"	15515	7 rows of 4 = 28	120 (54.48)
EXB-12246 N34	12x24x6 (305x610x152)	3"	7988-4	9 rows of 4 = 36	145 (65.83)
EXB-12248 N34	12x24x8 (305x610x203)	5"	7988-4	9 rows of 4 = 36	160 (72.64)
EXB-122412 N34	12x24x12 (305x610x305)	5"	7988-4	9 rows of 4 = 36	190 (86.26)
EXB-12368 N34	12x36x8 (305x914x203)	5"	17620	14 rows of 4 = 56	231 (104.87)
EXB-123610 N34	12x36x10 (305x914x254)	6"	17620	14 rows of 4 = 56	245 (111.23)
EXB-14146 N34	14x14x6 (356x356x152)	3"	17621	5 rows of 5 = 25	121 (54.93)
EXB-14148 N34	14x14x8 (356x356x203)	5"	17621	5 rows of 5 = 25	136 (61.74)
EXB-16166 N34	16x16x6 (406x406x152)	3"	7995-1	6 rows of 6 = 36	127 (57.66)
EXB-16168 N34	16x16x8 (406x406x203)	5"	7995-1	6 rows of 6 = 36	138 (62.65)
EXB-16248 N34	16x24x8 (406x610x203)	5"	17622	8 rows of 5 = 40	251 (113.95)
EXB-162410 N34	16x24x10 (406x610x254)	6"	17622	8 rows of 5 = 40	266 (120.76)
EXB-18186 N34	18x18x6 (457x457x152)	3"	17623	6 rows of 6 = 36	206 (93.52)
EXB-18188 N34	18x18x8 (457x457x203)	5"	17623	6 rows of 6 = 36	220 (99.88)
EXB-18248 N34	18x24x8 (457x610x203)	5"	15516	9 rows of 7 = 63	240 (108.96)
EXB-182410 N34	18x24x10 (457x610x254)	6"	15516	9 rows of 7 = 63	260 (118.04)
EXB-18308 N34 ^{②③}	18x30x8 (457x762x203)	5"	22061	11 rows of 7 = 77	320 (145.28)
EXB-18368 N34	18x36x8 (457x914x203)	5"	15517	13 rows of 7 = 91	380 (172.52)
EXB-183610 N34	18x36x10 (457x914x254)	6"	15517	13 rows of 7 = 91	405 (183.87)
EXB-203611 N34	20x36x11 (508x914x279)	6"	17596	13 rows of 7 = 91	540 (245.16)
EXB-24248 N34	24x24x8 (610x610x203)	5"	8000-1	9 rows of 9 = 81	330 (149.82)
EXB-242410 N34	24x24x10 (610x610x254)	6"	8000-1	9 rows of 9 = 81	350 (158.90)
EXB-24308 N34	24x30x8 (610x762x203)	5"	20567	9 rows of 7 = 63	430 (195.22)
EXB-24368 N34	24x36x8 (610x914x203)	5"	17624	11 rows of 7 = 77	531 (241.07)
EXB-243610 N34	24x36x10 (610x914x254)	6"	17624	11 rows of 7 = 77	506 (229.72)



JUNCTION BOXES

CATALOG NUMBER	EXB DIMENSIONS												
	INTERNAL DIMENSIONS (INCHES)				EXTERNAL DIMENSIONS (INCHES)			MOUNTING DIMENSIONS (INCHES)					
	PAN		AVAILABLE FOR DEVICES		F	G	H	I	J	K	L	M	
	A	B	C	D	E								
EXB-664 N34	5 (127.0)	5 (127.0)	5.73 (145.5)	5.73 (145.5)	4.31 (109.47)	10.32 (262.13)	10.32 (262.13)	6.09 (154.69)	N/A	4.00 (101.60)	7.88 (200.15)	N/A	0.19 (4.83)
EXB-684 N34	5 (127.0)	7 (177.8)	5.75 (146.1)	7.75 (196.9)	4.18 (106.17)	10.25 (260.35)	12.25 (311.15)	6.12 (155.45)	N/A	4.00 (101.60)	7.88 (200.15)	N/A	0.19 (4.83)
EXB-6124 N34	5 (127.0)	11 (279.4)	5.75 (146.1)	11.75 (298.5)	4.25 (107.95)	10.69 (271.53)	16.69 (423.93)	7.00 (177.80)	N/A	7.82 (198.63)	7.88 (200.15)	N/A	0.19 (4.830)
EXB-886 N34	7 (177.8)	7 (177.8)	7.59 (192.8)	7.59 (192.8)	6.06 (153.92)	12.32 (312.93)	12.32 (312.93)	8.09 (205.49)	N/A	6.00 (152.40)	9.88 (250.95)	N/A	0.19 (4.83)
EXB-8104 N34	7 (177.8)	9 (228.6)	7.73 (196.3)	9.73 (247.1)	4.06 (103.12)	12.32 (312.93)	14.32 (363.73)	6.32 (160.53)	N/A	8.00 (203.20)	9.88 (250.95)	N/A	0.19 (4.83)
EXB-8106 N34	7 (177.8)	9 (228.6)	7.59 (192.8)	9.59 (243.6)	6.06 (153.92)	12.32 (312.93)	14.32 (363.73)	8.32 (211.33)	N/A	8.00 (203.20)	9.88 (250.95)	N/A	0.19 (4.83)
EXB-8126 N34	7 (177.8)	11 (279.4)	8 (203.2)	12 (304.8)	6.38 (161.54)	13.25 (336.55)	17.25 (438.15)	8.70 (220.98)	3.82 (97.03)	7.82 (198.63)	10.38 (263.65)	14.38 (365.25)	0.19 (4.83)
EXB-8128 N34	7 (177.8)	11 (279.4)	8 (203.2)	12 (304.8)	8.38 (212.34)	13.25 (336.55)	17.25 (438.15)	10.70 (271.78)	3.82 (97.03)	7.82 (198.63)	10.38 (263.65)	14.38 (365.25)	0.19 (4.83)
EXB-10106 N34	9 (228.6)	9 (228.6)	10 (254.0)	10 (254.0)	6.20 (157.48)	15.25 (387.35)	15.25 (387.35)	8.90 (226.06)	4.94 (125.48)	4.94 (125.48)	12.94 (328.68)	12.94 (328.68)	0.25 (6.35)
EXB-10108 N34	9 (228.6)	9 (228.6)	10 (254.0)	10 (254.0)	8.20 (208.28)	15.25 (387.35)	15.25 (387.35)	10.90 (276.86)	4.94 (125.48)	4.94 (125.48)	12.94 (328.68)	12.94 (328.68)	0.25 (6.35)
EXB-10146 N34	9 (228.6)	13 (330.2)	10 (254.0)	14 (355.6)	6.20 (157.48)	15.25 (387.35)	19.25 (488.95)	8.90 (226.06)	4.94 (125.48)	8.94 (227.08)	12.94 (328.68)	16.94 (430.28)	0.25 (6.35)
EXB-10148 N34	9 (228.6)	13 (330.2)	10 (254.0)	14 (355.6)	8.20 (208.28)	15.25 (387.35)	19.25 (488.95)	10.90 (276.86)	4.94 (125.48)	8.94 (227.08)	12.94 (328.68)	16.94 (430.28)	0.25 (6.35)
EXB-12126 N34	10.5 (266.7)	10.5 (266.7)	11.5 (292.1)	11.5 (292.1)	6.00 (152.40)	16.38 (416.05)	16.38 (416.05)	8.69 (220.73)	6.94 (176.28)	6.94 (176.28)	14.94 (379.48)	14.94 (379.48)	0.25 (6.35)
EXB-12128 N34	10.5 (266.7)	10.5 (266.7)	11.37 (288.8)	11.37 (288.8)	8.00 (203.20)	16.38 (416.05)	16.38 (416.05)	10.69 (271.53)	6.94 (176.28)	6.94 (176.28)	14.94 (379.48)	14.94 (379.48)	0.25 (6.35)
EXB-12186 N34	10 (254.0)	16 (406.4)	11.5 (292.1)	17.5 (444.5)	6.00 (152.40)	16.38 (416.05)	22.38 (568.45)	9.06 (230.12)	6.94 (176.28)	12.88 (327.15)	14.94 (379.48)	20.88 (530.35)	0.25 (6.35)
EXB-12188 N34	10 (254.0)	16 (406.4)	11.37 (288.8)	17.37 (441.2)	8.00 (203.20)	16.38 (416.05)	22.38 (568.45)	11.06 (280.92)	6.94 (176.28)	12.88 (327.15)	14.94 (379.48)	20.88 (530.35)	0.25 (6.35)
EXB-12246 N34	10.25 (260.4)	22.25 (565.2)	11.5 (292.1)	23.5 (596.9)	6.00 (152.40)	16.38 (416.05)	28.38 (720.85)	9.32 (236.73)	6.94 (176.28)	18.88 (479.55)	14.94 (379.48)	26.88 (682.75)	0.25 (6.35)
EXB-12248 N34	10.25 (260.4)	22.25 (565.2)	11.37 (288.8)	23.37 (593.6)	8.00 (203.20)	16.38 (416.05)	28.38 (720.85)	11.32 (287.53)	6.94 (176.28)	18.88 (479.55)	14.94 (379.48)	26.88 (682.75)	0.25 (6.35)
EXB-122412 N34	10.25 (260.4)	22.25 (565.2)	11.37 (288.8)	23.37 (593.6)	12.00 (304.80)	16.38 (416.05)	28.38 (720.85)	15.32 (389.13)	6.94 (176.28)	18.88 (479.55)	14.94 (379.48)	26.88 (682.75)	0.25 (6.35)
EXB-12368 N34	11 (279.4)	35 (889.0)	12 (304.8)	36 (914.4)	8.12 (206.25)	17.25 (438.15)	41.25 (1047.75)	11.40 (289.56)	7.00 (177.80)	31.00 (787.40)	15.00 (381.00)	39.00 (990.60)	0.25 (6.35)
EXB-123610 N34	11 (279.4)	35 (889.0)	12 (304.8)	36 (914.4)	10.12 (257.05)	17.25 (438.15)	41.25 (1047.75)	13.40 (340.36)	7.00 (177.80)	31.00 (787.40)	15.00 (381.00)	39.00 (990.60)	0.25 (6.35)
EXB-14146 N34	13 (330.2)	13 (330.2)	14 (355.6)	14 (355.6)	6.20 (157.48)	19.25 (488.95)	19.25 (488.95)	9.40 (238.76)	9.00 (228.60)	9.00 (228.60)	17.00 (431.80)	17.00 (431.80)	0.25 (6.35)
EXB-14148 N34	13 (330.2)	13 (330.2)	14 (355.6)	14 (355.6)	8.20 (208.28)	19.25 (488.95)	19.25 (488.95)	11.40 (289.56)	9.00 (228.60)	9.00 (228.60)	17.00 (431.80)	17.00 (431.80)	0.25 (6.35)
EXB-16166 N34	14 (355.6)	14 (355.6)	15.5 (393.7)	15.5 (393.7)	6.00 (152.40)	20.38 (517.65)	20.38 (517.65)	9.19 (233.43)	10.94 (277.88)	10.94 (277.88)	18.94 (481.08)	18.94 (481.08)	0.25 (6.35)
EXB-16168 N34	14 (355.6)	14 (355.6)	15.37 (390.4)	15.37 (390.4)	8.00 (203.20)	20.38 (517.65)	20.38 (517.65)	11.19 (284.23)	10.94 (277.88)	10.94 (277.88)	18.94 (481.08)	18.94 (481.08)	0.25 (6.35)
EXB-16248 N34	15 (381.0)	23 (584.2)	16 (406.4)	24 (609.6)	8.12 (206.25)	21.25 (539.75)	29.25 (742.95)	12.00 (304.80)	11.38 (289.05)	19.38 (492.25)	19.38 (492.25)	27.38 (695.45)	0.25 (6.35)
EXB-162410 N34	15 (381.0)	23 (584.2)	16 (406.4)	24 (609.6)	10.12 (257.05)	21.25 (539.75)	29.25 (742.95)	14.00 (355.60)	11.38 (289.05)	19.38 (492.25)	19.38 (492.25)	27.38 (695.45)	0.25 (6.35)
EXB-18186 N34	17 (431.8)	17 (431.8)	18 (457.2)	18 (457.2)	6.12 (155.45)	23.25 (590.55)	23.25 (590.55)	10.00 (254.00)	13.38 (339.85)	13.38 (339.85)	21.38 (543.05)	21.38 (543.05)	0.25 (6.35)
EXB-18188 N34	17 (431.8)	17 (431.8)	18 (457.2)	18 (457.2)	8.12 (206.25)	23.25 (590.55)	23.25 (590.55)	12.00 (304.80)	13.38 (339.85)	13.38 (339.85)	21.38 (543.05)	21.38 (543.05)	0.25 (6.35)
EXB-18248 N34	16.38 (416.1)	22.13 (562.1)	17.37 (441.2)	23.37 (593.6)	8.00 (203.20)	22.38 (568.45)	28.38 (720.85)	11.75 (298.45)	13.00 (330.20)	19.00 (482.60)	21.00 (533.40)	27.00 (685.80)	0.25 (6.35)
EXB-182410 N34	16.38 (416.1)	22.13 (562.1)	17.23 (437.6)	23.23 (590.0)	10.00 (254.00)	22.38 (568.45)	28.38 (720.85)	13.75 (349.25)	13.00 (330.20)	19.00 (482.60)	21.25 (539.75)	27.00 (685.80)	0.25 (6.35)
EXB-18308 N34	16 (406.4)	29 (736.6)	17.87 (453.9)	30.8 (782.3)	8.00 (203.20)	22.37 (568.20)	35.37 (898.40)	12.37 (314.20)	13.25 (336.55)	26.5 (673.10)	21.00 (533.40)	34.50 (876.30)	0.25 (6.35)
EXB-18368 N34	16 (406.4)	34 (863.6)	17.37 (441.2)	35.37 (898.4)	8.00 (203.20)	22.38 (568.45)	40.38 (1025.65)	12.38 (314.45)	13.25 (336.55)	31.50 (800.10)	21.25 (539.75)	39.50 (1003.30)	0.25 (6.35)
EXB-183610 N34	16 (406.4)	34 (863.6)	17.23 (437.6)	35.23 (894.8)	10.00 (254.00)	22.38 (568.45)	40.38 (1025.65)	14.38 (365.25)	13.25 (336.55)	31.50 (800.10)	21.25 (539.75)	39.50 (1003.30)	0.25 (6.35)
EXB-203611 N34	18.75 (476.3)	34.75 (882.7)	20.14 (511.6)	36.14 (918.0)	11.13 (282.70)	26.44 (671.58)	42.44 (1077.98)	15.56 (395.22)	15.75 (400.05)	31.75 (806.45)	23.75 (603.25)	39.75 (1009.65)	0.25 (6.35)
EXB-24248 N34	22.25 (565.2)	22.25 (565.2)	23.37 (593.6)	23.37 (593.6)	8.06 (204.72)	28.38 (720.85)	28.38 (720.85)	12.19 (309.63)	19.50 (495.30)	19.50 (495.30)	27.50 (698.50)	27.50 (698.50)	0.25 (6.35)
EXB-242410 N34	22.25 (565.2)	22.25 (565.2)	23.23 (590.0)	23.23 (590.0)	10.06 (255.52)	28.38 (720.85)	28.38 (720.85)	14.19 (360.43)	19.50 (495.30)	19.50 (495.30)	27.50 (698.50)	27.50 (698.50)	0.25 (6.35)
EXB-24308 N34	23 (584.2)	29 (736.6)	24 (609.6)	30 (762.0)	8.12 (206.25)	29.25 (742.95)	35.25 (895.35)	12.40 (314.96)	19.56 (496.82)	25.56 (649.23)	27.56 (700.03)	33.56 (852.43)	0.25 (6.35)
EXB-24368 N34	23 (584.2)	35 (889.0)	24 (609.6)	36 (914.4)	8.12 (206.25)	29.25 (742.95)	41.25 (1047.75)	12.40 (314.96)	19.56 (496.82)	31.56 (801.63)	27.56 (700.03)	39.56 (1004.83)	0.25 (6.35)
EXB-243610 N34	23 (584.2)	35 (889.0)	24 (609.6)	36 (914.4)	10.12 (257.05)	29.25 (742.95)	41.25 (1047.75)	14.40 (365.76)	19.56 (496.82)	31.56 (801.63)	27.56 (700.03)	39.56 (1004.83)	0.25 (6.35)

Full dimensional details are available on .DFX or .DWG format. See Killark web site.



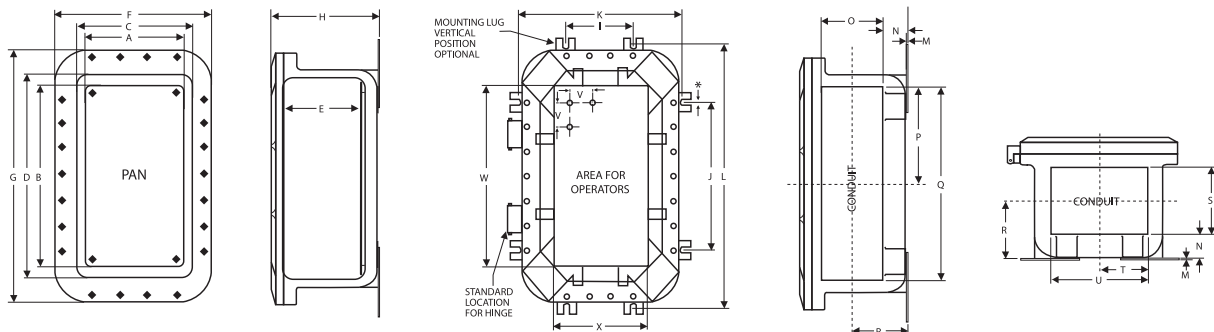
* Mounting lug opening 7/16" for boxes up to and including 8128 and 916" for boxes 10 x 10 and larger



JUNCTION BOXES

EXB CONDUIT & OPERATOR LAYOUT INFORMATION												
CATALOG NUMBER	CONDUIT AREA								OPERATOR AREA AND SPECS			
	N	O	P	Q	R	S	T	U	V	W	X	
EXB-664 N34	1.18 (30.0)	2.81 (71.4)	2.44 (62.0)	4.88 (124.0)	2.75 (69.85)	2.81 (71.37)	2.44 (61.98)	4.88 (123.95)	2.5 (63.50)	5 (127.00)	5 (127.00)	USE "LONG" STYLE G SERIES OPERATORS
EXB-684 N34	1.18 (30.0)	2.81 (71.4)	3.44 (87.4)	6.88 (174.8)	2.75 (69.85)	2.81 (71.37)	2.44 (61.98)	4.88 (123.95)	2.5 (63.50)	7 (177.80)	5 (127.00)	
EXB-6124 N34	1.18 (30.0)	2.81 (71.4)	5.00 (127.0)	10.00 (254.0)	2.75 (69.85)	2.81 (71.37)	2.44 (61.98)	4.88 (123.95)	2.5 (63.50)	11 (279.40)	5 (127.00)	
EXB-886 N34	1.18 (30.0)	4.81 (122.2)	3.44 (87.4)	6.88 (174.8)	3.75 (95.25)	4.81 (122.17)	3.44 (87.38)	6.88 (174.75)	2.5 (63.50)	7 (177.80)	7 (177.80)	
EXB-8104 N34	1.18 (30.0)	2.81 (71.4)	4.44 (112.8)	8.88 (225.6)	2.75 (69.85)	2.81 (71.37)	3.44 (87.38)	6.88 (174.75)	2.5 (63.50)	9 (228.60)	7 (177.80)	
EXB-8106 N34	1.18 (30.0)	4.18 (106.2)	4.44 (112.8)	8.88 (225.6)	3.45 (87.63)	4.81 (122.17)	3.44 (87.38)	6.88 (174.75)	2.5 (63.50)	9 (228.60)	7 (177.80)	
EXB-8126 N34	1.78 (45.2)	3.75 (95.3)	5 (127.0)	10 (254.0)	3.66 (92.96)	3.75 (95.25)	3 (76.20)	6 (152.40)	2.5 (63.50)	11 (279.40)	7 (177.80)	
EXB-8128 N34	1.78 (45.2)	5.75 (146.1)	5 (127.0)	10 (254.0)	4.66 (118.36)	5.75 (146.05)	3 (76.20)	6 (152.40)	2.5 (63.50)	11 (279.40)	7 (177.80)	
EXB-10106 N34	1.91 (48.5)	3.75 (95.3)	4 (101.6)	8 (203.2)	3.79 (96.27)	3.75 (95.25)	4 (101.60)	8 (203.20)	2.5 (63.50)	9 (228.60)	9 (228.60)	
EXB-10108 N34	1.91 (48.5)	5.75 (146.1)	4 (101.6)	8 (203.2)	4.79 (121.67)	5.75 (146.05)	4 (101.60)	8 (203.20)	2.5 (63.50)	9 (228.60)	9 (228.60)	
EXB-10146 N34	1.91 (48.5)	3.75 (95.3)	6 (152.4)	12 (304.8)	3.79 (96.27)	3.75 (95.25)	4 (101.60)	8 (203.20)	2.5 (63.50)	13 (330.20)	9 (228.60)	
EXB-10148 N34	1.91 (48.5)	5.75 (146.1)	6 (152.4)	12 (304.8)	4.79 (121.67)	5.75 (146.05)	4 (101.60)	8 (203.20)	2.5 (63.50)	13 (330.20)	9 (228.60)	
EXB-12126 N34	1.88 (47.8)	3.81 (96.8)	4.94 (125.5)	9.88 (251.0)	4.00 (101.60)	3.81 (96.77)	4.94 (125.48)	9.88 (250.95)	2.5 (63.50)	10 (254.00)	10 (254.00)	
EXB-12128 N34	1.88 (47.8)	5.81 (147.6)	4.94 (125.5)	9.88 (251.0)	5.00 (127.00)	5.81 (147.57)	4.94 (125.48)	9.88 (250.95)	2.5 (63.50)	10 (254.00)	10 (254.00)	
EXB-12186 N34	2.06 (52.3)	3.13 (79.5)	7.94 (201.7)	15.88 (403.4)	3.88 (98.55)	3.75 (95.25)	4.94 (125.48)	9.88 (250.95)	2.5 (63.50)	16 (406.40)	10 (254.00)	
EXB-12188 N34	2.06 (52.3)	5.13 (130.3)	7.94 (201.7)	15.88 (403.4)	4.88 (123.95)	5.75 (146.05)	4.94 (125.48)	9.88 (250.95)	2.5 (63.50)	16 (406.40)	10 (254.00)	
EXB-12246 N34	2.13 (54.1)	3.13 (79.5)	10.94 (277.9)	21.88 (555.8)	3.94 (100.08)	3.81 (96.77)	4.94 (125.48)	9.88 (250.95)	2.5 (63.50)	22.25 (565.15)	10.25 (260.35)	
EXB-12248 N34	2.13 (54.1)	5.13 (130.3)	10.94 (277.9)	21.88 (555.8)	4.94 (125.48)	5.81 (147.57)	4.94 (125.48)	9.88 (250.95)	2.5 (63.50)	22.25 (565.15)	10.25 (260.35)	
EXB-122412 N34	2.13 (54.1)	9.13 (231.9)	10.94 (277.9)	21.88 (555.8)	6.94 (176.28)	9.81 (249.17)	4.94 (125.48)	9.88 (250.95)	2.5 (63.50)	22.25 (565.15)	10.25 (260.35)	
EXB-12368 N34	2.09 (53.1)	5.75 (146.1)	17 (431.8)	34 (863.6)	4.97 (126.24)	5.75 (146.05)	5 (127.00)	10 (254.00)	2.5 (63.50)	35 (889.00)	11 (279.40)	
EXB-123610 N34	2.09 (53.1)	7.75 (196.9)	17 (431.8)	34 (863.6)	5.97 (151.64)	7.75 (196.85)	5 (127.00)	10 (254.00)	2.5 (63.50)	35 (889.00)	11 (279.40)	
EXB-14146 N34	2.09 (53.1)	3.75 (95.3)	6 (152.4)	12 (304.8)	3.97 (100.84)	3.75 (95.25)	6 (152.40)	12 (304.80)	2.5 (63.50)	13 (330.20)	13 (330.20)	
EXB-14148 N34	2.09 (53.1)	5.75 (146.1)	6 (152.4)	12 (304.8)	4.97 (126.24)	5.75 (146.05)	6 (152.40)	12 (304.80)	2.5 (63.50)	13 (330.20)	13 (330.20)	
EXB-16166 N34	2.06 (53.1)	3.75 (95.3)	6.94 (176.3)	13.88 (352.6)	4.18 (106.17)	3.75 (95.25)	6.94 (176.28)	13.88 (352.55)	2.5 (63.50)	14 (355.60)	14 (355.60)	
EXB-16168 N34	2.06 (53.1)	5.75 (146.1)	6.94 (176.3)	13.88 (352.6)	5.18 (131.57)	5.75 (146.05)	6.94 (176.28)	13.88 (352.55)	2.5 (63.50)	14 (355.60)	14 (355.60)	
EXB-16248 N34	2.34 (59.4)	5.75 (146.1)	11 (279.4)	22 (558.8)	5.22 (132.59)	5.75 (146.05)	7 (177.80)	14 (355.60)	2.5 (63.50)	22 (558.80)	14 (355.60)	
EXB-162410 N34	2.34 (59.4)	7.75 (196.9)	11 (279.4)	22 (558.8)	6.22 (157.99)	7.75 (196.85)	7 (177.80)	14 (355.60)	2.5 (63.50)	22 (558.80)	14 (355.60)	
EXB-18186 N34	2.34 (59.4)	3.75 (95.3)	8 (203.2)	16 (406.4)	4.22 (107.19)	3.75 (95.25)	8 (203.20)	16 (406.40)	2.5 (63.50)	16 (406.40)	16 (406.40)	
EXB-18188 N34	2.34 (59.4)	5.75 (146.1)	8 (203.2)	16 (406.4)	5.22 (132.59)	5.75 (146.05)	8 (203.20)	16 (406.40)	2.5 (63.50)	16 (406.40)	16 (406.40)	
EXB-18248 N34	2.32 (58.9)	4.88 (124.0)	10.94 (277.9)	21.88 (555.8)	5.00 (127.00)	5.56 (141.22)	7.94 (201.68)	15.88 (403.35)	2.5 (63.50)	22 (558.80)	16 (406.40)	
EXB-182410 N34	2.32 (58.9)	6.88 (174.8)	10.94 (277.9)	21.88 (555.8)	6.00 (152.40)	8.56 (217.42)	7.94 (201.68)	15.88 (403.35)	2.5 (63.50)	22 (558.80)	16 (406.40)	
EXB-18308 N34	2.50 (63.5)	4.88 (124.0)	14.44 (366.8)	28.88 (733.6)	5.18 (131.57)	6.06 (153.92)	7.94 (201.68)	15.88 (403.35)	2.5 (63.50)	29 (736.60)	16 (406.40)	
EXB-18368 N34	2.50 (63.5)	4.88 (124.0)	16.94 (430.3)	33.88 (860.6)	5.18 (131.57)	6.06 (153.92)	7.94 (201.68)	15.88 (403.35)	2.5 (63.50)	34 (863.60)	16 (406.40)	
EXB-183610 N34	2.50 (63.5)	6.88 (174.8)	16.94 (430.3)	33.88 (860.6)	6.18 (156.97)	8.06 (204.72)	7.94 (201.68)	15.88 (403.35)	2.5 (63.50)	34 (863.60)	16 (406.40)	
EXB-203611 N34	2.47 (62.7)	8.44 (214.4)	16.72 (424.7)	33.97 (862.8)	6.88 (174.75)	8.47 (215.14)	8.72 (221.49)	17.47 (443.74)	2.5 (63.50)	34.88 (885.95)	18.88 (479.55)	
EXB-24248 N34	2.88 (73.2)	5.50 (139.7)	10.88 (276.4)	21.88 (555.8)	5.88 (149.35)	5.50 (139.70)	10.94 (277.88)	21.88 (555.75)	2.5 (63.50)	22 (558.80)	22 (558.80)	
EXB-242410 N34	2.88 (73.2)	7.50 (190.5)	10.88 (276.4)	21.88 (555.8)	6.88 (174.75)	7.50 (190.50)	10.94 (277.88)	21.88 (555.75)	2.5 (63.50)	22 (558.80)	22 (558.80)	
EXB-24308 N34	2.47 (62.7)	5.75 (146.1)	14 (355.6)	28 (711.2)	5.35 (135.89)	5.75 (146.05)	11 (279.40)	22 (558.80)	3.0 (76.20)	28 (711.20)	22 (558.80)	
EXB-24368 N34	2.47 (62.7)	5.75 (146.1)	17 (431.8)	34 (863.6)	5.35 (135.89)	5.75 (146.05)	11 (279.40)	22 (558.80)	3.0 (76.20)	34 (863.60)	22 (558.80)	
EXB-243610 N34	2.47 (62.7)	7.75 (196.9)	17 (431.8)	34 (863.6)	6.35 (161.29)	7.75 (196.85)	11 (279.40)	22 (558.80)	3.0 (76.20)	34 (863.60)	22 (558.80)	

Full dimensional details are available on .DFX or .DWG format. See KILLARK web-site.



* Mounting lug opening 7/16" for boxes up to and including 8128 and 9/16" for boxes 10 x 10 and larger



ENCLOSURES



JUNCTION BOXES

- UL** #UL1203 - Explosion proof and dust-ignition-proof electrical equipment for use in hazardous (classified) locations. File #E83969
- SP** #C22.2 No. 30-M1986-Explosion-proof Enclosure for use in Class I Hazardous Locations. FILE #LR11716

- Class I, Div. 1 & 2,**
- Groups B, C, D^①**
- Class I, Zone 1 & 2**
- Groups IIB + H2, IIA**
- Class II, Div. 1 & 2,**
- Groups E, F, G**
- Class III, Div. 1 & 2**
- Enclosure Type 3, 4, 4X**
- NEMA 3, 4, 4x, 7 (B, C, D), 9 (E, F, G)**

FEATURES-SPECIFICATIONS



Applications

- Locations made hazardous due to the presence of flammable gases or vapors, combustible dust, or easily ignitable fibers and flyings, and areas which are subject to corrosion, weather and dampness
- Petroleum Refineries, Chemical and Petrochemical plants with indoor and outdoor process
- Applications requiring junction, pull and/or splice boxes
- Enclosures to house control stations, relays, starters, circuit breakers, terminal blocks and other equipment or devices

(Glass viewing windows cannot be added to the Prism Series Enclosures. Use Killark Quantum Enclosures when viewing windows are required.)

Features

- Copper-free cast aluminum construction. High strength, lighter in weight, corrosion resistant
- Quick Release, Captivated Cover Bolts of 316 Grade Stainless Steel. Triple-lead bolts require only 3-1/2 turns to disengage. Stainless steel (316 grade) for maximum protection from corrosion
- Gasketed Flange. Nitrile (BUNA-N) "O" ring gasket is located inside bolt circle to prevent water seeping into enclosure
- Ductile Mounting Lugs. Lugs are made of ductile aluminum alloy to adjust to irregular mounting surfaces without damage to enclosure
- Hinged Cover is Standard

- Recessed Flange Notches. Flanges are notched to allow for easier cover opening with prying instrument without flange damage
- Conduit Openings. Conduit openings can be supplied at factory, or can be field installed.

Material/Finish

- Enclosure: Cast Copper-free Aluminum (less than 4/10 of 1%)
- Hinges: Aluminum with stainless steel hardware
- Cover Bolts: 316 Grade Stainless Steel
- Aluminum Lacquer Paint Finish Standard on all B7E except B7EP and B7EQ which are powder epoxy as standard

B7E JUNCTION BOXES AND ENCLOSURES												
CATALOG NUMBER	DIMENSIONS								DRAWING FIGURE	MAXIMUM CONDUIT SIZE		MAXIMUM NUMBER OF OPERATORS ^②
	NOMINAL INSIDE			OUTSIDE			MOUNTING			TOP & BOTTOM	SIDES	
	WIDTH (A)	LENGTH (B)	DEPTH (C)	WIDTH (D)	LENGTH (E)	DEPTH (F)	WIDTH (G)	LENGTH (H)				
B7EA	6-1/2"	13-1/2"	6-11/16"	11"	18"	9-1/8"	3-5/8"	16-3/8"	1	1-1/2"	1"	4 rows of 2 = 8
B7EB	10"	18-1/2"	6-5/8"	14-1/2"	23"	9-1/8"	7"	21-3/8"	1	1-1/2"	1"	7 rows of 3 = 21
B7EC	8"	15-1/2"	6-11/16"	12-1/2"	20"	9-1/8"	5"	18-3/8"	1	1-1/2"	1"	5 rows of 2 = 10
B7ED	10"	21"	6-11/16"	14-1/2"	25-1/2"	9-1/8"	7"	23-7/8"	1	1-1/2"	1"	8 rows of 3 = 24
B7EE	8"	21-3/4"	8-5/16"	12-1/2"	26-1/4"	10-3/4"	5"	24-5/8"	1	2"	2"	8 rows of 2 = 16
B7EF	13"	22-3/4"	8-3/8"	17-7/8"	27-1/4"	11"	10-3/8"	25-5/8"	1	4"	4"	8 rows of 4 = 32
B7EG	12"	29-3/4"	8-7/8"	16-1/2"	34-1/4"	11-1/2"	9"	32-5/8"	1	5"	4"	8 rows of 3 = 24
B7EH	17"	29-3/4"	8-11/16"	21-1/2"	34-1/4"	11-7/8"	14"	32-5/8"	1	5"	4"	9 rows of 5 = 45
B7EJ	15-1/2"	57-1/2"	9-5/16"	20-1/4"	62-1/4"	15"	18-1/2"	43-1/2"	2	5"	5"	18 rows of 4 = 72
B7EK	13"	20"	6-5/8"	17-1/2"	24-3/4"	9-1/2"	15-1/4"	13"	2	3"	1-1/2"	6 rows of 4 = 24
B7EL	13"	29"	6-5/8"	17-1/2"	33-3/8"	9-1/2"	15-1/4"	21"	2	3"	1-1/2"	9 rows of 4 = 36
B7EM	13"	41"	6-5/8"	17-1/2"	45-3/8"	9-1/2"	15-1/4"	33"	2	3"	1-1/2"	14 rows of 4 = 56
B7EN	13"	50"	6-5/8"	17-1/2"	54-3/8"	9-1/2"	15-1/4"	42"	2	3"	1-1/2"	17 rows of 4 = 68
B7EP ^③	3-5/8"	5-13/16"	5-1/16"	5-3/4"	8-1/16"	6-5/16"	3-1/8"	8-1/8"	1	1"	1"	1 row of 2 = 2
B7EQ ^③	4-1/4"	9-3/16"	6-5/16"	8-1/8"	13-1/16"	7-13/16"	6-3/8"	7-1/2"	2	1-1/2"	1-1/2"	1 row of 4 = 4

① All Conduits must be sealed within 18" when used in Group B Locations.

② Operator spacing is 2-1/2" \perp to \perp except on B7EG & B7EH spacing is 3" \perp to \perp . Internal Mounting Pan Thickness is 1/8" except on B7EJ it is 3/16" thick. B7EJ Enclosure Cover has an Internal Rib Structure. Consult Killark for drawing details before layout of cover devices. Maximum number of "G" series control operators permitted in cover, down + across = total.

③ B7 COMPACT Series - Details on page E39.



JUNCTION BOXES



FEATURES-SPECIFICATIONS

B7E JUNCTION BOXES AND ENCLOSURES			
CATALOG NUMBER	PAN ^①		
	CATALOG NUMBER	WIDTH (J)	LENGTH (K)
B7EA	19919	5"	11-3/4"
B7EB	19920	8-1/4"	16-3/4"
B7EC	18245	6-1/4"	13-3/4"
B7ED	19921	8-3/8"	19-3/8"
B7EE	19923	6-3/8"	20-3/8"
B7EF	18472	11-5/8"	21-1/4"
B7EG	19924	10"	28"
B7EH	19925	15-3/8"	28-3/8"
B7EJ	18279	13-1/2"	54"
B7EK	19926	11"	18"
B7EL	19927	11"	27"
B7EM	19928	11"	39"
B7EN	19929	11"	47"
B7EP ^②	—	N/A	N/A
B7EQ ^②	—	N/A	N/A

MODIFICATIONS	
SUFFIX NUMBER	DESCRIPTION
KIT-251	100 amp ground lug
KIT-252	225 amp ground lug
SU3B4X	Drain & breather installed (GRPs B, C & D TYPE 4X)
SU94	"Drill, tap & plug for future" drain & breather
SU9	Special paint finish
SU14	Fungus proofing of enclosure
SU93	Do not paint enclosure

① Internal Mounting Pan Thickness is 1/8" except on B7EJ it is 3/16" thick.
 ② B7 COMPACT Series - Details on page E39.

Dimensions
(See page E37)

Figure 1

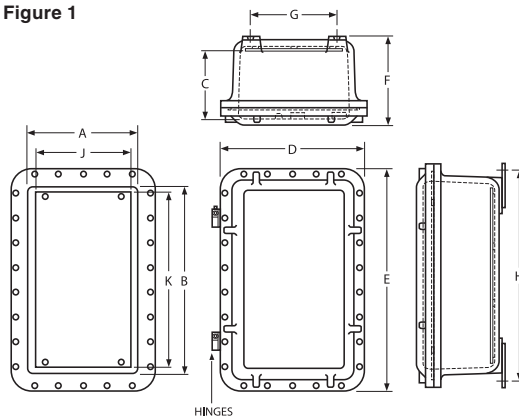
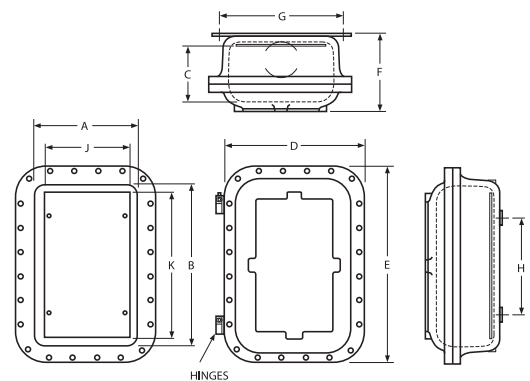


Figure 2

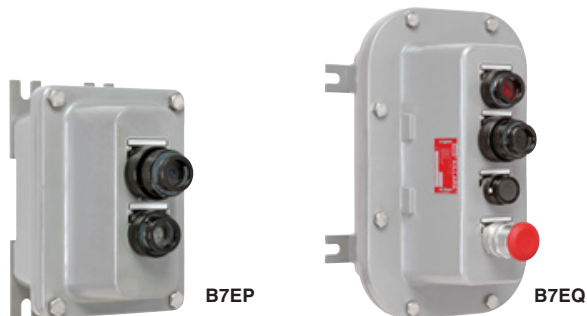


ENCLOSURES



B7EP, B7EQ SERIES

JUNCTION BOXES



Class I, Div. 1 & 2, Groups B, C, D
 Class I, Zones 1 & 2, Groups IIB + H2, IIA
 Class II, Div. 1 & 2, Groups E, F, G^①
 Class III
 NEMA 3, 4, 4X, 7 (B, C, D) 9 (E, F, G)

Certified - File LR11716

FEATURES-SPECIFICATIONS



Applications

The PRISM® B7 Series of enclosures are used in:

- Locations made hazardous due to the presence of flammable gasses or vapors combustible dust, fibers and flyings, and areas which are subject to corrosion, weather and dampness
- Petroleum Refineries, Chemical and Petrochemical plants with indoor and outdoor processes

Provided as blank enclosures or with factory modifications such as openings for “G Series” operators, conduit entries (NPT and metric), drains and breathers and terminal blocks.

Features

- Compact size enclosures for application flexibility
- NEMA 4, 4X rated - providing protection from hose directed water & corrosion
- Fewer cover bolts reduce installation and maintenance time
- Removable ductile mounting lugs adjust to irregular mounting surfaces
- See pages C40 - C49 for “G Series” control operators and accessories
- Use ‘long style’ operators

Standard Materials /Finish

- Enclosures: Copper-free aluminum (less than 4/10 of 1% copper content)
- Cover Bolts: 316 Stainless Steel
- O-ring Gasket: Silicone
- Finish: Grey Powder Polyester painted exterior, electrostatically applied.

MODIFICATIONS	
SUFFIX NUMBER	DESCRIPTION
KIT-251	100 amp ground lug
SU-2	Hinge-9 Installed
SU3B4X	Drain & Breather installed (NEMA 7BCD TYPE 4X)
SU9	Special paint finish
SU14	Fungus proofing of enclosure

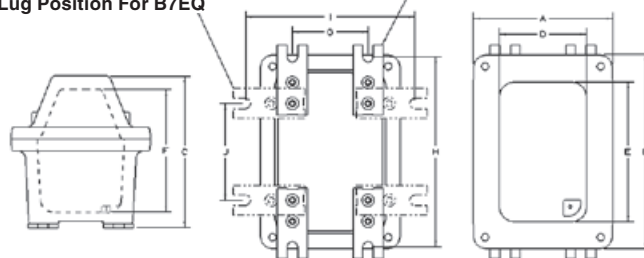
CATALOG NUMBER ENCLOSURE ONLY	MAX. # OPERATORS	CENTER TO CENTER SPACING	MAX. CONDUIT SIZE
B7EP	2	2.5 (63.5)	1"
B7EQ	4	2 (51)	1-1/2"

DIMENSIONS

CATALOG NUMBER	OUTSIDE BOX DIMENSIONS			NOMINAL INSIDE BOX			MOUNTING DIMENSIONS			
	A	B	C	D	E	F	G	H	I	J
B7EP	5.75 (146.1)	8.06 (204.7)	6.31 (160.3)	3.63 (92.2)	5.81 (147.6)	5.06 (128.5)	3.13 (79.5)	8.13 (206.5)	*	*
B7EQ	8.13 (206.5)	13.06 (331.7)	7.81 (198.4)	4.25 (108.0)	9.18 (233.2)	6.93 (176.0)	2.5 (63.5)	11.38 (289.1)	6.38 (162.1)	7.5 (190.5)

Standard Lug Position For B7EQ

Fixed Lug Position For B7EP
Optional Position For B7EQ





EXB Series Mounting Pans Ordering Instructions

Select proper mounting pan based on inside (length & width) of box. Order and price as separate item from junction box catalog number.

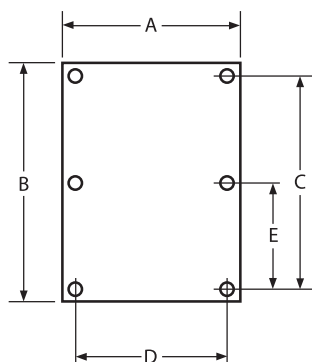
EXAMPLE: EXB-12186N34 } assemble
15155 }

EXB Series boxes have cast bosses which are drilled and tapped for direct mounting when pans are ordered.

Mounting pans are 1/8" or 3-16" thick sheet aluminum and are sized to provide the maximum usable surface area when installed.

All EXB series boxes have internal bosses that are factory machined to accept mounting pans.

Dimensions



DB Series Mounting Pans Ordering Instructions

Select proper mounting pan based on outside (length & width) of box. Order and price as separate item from the junction box catalog number.

EXAMPLE: DB-10106 } assemble
6248-10 }

DB Series boxes are provided with 1/2" raised mounting studs threaded into the back when pans are ordered. If a mounting pan is not ordered, mounting studs can still be provided by adding SU8 to box catalog number. See price list for SU8 pricing information.

BLANK MOUNTING PANS

EXB MOUNTING PAN								
CATALOG NUMBER	NOMINAL INSIDE BOX SIZE		MOUNTING PAN DIMENSION		MOUNTING HOLE SPACINGS			PAN THICKNESS
	WIDTH	LENGTH	A WIDTH	B LENGTH	C	D	E	
7997-5	6"	6"	5"	5"	3"	3"	—	.125
7997-1	6"	8"	5"	7"	5"	3"	—	.125
7997-6	6"	12"	5"	11"	9"	3"	—	.125
7996-1	8"	8"	7"	7"	5"	5"	—	.125
7996-2	8"	10"	7"	9"	7"	5"	—	.125
17619	8"	12"	7"	11"	9"	5"	—	.125
17617	10"	14"	9"	13"	11"	7"	—	.125
17618	10"	10"	9"	9"	7"	7"	—	.125
7988-1	12"	12"	10-1/2"	10-1/2"	9"	9"	—	.125
15515	12"	18"	10"	16"	15"	9"	7-1/2"	.125
7988-4	12"	24"	10-1/4"	22-1/4"	21"	9"	—	.125
17620	12"	36"	11"	35"	33"	9"	17-1/2"	.125
17621	14"	14"	13"	13"	11"	11"	—	.125
7995-1	16"	16"	14"	14"	13"	13"	—	.125
7995-2	16"	24"	14-1/2"	23"	21"	13"	—	.125
17622	16"	24"	15"	23"	21"	13"	—	.125
17623	18"	18"	17"	17"	15"	15"	—	.190
15516	18"	24"	16-3/8"	22-1/8"	21"	15"	10-1/2"	.125
15517	18"	36"	34"	16"	33"	15"	16-1/2"	.125
17596	20"	36"	18-3/4"	34-3/4"	32-3/4"	16-3/4"	16-3/8"	.190
8000-1	24"	24"	22-1/4"	22-1/4"	21"	21"	—	.125
17624	24"	36"	23"	35"	33"	21"	16-1/2"	.190
20576	24"	30"	23"	29"	27"	21"	13-1/2"	.190
22061	18"	30"	16"	29"	28"	15"	14"	.125

DB MOUNTING PAN								
6307-6	6"	6"	4"	4"	3"	3"	—	.125
6307-12	6"	12"	4"	10"	8-1/2"	3"	—	.125
6247-8	8"	8"	5"	5"	3-1/4"	3-1/4"	—	.125
6247-10	8"	10"	5"	7"	5-1/4"	3-1/4"	—	.125
6247-14	8"	14"	5"	11"	9-1/4"	3-1/4"	—	.125
6247-18	8"	18"	5"	15"	13-1/4"	3-1/4"	—	.125
6248-10	10"	10"	7"	7"	5-1/4"	5-1/4"	—	.125
6248-14	10"	14"	7"	11"	9-1/4"	5-1/4"	—	.125
6249-14	12"	14"	9"	11"	9-1/4"	7-1/4"	—	.125
6249-16	12"	16"	9"	13"	11-1/4"	7-1/4"	—	.125
6249-18	12"	18"	9"	15"	13-1/4"	7-1/4"	—	.125
6249-24	12"	24"	9"	21"	19-1/4"	7-1/4"	—	.125
6250-18	16"	18"	13"	15"	13-1/4"	11-1/4"	—	.125
6250-24	16"	24"	13"	21"	19-1/4"	11-1/4"	—	.125
6250-36	16"	36"	13"	33"	31-1/4"	11-1/4"	15-5/8"	.125
6251-24	20"	24"	17"	21"	19-1/4"	15-1/4"	—	.125
6251-30	20"	30"	17"	27"	25-1/4"	15-1/4"	—	.125
6252-30	24"	30"	18-3/4"	24-3/4"	23"	17"	—	.125
6252-36	24"	36"	18-3/4"	30-3/4"	29"	17"	14-1/2"	.190



ENCLOSURES

HINGES AND GLASS LENS COVERS



HINGE-10L and HINGE-10R
HINGE-11L and HINGE-11R
HINGE-12L and HINGE-12R
Extruded Aluminum



HINGE 4 Stainless Steel

Round and Rectangular Lens Covers Must Be Factory Installed



GL/GLX Series Lens Cover



FEATURES-SPECIFICATIONS HINGES

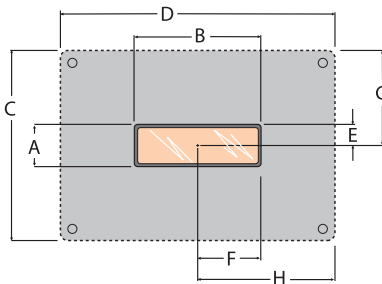
Applications

Hinges are installed on flanged enclosures to allow for easier and safer installation and when performing maintenance on internal components.

HINGES		
CATALOG NUMBER	SERIES USED	MATERIAL
HINGE-4	DB	Stainless steel
HINGE-12L	Small EXB	Extruded aluminum
HINGE-12R		
HINGE-10L	Larger sizes EXB	Extruded aluminum
HINGE-10R		
HINGE-11L	Mid Sizes EXB, DB	Extruded aluminum
HINGE-11R		

Note: Hinge is a single hinge and two required per enclosure.

- Hinge 10L-10R-11L-11R-12L-12R include two hinges
- Hinge 10L, 11L & 12L are for mounting on left side of enclosure
- Hinge 10R, 11R & 12R are for mounting on right side of enclosure
- All hinges supplied with stainless steel mounting screws and pins



GL/GLX ROUND GLASS LENS COVERS

Applications

Use GL Series lens on:

- All EXB Boxes

Use GLX Series lens on:

- All DB Boxes

Refer to recommended minimum spacing table. Series GL and GLX have identical viewing lens diameter and outside diameter. The difference is in the thread pitch.

GLXR RECTANGULAR GLASS LENS COVERS

Applications

Rectangular glass lens windows can be factory installed to enable viewing of digital read out meters and devices such as:

- Volt meters
- Flow meters
- Gas analyzers
- Process receivers, transmitters and controllers

Ordering Information

Rectangular lens option must be factory installed and ordered in conjunction with appropriate EXB Series enclosure. See page E42. Submit drawing or sketch to specify lens location. Consult factory for multi-lens arrangements.

GLXR RECTANGULAR LENS COVER ASSEMBLIES								
CATALOG NUMBER	VIEWING AREA ①		MINIMUM SPACE		OTHER DIMENSIONS			
	A	B	C	D	E	F	G	H
GLXR13	1 (25.4)	3 (76.2)	4.5 (114.3)	6.5 (165.1)	0.5 (12.7)	1.5 (38.1)	2.25 (57.2)	3.25 (82.6)
GLXR24	2 (50.8)	4 (101.6)	5.5 (139.7)	7.5 (190.5)	1 (25.4)	2 (50.8)	2.72 (69.1)	3.75 (95.3)
GLXR27	2 (50.8)	7 (177.8)	5.5 (139.7)	10.5 (266.7)	1 (25.4)	3.5 (88.9)	2.75 (69.9)	5.25 (133.4)
GLXR34	3.5 (88.9)	4 (101.6)	7 (177.8)	7.5 (190.5)	1.75 (44.5)	2 (50.8)	3.5 (88.9)	3.75 (95.3)
GLXR36	3 (76.2)	6 (152.4)	6.5 (165.1)	9.5 (241.3)	1.5 (38.1)	3 (76.2)	3.25 (82.6)	4.75 (120.7)
GLXR47	4 (101.6)	7 (177.8)	7.5 (190.5)	10.5 (266.7)	2 (50.8)	3.5 (88.9)	3.75 (95.3)	5.25 (133.4)
GLXR59	5 (127.0)	9 (228.6)	8.5 (215.9)	12.5 (317.5)	2.5 (63.5)	4.5 (114.3)	4.25 (108.0)	6.25 (158.8)
GLXR99	9 (228.6)	9 (228.6)	12.5 (317.5)	12.5 (317.5)	4.5 (114.3)	4.5 (114.3)	6.25 (158.8)	6.25 (158.8)

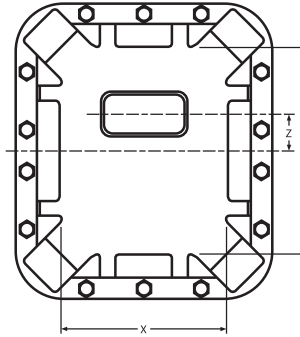
① Other sizes available. Contact the factory for additional information.

GL/GLX RECOMMENDED MINIMUM SPACING — CENTERLINE TO CENTERLINE							VIEWING DIAMETER	OUTSIDE DIAMETER
GLASS LENS TYPE	GL/GLX-275	GL/GLX-300	GL/GLX-375	GL/GLX-537	GL/GLX-600	GL/GLX-775		
GL/GLX-275	7 (177.8)	7.5 (190.5)	7.75 (196.9)	8.75 (222.3)	9 (228.6)	10 (254.0)	2.75 (69.9)	4.63 (117.6)
GL/GLX-300	7.5 (190.5)	8 (203.2)	8.25 (209.6)	9.25 (235.0)	9.5 (241.3)	10.5 (266.7)	2.93 (74.4)	5.25 (133.4)
GL/GLX-375	7.75 (196.9)	8.25 (209.6)	8.5 (215.9)	9.5 (241.3)	9.75 (247.7)	10.75 (273.1)	3.75 (95.3)	6.25 (158.8)
GL/GLX-537	8.75 (222.3)	9.25 (235.0)	9.5 (241.3)	10.5 (266.7)	10.75 (273.1)	11.75 (298.5)	5.38 (136.7)	7.88 (200.2)
GL/GLX-600	9 (228.6)	9.5 (241.3)	9.75 (247.7)	10.75 (273.1)	11 (279.4)	12 (304.8)	6 (152.4)	8.88 (225.6)
GL/GLX-775	10 (254.0)	10.5 (266.7)	10.75 (273.1)	11.75 (298.5)	12 (304.8)	13 (330.2)	7.75 (196.9)	10.25 (260.4)

Note: For spacing less than minimum in table, (shown in inches) consult factory.



GLASS LENS COVER



FEATURES-SPECIFICATIONS

GLXR LAYOUT GUIDE

CATALOG NUMBER	USEABLE COVER AREA		Z = MAXIMUM CENTER LINE OF COVER TO CENTERLINE OF GLASS LENS							
	X	Y	GLXR13	GLXR24	GLXR27	GLXR34	GLXR36	GLXR47	GLXR59	GLXR99
EXB-664 N34	5 (127.0)	5 (127.0)	N	N	N	N	N	N	N	N
EXB-684 N34	5 (127.0)	7 (177.8)	1.25 (31.8)	N	N	N	N	N	N	N
EXB-6124 N34	5 (127.0)	11 (279.4)	3.25 (82.6)	R	N	N	N	N	N	N
EXB-886 N34	7 (177.8)	7 (177.8)	1.25 (31.8)	0.75 (19.1)	N	N	N	N	N	N
EXB-8104 N34	7 (177.8)	9 (228.6)	2.25 (57.2)	1.75 (44.5)	N	1 (25.4)	N	N	N	N
EXB-8106 N34	7 (177.8)	9 (228.6)	2.25 (57.2)	1.75 (44.5)	N	1 (25.4)	N	N	N	N
EXB-8126 N34	7 (177.8)	11 (279.4)	3.25 (82.6)	2.75 (69.9)	R*	2 (50.8)	R*	N	N	N
EXB-8128 N34	7 (177.8)	11 (279.4)	3.25 (82.6)	2.75 (69.9)	R*	2 (50.8)	R*	N	N	N
EXB-10106 N34	9 (228.6)	9 (228.6)	2.25 (57.2)	1.75 (44.5)	N	1 (25.4)	N	N	N	N
EXB-10108 N34	9 (228.6)	9 (228.6)	2.25 (57.2)	1.75 (44.5)	N	1 (25.4)	N	N	N	N
EXB-10146 N34	9 (228.6)	13 (330.2)	4.25 (108.0)	3.75 (95.3)	R	3 (76.2)	R	R	R	N
EXB-10148 N34	9 (228.6)	13 (330.2)	4.25 (108.0)	3.75 (95.3)	R	3 (76.2)	R	R	R	N
EXB-12126 N34	10 (254.0)	10 (254.0)	2.75 (69.9)	2.25 (57.2)	2.25 (57.2)	1.5 (38.1)	1.75 (44.5)	1.25 (31.8)	N	N
EXB-12128 N34	10 (254.0)	10 (254.0)	2.75 (69.9)	2.25 (57.2)	2.25 (57.2)	1.5 (38.1)	1.75 (44.5)	1.25 (31.8)	N	N
EXB-12186 N34	10 (254.0)	16 (406.4)	5.75 (146.1)	5.25 (133.4)	5.25 (133.4)	4.5 (114.3)	4.75 (120.7)	4.25 (108.0)	R*	N
EXB-12188 N34	10 (254.0)	16 (406.4)	5.75 (146.1)	5.25 (133.4)	5.25 (133.4)	4.5 (114.3)	4.75 (120.7)	4.25 (108.0)	R*	N
EXB-12246 N34	10.25 (260.4)	22.25 (565.2)	8.88 (225.6)	8.38 (212.9)	8.38 (212.9)	7.63 (193.8)	7.88 (200.2)	7.38 (187.5)	R	N
EXB-12248 N34	10.25 (260.4)	22.25 (565.2)	8.88 (225.6)	8.38 (212.9)	8.38 (212.9)	7.63 (193.8)	7.88 (200.2)	7.38 (187.5)	R	N
EXB-122412 N34	10.25 (260.4)	22.25 (565.2)	8.88 (225.6)	8.38 (212.9)	8.38 (212.9)	7.63 (193.8)	7.88 (200.2)	7.38 (187.5)	R	N
EXB-12368 N34	11 (279.4)	35 (889.0)	15.25 (387.4)	14.75 (374.7)	14.75 (374.7)	14 (355.6)	14.25 (362.0)	13.75 (349.3)	R*	N
EXB-123610 N34	11 (279.4)	35 (889.0)	15.25 (387.4)	14.75 (374.7)	14.75 (374.7)	14 (355.6)	14.25 (362.0)	13.75 (349.3)	R*	N
EXB-14146 N34	13 (330.2)	13 (330.2)	4.25 (108.0)	3.75 (95.3)	3.75 (95.3)	3 (76.2)	3.25 (82.6)	2.75 (69.9)	2.25 (57.2)	*
EXB-14148 N34	13 (330.2)	13 (330.2)	4.25 (108.0)	3.75 (95.3)	3.75 (95.3)	3 (76.2)	3.25 (82.6)	2.75 (69.9)	2.25 (57.2)	*
EXB-16166 N34	14 (355.6)	14 (355.6)	4.75 (120.7)	4.25 (108.0)	4.25 (108.0)	3.5 (88.9)	3.75 (95.3)	3.25 (82.6)	2.75 (69.9)	0.75 (19.1)
EXB-16168 N34	14 (355.6)	14 (355.6)	4.75 (120.7)	4.25 (108.0)	4.25 (108.0)	3.5 (88.9)	3.75 (95.3)	3.25 (82.6)	2.75 (69.9)	0.75 (19.1)
EXB-16248 N34	14 (355.6)	22 (558.8)	8.75 (222.3)	8.25 (209.6)	8.25 (209.6)	7.5 (190.5)	7.75 (196.9)	7.25 (184.2)	6.75 (171.5)	4.75 (120.7)
EXB-162410 N34	14 (355.6)	22 (558.8)	8.75 (222.3)	8.25 (209.6)	8.25 (209.6)	7.5 (190.5)	7.75 (196.9)	7.25 (184.2)	6.75 (171.5)	4.75 (120.7)
EXB-18186 N34	16 (406.4)	16 (406.4)	5.75 (146.1)	5.25 (133.4)	5.25 (133.4)	4.5 (114.3)	4.75 (120.7)	4.25 (108.0)	3.75 (95.3)	1.75 (44.5)
EXB-18188 N34	16 (406.4)	16 (406.4)	5.75 (146.1)	5.25 (133.4)	5.25 (133.4)	4.5 (114.3)	4.75 (120.7)	4.25 (108.0)	3.75 (95.3)	1.75 (44.5)
EXB-18248 N34	16 (406.4)	22 (558.8)	8.75 (222.3)	8.25 (209.6)	8.25 (209.6)	7.5 (190.5)	7.75 (196.9)	7.25 (184.2)	6.75 (171.5)	4.75 (120.7)
EXB-182410 N34	16 (406.4)	22 (558.8)	8.75 (222.3)	8.25 (209.6)	8.25 (209.6)	7.5 (190.5)	7.75 (196.9)	7.25 (184.2)	6.75 (171.5)	4.75 (120.7)
EXB-18308 N34	16 (406.4)	29 (736.6)	12.25 (311.2)	11.75 (298.5)	11.75 (298.5)	10 (254.0)	11.25 (285.8)	9.75 (247.7)	9.25 (235.0)	8.25 (209.6)
EXB-18368 N34	16 (406.4)	34 (863.6)	14.75 (374.7)	14.25 (362.0)	14.25 (362.0)	12.25 (311.2)	13.75 (349.3)	12.25 (311.2)	11.75 (298.5)	10.75 (273.1)
EXB-183610 N34	16 (406.4)	34 (863.6)	14.75 (374.7)	14.25 (362.0)	14.25 (362.0)	12.25 (311.2)	13.75 (349.3)	12.25 (311.2)	11.75 (298.5)	10.75 (273.1)
EXB-203611 N34	18.88 (479.6)	34.88 (886.0)	15.18 (385.6)	14.68 (372.9)	14.68 (372.9)	13.93 (353.8)	14.18 (360.2)	13.68 (347.5)	13.18 (334.8)	11.18 (284.0)
EXB-24248 N34	22 (558.8)	22 (558.8)	8.75 (222.3)	8.25 (209.6)	8.25 (209.6)	7.5 (190.5)	7.25 (184.2)	7.25 (184.2)	6.75 (171.5)	4.75 (120.7)
EXB-242410 N34	22 (558.8)	22 (558.8)	8.75 (222.3)	8.25 (209.6)	8.25 (209.6)	7.5 (190.5)	7.25 (184.2)	7.25 (184.2)	6.75 (171.5)	4.75 (120.7)
EXB-24308 N34	22 (558.8)	28 (711.2)	11.75 (298.5)	11.25 (285.8)	11.25 (285.8)	9.5 (241.3)	10.75 (273.1)	9.25 (235.0)	9.75 (247.7)	7.75 (196.9)
EXB-24368 N34	22 (558.8)	34 (863.6)	14.75 (374.7)	14.25 (362.0)	14.25 (362.0)	12.5 (317.5)	13.75 (349.3)	13.25 (336.6)	12.75 (323.9)	10.75 (273.1)
EXB-243610 N34	22 (558.8)	34 (863.6)	14.75 (374.7)	14.25 (362.0)	14.25 (362.0)	12.5 (317.5)	13.75 (349.3)	13.25 (336.6)	12.75 (323.9)	10.75 (273.1)

Symbols: N = Enclosure will not accommodate this lens size
 R = Rotate lens 90°, consult factory for layout assistance

* = Voids UL/CSA/CENELEC certifications
 * = Indicates center line

ENCLOSURES

ENCLOSURE OPTIONS



KB DRAINS / BREATHERS

ATEX/IEC Ex Certified



KB1-4X



KB1BCEN



KB1DCEN

Applications

When installed in the top of an enclosure, these fittings act as breathers which allows air flow through the enclosure. Bottom installations permit water from condensation to drain from the enclosure continuously. The drains and breathers are offered in a variety of hub sizes, 1/4, 3/8 & 1/2 inch NPT and metric M16 & M20.

Body Material

Aluminum with optional stainless steel or brass available for special orders.

Volume

For use in enclosures with a maximum internal volume to 9526 cubic inches or 160 liters.

Class I, Div. 1 & 2, Groups B[Ⓛ], C, D
 Class I, Zones 1 & 2, Groups IIB + H2[Ⓛ]
 Class II, Div. 1 & 2, Groups E, F, G
 Class III, Enclosure Type 3, 4 & 4X[Ⓛ]
 II 2 G Ex d IIB IIC[Ⓛ] T226°C Gb IP44
 Ta = -50°C to +60°C

UL Listed - File E10514
 cCSA^{us} Certified - File LR11716
 FM Approved Certified File 25215
 IEC Ex CSA 10.0007U
 SIRA 10ATEX1351U



- Ⓛ See chart below for suitability
- Ⓜ Warning – not for use in acetylene atmosphere
- Ⓝ Enclosure Type 4 & 4X for KBI-4X and KBI-4XS6 only

CATALOG NUMBER	THREAD SIZE	BODY MATERIAL	THIRD PARTY	SUITABILITY USA	THIRD PARTY	SUITABILITY CANADA	THIRD PARTY	SUITABILITY ATEX/IEC Ex
KB1BCEN BREATHER KB1DCEN DRAIN KBM20BCEN BREATHER KBM20DCEN DRAIN	1/2 NPT 1/2 NPT M20 M20	ALUMINUM ALUMINUM ALUMINUM ALUMINUM	CSAus CSAus CSAus CSAus	CLASS I GROUPS B, C & D CLASS I, ZONES 1 & 2 GR IIB+H2 CLASS II GROUPS E, F, & G CLASS III ENCL TYPE 3	cCSA cCSA cCSA cCSA	CLASS I GROUPS C & D CLASS I, ZONES 1 & 2 GR IIB CLASS II GROUPS E, F & G CLASS III ENCL TYPE 3	SIRA/CSA SIRA/CSA SIRA/CSA SIRA/CSA	II 2 G Ex d IIC T226°C Gb IP44 [Ⓛ]
KB1-4X KB1-4XS6	1/2 NPT 1/2 NPT	ALUMINUM 316SS	CSAus CSAus	CLASS I GROUPS B, C & D CLASS I, ZONES 1 & 2 GR IIB+H2 CLASS II GROUPS E, F, & G CLASS III ENCL TYPE 3 TYPE 3, 4 & 4X	cCSA cCSA	CLASS I GROUPS C & D CLASS I, ZONES 1 & 2 GR IIB CLASS II GROUPS E, F & G CLASS III ENCL TYPE 3 TYPE 3, 4 & 4X	N/A	N/A

Note: See Fitting Section for dimensions

KDE SERIES DRAIN BREATHERS

Applications

When installed in the bottom of a thin wall enclosure the KDE allows water from condensation to drain continuously out of the enclosure. The drain breathers are installed through clearance holes and held secured with a internal locknut. The silicone external o ring makes a hose down tight seal.



KDEGF0M20



KDES60M20

Class I, Div. 2, Groups A, B, C, D
 Class I, Zone 1 & 2, Ex e / AEx e IIC,
 A/Ex tb
 Class II, Div. 1[Ⓛ] & 2, Groups E, F, G
 Class III, Ambient Temperature Range
 -55°C to +80°C
 Enclosure Type 3, 4 & 4X[Ⓛ] IP66

Ex II 2 G D
 Ex e IIC Gb
 Ex tb IIIC Db IP66
 Ta = -55°C to +80°C



Features

- Sealing o-ring supplied as standard and suitable for use in a -55°C to +80°C temperature range.
- Variety of thread sizes 1/2 & 3/4 NPT, 1/2 & 3/4 NPSM, M20 & M25.
- Available in 300 series stainless steel, 316 stainless steel, aluminum and 30% glass filled nylon.
- Internal 316 stainless steel locknut supplied as standard. When tighten to the proper torque the joint makes a hose down tight seal for type 4, 4X & IP66 application.

Materials

- 303 or 304 stainless steel, 316 stainless steel, brass, aluminum or 30% glass filled nylon.
- Internal locknut 316 stainless steel.
- High temp silicone o-ring

cCSA^{us} 2714851
 CML 15ATEX3028X
 IECEx QPS 15.0002X
 Seguranca IEC Ex 15.0154X INMETRO

- Ⓛ Class II Div. 1 Canada only, Div. 2 in the US
- Ⓜ Type 4X in 316 & 304 SS, Aluminum & Nylon Materials

MATERIAL / CATALOG NUMBER					
ENTRY THREAD SIZE & TYPE	GLASS FILLED PA6 NYLON	ALUMINUM	316 STAINLESS STEEL	BRASS	NICKEL PLATED BRASS
M20	KDEGF0M20	KDEAL0M20	KDES60M20	KDEBR0M20	KDEBR1M20
M25	KDEGF0M25	KDEAL0M25	KDES60M25	KDEBR0M25	KDEBR1M25
1/2" NPT	KDEGF0050	KDEAL0050	KDES60050	KDEBR0050	KDEBR1050
3/4" NPT	KDEGF0075	KDEAL0075	KDES60075	KDEBR0075	KDEBR1075

Note: Other thread forms and materials available upon request.



KB SERIES FLAME ARRESTOR

FEATURES-SPECIFICATIONS

Applications

The flame arrestor provides a means to connect gas analysis equipment and electro pneumatic devices' pipe or tubing system through the wall of an explosion-proof enclosure.

Body Material: 6061-T6 series aluminum provided as standard. Optional stainless steel or brass for special orders.

ATEX/IEC Ex Certified



Class I, Div. 1 & 2, Groups B[Ⓛ], C, D
 Class I, Zones 1 & 2, Groups IIB + H2[Ⓛ]
 Class II, Div. 1 & 2, Groups E, F, G
 Class III, NEMA Type 3, 4[Ⓛ]
 II 2 G Ex d IIB IIC[Ⓛ] T3 Gb IP66[Ⓛ]
 Ex tb IIIC IP65/IP66[Ⓛ]
 Ta = -50°C to +60°C



CS US Certified - File LR11716
 IEC Ex CSA 10.0007U
 SIRA 10ATEX1351U



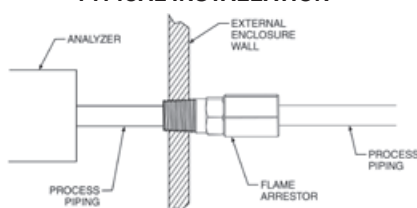
[Ⓛ] See chart below for suitability
[Ⓛ] Warning - not for use in acetylene atmospheres

CATALOG NUMBER	EXTERNAL THREAD SIZE	INTERNAL THREAD SIZE	THIRD PARTY	SUITABILITY USA	THIRD PARTY	SUITABILITY CANADA	THIRD PARTY	SUITABILITY ATEX/IEC Ex
KB1FA25	1/2 NPT	1/4 NPT	CSAus	CLASS I GROUPS B, C & D CLASS I, ZONES 1 & 2 GR IIB+H2 CLASS II GROUPS E, F, & G CLASS III TYPE 3 & 4	c CSA c CSA	CLASS I GROUPS C & D CLASS I, ZONES 1 & 2 GR IIB CLASS II GROUPS E, F & G CLASS III TYPE 3 & 4	SIRA/CSA	II 2 G Ex d IIC [Ⓛ] T3 Gb IP66
KB1FAM16 KBM20FA25 KBM20FA16	1/2 NPT M20 M20	M16 1/4 NPT M16	CSAus CSAus CSAus	CLASS I GROUPS B, C & D CLASS I, ZONES 1 & 2 GR IIB+H2 CLASS II GROUPS E, F & G CLASS III TYPE 3	c CSA c CSA c CSA	CLASS I GROUPS C & D CLASS I, ZONES 1 & 2 GR IIB CLASS II GROUPS E, F & G CLASS III TYPE 3	SIRA/CSA SIRA/CSA SIRA/CSA	II 2 G Ex d IIC T3 Gb IP65

Specifications

Air flow = 83 + 15 / -25 SCFH at 5PSI
 Pressure drop = 1.3 PSI at 100 PSI
 Maximum flow pressure = 800 PSI
 Volume = For use in enclosures with a maximum internal volume of 9526 cubic inches or 160 liters.

TYPICAL INSTALLATION



EXH SERIES CIRCUIT BREAKER HANDLES

FEATURES-SPECIFICATIONS

Applications

EXH Series circuit breaker handles are for use with the following Series of Killark enclosures: EXB, DB, B7E

- Used to activate circuit breakers and motor circuit protectors from front cover
- Factory or field installed in a 3/4" NPSM opening for EXH1 & EXH2 and a 1-1/4" NPSM for EXH3
- Has provision for Lock-On and Lock-Off with up to three padlocks
- Consists of an external handle mechanism with through-the-enclosure shaft and internal toggle mechanism and breaker pan

Materials

- Copper free aluminum with 316 stainless steel shaft and screens
- O-ring 70 durometer nitrile



EXH

Class I, Div. 1 & 2, Groups B,C,D
 Class I, Zones 1 & 2, Groups IIB+H2, IIA
 Class II, Div. 1 & 2, Groups E, F, G
 Class III, Encl. Type 3, 4 & 4X
 NEMA 3, 4, 4X, 7 (B,C,D) 9 (E,F,G)



LISTED - File E150827



Certified - File LR11714

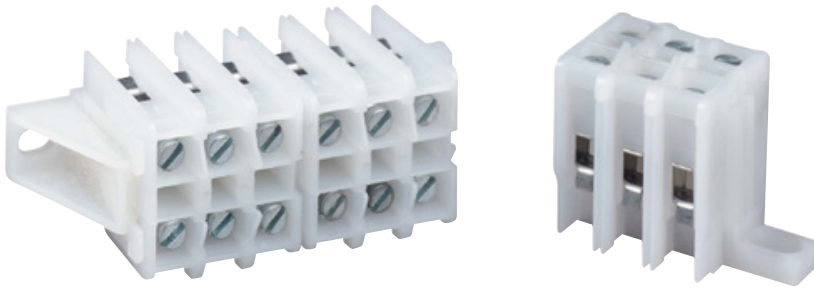
EXH CIRCUIT BREAKER HANDLE WITH SHAFT AND PAN					
CATALOG NUMBER			BREAKER MANUFACTURER	BREAKER FRAMES TO OPERATE	MAX. AMPS
6" DEEP BOX	8" DEEP BOX	10" DEEP BOX			
EXH1A6	EXH1A8	EXH1A10	GE	TEB-TED-THED-TEL	150
			ITE/Siemens	ED2-ED4-ED6-HED4-HED6	125
			Square D	FAL-FHL-FCL	100
			Cutler Hammer	EHD-FDB-FD-HFD-FDC-HMCP	150
N/A	EXH1B8	EXH1B10	GE	TFJ-TFK-THFK-TFL	225
			Square D	KAL-KHL-KCL	250
			Cutler Hammer	JDB-JD-HJD-JDC	250
N/A	EXH2C8	EXH2C10	Cutler Hammer	DK-KDB-KD-HKD-KDC	400
			GE	TJJ-TJK4-TJK6-THJK4-THJK6	600
N/A	EXH3D8	EXH3D10	ITE/Siemens	FXD6-FD6-HFD6-CFD6	250
			ITE/Siemens	JXD2-JXD6-JD6-HJD6-HHJD6-CJD6	400
			ITE/Siemens	LXD6-LD6-HKD6-HHLD6-CLD6	600
			Square D	LAL-LHL	400
			Cutler Hammer	LDB-LD-HLD-LDC	600
			GE	TKM8-THKM8-TKM12-THKM12	1200
N/A	N/A	EXH3E10	ITE/Siemens	MXD6-MD6-HMXD6-HMD6-CMD6	800
			ITE/Siemens	NXD6-ND6-HNXD6-HND6-CND6	1200
			Square D	LCL	600
			Square D	MAL-MHL	1000
			Cutler Hammer	ND-HND-NDC	1200

Submit sketch showing the desired location of internal breaker for factory location of handle mechanism. Order as separate option with enclosure for factory installation or by Catalog Number for field installation. Consult factory for handle mechanism for fused and non-fused disconnect switches.



ENCLOSURES

TERMINAL BLOCKS



Terminal Block

FEATURES-SPECIFICATIONS

600 Volt -#8-#22 CU; #8-#12 AL.
50 Amp Maximum

Applications

Mounting in EXB, XJB, GR, DB Series junction boxes.

- Use in connecting and in arrangement of control wiring for control panel and switchboard applications

Features

- Terminal blocks have clamping screw-type terminals which accommodate either aluminum or copper wire. TMS marking strips are included.
- When more than one terminal strip is required, a mounting pan should be used for ease of mounting and wiring

$$C = .625 + (1.3125 \times N)$$

$$L = 1.250 + (1.3125 \times N)$$

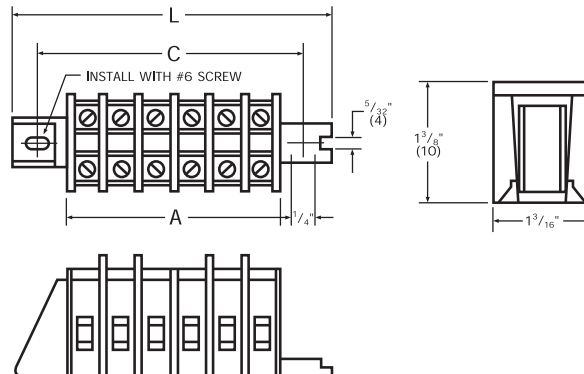
N = NUMBER OF BLOCKS

TBWE TERMINAL BLOCKS				
CATALOG NUMBER	NO. OF CIRCUITS	DIMENSIONS		
		A	C	L
TBWE-3	3	1.25	1-7/8"	2-1/2"
TBWE-6	6	2.50	3-1/8"	3-3/4"
TBWE-9	9	3.75	4-3/8"	5"
TBWE-12	12	5.0	5-5/8"	6-1/4"
TBWE-15	15	6.25	6-7/8"	7-1/2"
TBWE-18	18	7.50	8-1/8"	8-3/4"
TBWE-21	21	8.75	9-3/8"	10"
TBWE-24	24	10.0	10-5/8"	11-1/4"
TBWE-27	27	11.25	11-7/8"	12-1/2"
TBWE-30	30	12.50	13-1/8"	13-3/4"
TBWE-33	33	13.75	14-3/8"	15"
TBWE-36	36	15.0	15-5/8"	16-1/4"
TBWE-39	39	16.25	16-7/8"	17-1/2"
TBWE-42	42	17.5	18-1/8"	18-3/4"
TBWE-45	45	18.75	19-3/8"	20"
TBWE-48	48	20.0	20-5/8"	21-1/4"
TBWE-51	51	21.25	21-7/8"	22-1/2"
TBWE-54	54	22.50	23-1/8"	23-3/4"
TBWE-57	57	23.75	24-3/8"	25"
TBWE-60	60	25.0	25-5/8"	26-1/4"

Cutler Hammer TypeTBA Modular Terminal Blocks

600 Volt-#8-#22 CU.; #8-#12 AL.

Clamping Screw Type Terminals, Type TMS Marking Strip Included





THREADED ENCLOSURES



ATEX / IEC Ex Certified

Class I, Div. 1 & 2, Groups B, C, D
Class I, Zones 1 & 2, Groups IIB+H₂, IIA
Class II, Div. 1 & 2, Groups E, F, G
Class III, Div. 1 & 2
Type 3, 4 & 4X
NEMA 3, 4, 4X, 7 (B, C, D), 9 (E, F, G)
ATEX/IEC Ex
Ex d IIC T6 or T5
Ex tD A21 IP66 T80°C or T90°C IP66
Ta = -20°C to +60°C

- UL #UL886 - Outlet Boxes and Fittings for use in Hazardous (Classified) Locations. File #E10514
- UL #UL1203 - Explosion Proof and Dust Ignition Proof Electrical Equipment. File #E83969
- SP #C22.2 No. 30-M1986 - Explosion Proof Enclosure for use in Class I Hazardous Locations. File #LR11716
- FM #3600 & 3615 File #2Y4A5.AE
- Ex II 2 G/D 0539 **CE**
 PTB 02 ATEX 1071U (Empty Housing)
 PTB 02 ATEX 1072 (Enclosure with Controls)
 IEC Ex PTB 05 0029
 IEC Ex PTB 05.0028U

FEATURES-SPECIFICATIONS

Applications

- Hazardous locations due to the presence of flammable gases or vapors, combustible dusts or easily ignitable fibers or flyings, and areas which are subject to corrosion, weather and dampness
- Installations at petroleum refineries, chemical and petrochemical plants, storage areas, and other processing facilities where hazardous substances are handled or stored
- Applications requiring junction, pull and/or splice boxes
- Enclosures to house meters, relays, terminal strips, control transformers, etc.

• **Global applications* (ATEX/IEC Ex) Enclosures are available for global applications with "CEN" suffix. Assemblies that are modified to ATEX/IEC Ex standards maintain their North American certifications.**

Features

- Compact square or rectangular enclosures with threaded screw type covers provide easy access to interior
- Can be shipped in component parts and still maintain third party UL-CSA-FM approvals
- Available in three different cover types, flat blank, lens and dome covers
- Cast mounting lugs are standard on all assemblies
- Available as blank box or can be custom drilled and tapped for conduit openings which may be factory or field installed on the four sides or back wall
- Gaskets are standard on all assemblies and with covers when component part ordering
- Internal ground screw supplied on all boxes
- CEN suffix modification for CENELEC Certification includes an external ground screw, cover locking screw, and nameplate displaying certification and area classifications. Feature is only available on complete assemblies and not available when component part ordering.

Material/Finish

- Enclosures: Copper-free Aluminum (less than 4/10 of 1%)
- Optional Mounting Pans: Sheet Aluminum
- Lens Cover Glass: Tempered soda lime glass
- Cover Gaskets: GRB, GRE, GRM, GRK, GRL 70 Durometer NITRILE GRH, GRHA, GRHC 57 63 Durometer BUNA-N
- Electrostatically applied gray powder epoxy/polyester finish on exterior of box and cover

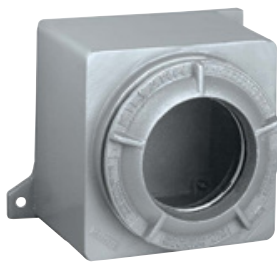


ENCLOSURES

THREADED ENCLOSURES



Box with blank cover



Box with lens cover



Box with dome cover

NOTE: See Page E46 for Third Party Certifications

FEATURES-SPECIFICATIONS

GR COMPLETE ASSEMBLIES									
COVER OPENING DIAMETER	NOMINAL EXTERNAL BOX DIMENSIONS WITHOUT COVER			CATALOG NUMBER		VIEWING AREA	CATALOG NUMBER	DEPTH OF DOME	MAXIMUM CONDUIT SIZE
	L	W	D	BOX WITH BLANK COVER	BOX WITH LENS COVER		BOX WITH DOME COVER		
3.906 (99.21)	4.63 (117.60)	4.63 (117.60)	4.15 (105.41)	GRB	GRB-275L	2.75 (70)	2GRB	2 (51)	1-1/2"
							4GRB	4 (102)	
4.34 (110.24)	6.63 (168.40)	5.5 (139.70)	5.25 (133.35)	GRE	GRE-300L	3 (76)	—	—	2"
5.28 (134.11)	6.87 (174.50)	6.87 (174.50)	5.93 (150.62)	GRM	GRM-375L	3.75 (95)	5GRM	5 (127)	2"
7.25 (184.15)	9.87 (250.70)	8.38 (212.85)	6.53 (165.86)	GRK	GRK-537L	5.38 (137)	4GRK	4 (102)	2-1/2"
7.87 (199.90)	10.5 (266.70)	8.87 (225.30)	7.18 (182.37)	GRL	GRL-600L	6 (152)	—	—	2"
9.63 (244.60)	12 (304.80)	11 (279.40)	7.63 (193.80)	GRH	GRH-775L	7.75 (197)	4GRH	4 (102)	3 1/2"
							8GRH	8 (203)	
9.63 (244.60)	12.18 (309.37)	11 (279.40)	11 (279.40)	GRHC	GRHC-775L	7.75 (197)	4GRHC	4 (102)	4"
							8GRHC	8 (203)	
9.63 (244.60)	12 (304.80)	11 (279.40)	16.18 (410.97)	GRHA	GRHA-775L	7.75 (197)	4GRHA	4 (102)	4"
							8GRHA	8 (203)	

NOTE: To order above items with ATEX IEC EX Modifications and Certifications add suffix CEN to end of catalog number. (Example: GRBCEN)
To order above items with a flat back pan installed add suffix P to catalog number.



GR COMPONENT PARTS							
ENCLOSURE SERIES	CATALOG NUMBER OF COMPONENTS						
	BOX WITHOUT COVER	BLANK COVER	LENS COVER	DOME COVER	GASKET REPLACEMENT	FLAT PAN	DIMENSIONS FOR MTG. PANS
GRB	GRBB	GRB-BC	GL-275	2" - 2GRBD	GRB-RG	6086PAN	3.4 x 3.5 (86 x 89)
				4" - 4GRBD			
GRE	GREB	GRE-BC	GL-300	—	GRE-RG	6074	4 x 4.5 (102 x 114)
GRM	GRMB	GRM-BC	GL-375	5" - 5GRMD	GRM-RG	6064	5 x 5 (127 x 127)
GRK	GRKB	GRK-BC	GL-537	4" - 4GRKD	GRK-RG	6038	5.5 x 7.5 (140 x 191)
GRL	GRLB	GRL-BC	GL-600	—	GRL-RG	6053	6 x 8.5 (152 x 216)
GRH	GRHB	GRH-BC	GL-775	4" - 4GRHD	GRH-RG	6058	8 x 9 (203 x 229)
				8" - 8GRHD			
GRHC	GRHCB	GRH-BC	GL-775	4" - 4GRHD	GRH-RG	6058	8 x 9 (203 x 229)
				8" - 8GRHD			
GRHA	GRHAB	GRH-BC	GL-775	4" - 4GRHD	GRH-RG	6058	8 x 9 (203 x 229)
				8" - 8GRHD			

NOTES: Covers are supplied with gasket.
For Group B locations all conduits must be sealed within 18" of enclosures.



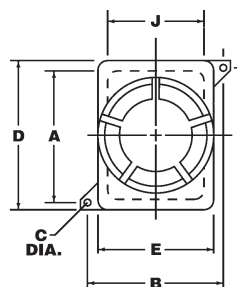
THREADED ENCLOSURES

CAT. NO.	MTG DIM					INTERNAL								+M
	A	B	C	D	E	F	G*	H	I	J	K	L		
GRB	4	6	0.31	4.63	4.63	4.15	3.91	4.56	4.53	3.75	3.75	2.68	2.75	
	(101.6)	(152.4)	(7.9)	(117.6)	(117.6)	(105.4)	(99.3)	(115.8)	(115.1)	(95.3)	(95.3)	(68.1)	(69.9)	
GRE	5.75	6.5	0.31	6.63	5.5	5.25	4.34	5.75	5.72	4.63	5.75	3.28	3	
	(146.1)	(165.1)	(7.9)	(168.4)	(139.7)	(133.4)	(110.2)	(146.1)	(145.3)	(117.6)	(146.1)	(83.3)	(76.2)	
GRM	5.87	8.13	0.31	6.87	6.87	5.93	5.28	6.56	6.56	6	6	4.18	3.75	
	(149.1)	(206.5)	(7.9)	(174.5)	(174.5)	(150.6)	(134.1)	(166.6)	(166.6)	(152.4)	(152.4)	(106.2)	(95.3)	
GRK	9.13	9.63	0.31	9.87	8.38	6.53	7.25	7.28	7.18	7.06	8.31	4.13	5.38	
	(231.9)	(244.6)	(7.9)	(250.7)	(212.9)	(165.9)	(184.2)	(184.9)	(182.4)	(179.3)	(211.1)	(104.9)	(136.7)	
GRL	9.5	10.5	0.44	10.5	8.87	7.18	7.87	7.97	7.93	7.63	9.13	4.93	6	
	(241.3)	(266.7)	(11.2)	(266.7)	(225.3)	(182.4)	(199.9)	(202.4)	(201.4)	(193.8)	(231.9)	(125.2)	(152.4)	
GRH	10.75	12.13	0.44	12	11.63	7.63	9.63	8.38	8.63	9.5	10.5	5	7.75	
	(273.1)	(308.1)	(11.2)	(304.8)	(295.4)	(193.8)	(244.6)	(212.9)	(219.2)	(241.3)	(266.7)	(127.0)	(196.9)	
GRHA	8.25	12.13	0.44	12	11.63	16.18	9.63	16.93	16.18	9.5	10.5	13.56	7.75	
	(209.6)	(308.1)	(11.2)	(304.8)	(295.4)	(411.0)	(244.6)	(430.0)	(411.0)	(241.3)	(266.7)	(344.4)	(196.9)	
GRHC	8.25	12.13	0.56	12.18	11.63	11	9.63	11.75	12	9.56	10.63	8.43	7.75	
	(209.6)	(308.1)	(14.2)	(309.4)	(295.4)	(279.4)	(244.6)	(298.5)	(304.8)	(242.8)	(270.0)	(214.1)	(196.9)	

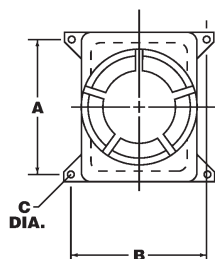
CATALOG NUMBER	S DIM INCHES (MM)
2GRB	7 (177.80)
4GRB	9 (228.60)
5GRM	12.25 (311.15)
4GRK	11.93 (303.02)
4GRH	13 (330.20)
8GRH	17 (431.80)
4GRHA	21.5 (546.10)
8GRHA	25.5 (647.70)
4GRHC	16.31 (414.27)
8GRHC	20.31 (515.88)

NOTE: GRH has four lugs with holes. GRHA & GRHC has four lugs with slots.

* Box Opening
+ Lens Viewing

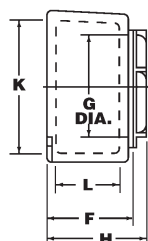


GRB
GRE
GRM

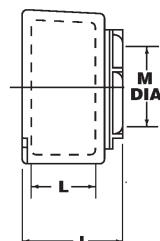


GRH
GRHA
GRHC

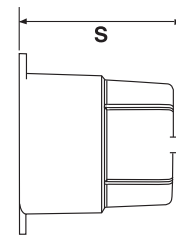
Dimensions



Blank Cover



Lens Cover



Dome Cover

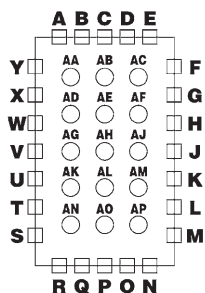
GR MODIFICATIONS	
SUFFIX NUMBER	DESCRIPTION
SU3B-4X	Drain and breather Groups B, C, D, Type 4X
SU3ATEX	ATEX/IEC Ex Drain and breather*
P	Internal flat mounting pan installed
CEN	ATEX/IEC Ex modification and certification (complete box & cover assembly only)
SU8	Drill for pan mounting studs without pan
SU6	Removal of external mounting lugs

- SU3B-4x are not ATEX/IECEx approved
- SU3-ATEX voids Type 4, 4X and IP66 rating

*See Drain / Breather Catalog Page

Drilled & Tapped Conduit Openings

Boxes are furnished blank for field drilling and tapping of conduit openings. If factory openings are requested submit drawing or select from charts below.



SYMBOL NUMBER	
SIZE	SYMBOL
1/2"	1
3/4"	2
1"	3
1-1/4"	4
1-1/2"	5
2"	6
2-1/2"	7
3"	8
3-1/2"	9
4"	10

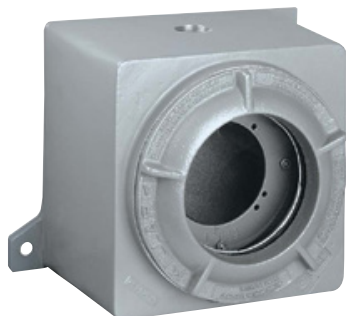
EXAMPLE: GRB-C3-J2-P1=
GRB enclosure with 1" NPT top center,
3/4" NPT right side center,
1/2" NPT bottom center

GR ENCLOSURE VOLUMES	
CATALOG NUMBER	VOLUME CU IN (LT)
GRB	45 (0.74)
GRE	105 (1.72)
GRM	180 (2.95)
GRK	305 (5.00)
GRL	405 (6.64)
GRH	615 (10.09)
GRHA	1450 (23.78)
GRHC	985 (16.15)
GRB-275L	40 (0.66)
GRE-300L	95 (1.56)
GRM-375L	170 (2.79)
GRK-537L	280 (4.59)
GRL-600L	380 (6.23)
GRH-775L	570 (9.35)
GRHA-775L	1400 (22.96)
GRHC-775L	940 (15.42)
2GRB	60 (0.98)
4GRB	80 (1.31)
5GRM	250 (4.10)
4GRK	410 (6.72)
4GRH	820 (13.45)
8GRH	1050 (17.22)
4GRHA	1660 (27.22)
8GRHA	1890 (31.00)
4GRHC	1195 (19.60)
8GRHC	1425 (23.37)



ENCLOSURES

INSTRUMENT ENCLOSURES



Class I, Div. 1 & 2, Groups B,C,D
Class I, Zones 1 & 2, Groups IIB+H2, IIA
Class II, Div. 1 & 2, Groups E, F, G
Class III, Div. 1 & 2
NEMA 3, 4, 4X, 7 (B, C, D), 9 (E, F, G)



#UL1203 - Explosion Proof and Dust Ignition Proof Electrical Equipment. File #E83969



#C22.2 No. 30-M1986 -Explosion Proof Enclosure for use in Class I Hazardous Locations. File #LR11716



#3600 & 3615 File #2Y4A5.AE

FEATURES-SPECIFICATIONS

Applications

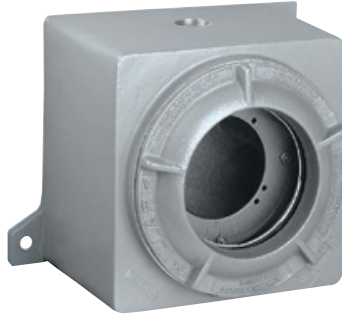
Use GR Series Instrument Enclosures for mounting of 3", 3-1/2", 4" or 4-1/2" round or rectangular instruments such as ammeters and voltmeters

- Two 3/4"-14 NPT drilled and tapped conduit openings, one top and one bottom, are standard
- Internal mounting pan is attached to inside back of box with spacers for mounting meter

GR INSTRUMENT ENCLOSURES (INSTRUMENTS NOT SUPPLIED)				
CATALOG NUMBER	MANUFACTURER	INSTRUMENT		
		MODEL	SIZE	TYPE
GRM-375L52	Weston	1930 Series	3-1/2"	Rectangular
		301 Series	3"	Rectangular
		301 Series	3-1/2"	Round
GRM-375L52	General Electric	KT w/o reset	3"	Rectangular
		KT w/o reset	3-1/2"	Round
GRM-375L52	Cutler Hammer	R-351	3"	Rectangular
		B-351 w/o reset	3"	Rectangular
GRM-375L52	Simpson	N-351	3-1/2"	Round
		27, 27T, 37, 47, 57, 77 Series	3"	Rectangular
		2100 Series	3-1/2"	Rectangular
		25, 25T, 35, 45, 55 Series	3-1/2"	Round
		55ET	3-1/2"	Round
		75	3-1/2"	Round
		1300 Series	3-1/2"	Rectangular
		3223	3-1/2"	Round
GRM-375L52	Cutler Hammer	3323	3-1/2"	Rectangular
GRM-375L52	Cutler Hammer	N-371 Series	4-1/2"	Round
GRK-537L52A	Cutler Hammer	R-371 Series	4"	Rectangular
GRK-537L52A	Simpson	3224	4-1/2"	Round
GRK-537L52A	General Electric	250, 162, 167, 251 Series	3-1/2"	Rectangular
		178 Series	4-1/2"	Rectangular
		171 Series frequency meter	4-1/2"	Rectangular
		236 w/o Reset	3-1/2"	Rectangular
GRK-537L52B	Weston	1940 Series	4-1/2"	Rectangular
GRK-537L52B	General Electric	AB/DB-30 AC ammeter	4-1/2"	Rectangular
		AB/DB-30 AC/DC ammeter	4-1/2"	Rectangular
GRL-600L52B	General Electric	AB/DB-40 AC ammeter	4-1/2"	Rectangular
GRK-537L52B	General Electric	DB-40 DC ammeter	4-1/2"	Rectangular
		DB-40 DC voltmeter	4-1/2"	Rectangular
		171, 250, 251 Series	4-1/2"	Rectangular
GRL-600L52C	Simpson	29, 29T, 39, 49, 59, 79, 1300, 2100 Series	4-1/2"	Rectangular
GRH-775L52B	General Electric	AB/DB-40 AC voltmeter	4-1/2"	Rectangular



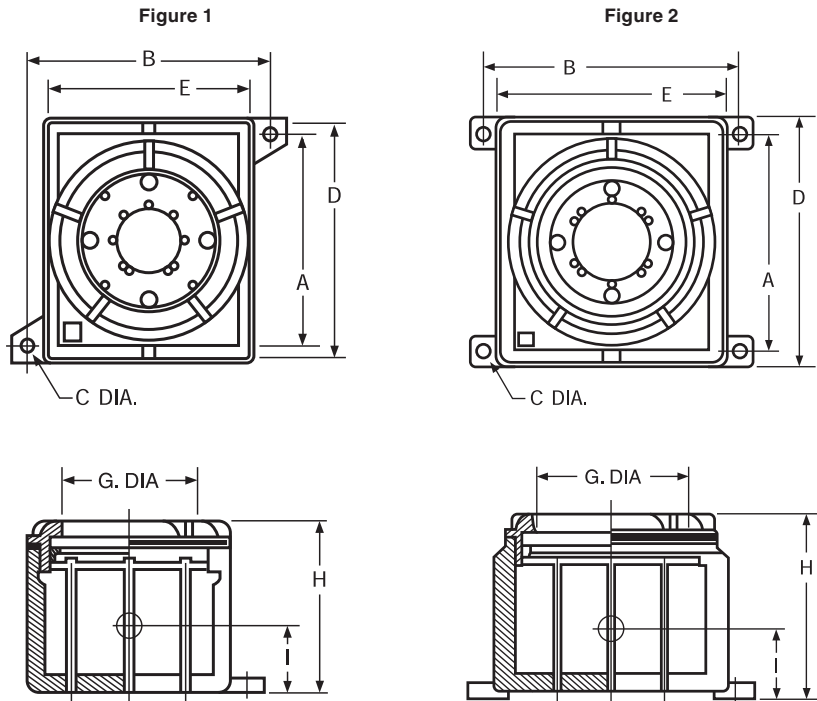
INSTRUMENT ENCLOSURES



FEATURES-SPECIFICATIONS

GR DIMENSIONS									
CATALOG NUMBER	FIG. NO.	A	B	C	D	E	G	H	I
GRM-375L52	1	5-7/8"	8-1/8"	5/16"	6-7/8"	6-7/8"	3-9/16"	6-13/32"	2-5/8"
GRK-537L52A	1	9-1/8"	9-1/8"	5/16"	9-7/8"	7-7/8"	4-7/8"	6-11/16"	2-1/2"
GRK-537L52B	1	9-1/8"	9-1/8"	5/16"	9-7/8"	7-7/8"	4-7/8"	6-11/16"	2-1/2"
GRL-600L52B	1	9-1/2"	10-1/2"	7/16"	10-1/2"	8-7/8"	5-13/16"	7-17/32"	2-3/4"
GRL-600L52C	1	9-1/2"	10-1/2"	7/16"	10-1/2"	8-7/8"	5-13/16"	7-17/32"	2-3/4"
GRH-775L52B	2	10-3/4"	12-1/8"	7/16"	12"	11"	7-7/16"	8-3/4"	3"

Dimensions



ENCLOSURES



HK/2HK SERIES

INSTRUMENT / DEVICE ENCLOSURES



HK



2HK

FEATURES-SPECIFICATIONS

Applications

Instrumentation housed in HK Series enclosures typically used to measure, detect, monitor, transmit and control industrial processes and systems.

HK Series enclosures are suitable for a broad range of applications, meeting both domestic and international code requirements.

Some specific examples of the type of instruments that can be housed in these enclosures include:

- Flow measurement devices
- Temperature monitors
- Two-wire transmitters
- Gas detectors
- Ph analyzers
- Pressure gauges
- Temperature transmitters
- Oxygen/combustible gas sensors
- Methane gas monitors
- Level detectors
- H2S monitors
- Transducers
- Pressure switches

See pages E53 - E54 for dimensions.

Features

- Enclosures are explosion proof, dust/ignition proof, weather proof and tamper resistant
- HK Series boxes covers are cast from a copper-free aluminum alloy
- Cast stainless steel box, flat & lens cover available (HKSBC-BC + HKSBC-GLC)
- Neoprene O-rings are provided with HK boxes to assure water resistance in NEMA 4/IP66 conditions

- Three box styles available: HKB, HKBD single cover design and the 2HKB double cover design. 2HKB enclosure has two separate chambers for isolation between power and instrument.
- HKB, HKBD box has offset feed-thru conduit openings (3/4" NPT) for maximum use of interior volume
- 2HKB box has offset feed-thru conduit openings (3/4" NPT) on power side and one (3/4" NPT) on bottom instrument side
- Interior mounting pad for instrument/device cast into the bottom of the HKB, HKBD box is provided in an "X"-configuration for flexibility
- Location of the internal ground screw boss does not interfere with the mounting of the instrument or device
- Eight different cover styles are available: standard flat cover, standard glass lens cover, 1" dome cover, 1" dome lens cover, 2" dome cover, 2" glass lens dome cover, 4" dome cover and 4" dome lens cover.
- All covers have shrouded tamper resistant set screws as standard which can help to combat excessive vibration in rugged settings
- Lugs on cover permit easy removal and tightening

ATEX/IECEx Certified

IECEx UL 14.0071U
DEMKO 01 ATEX 15742U

II 2 G / D

Ex db IIC Gb, Ex tb IIC Db IP66
Ta = -20°C to +60°C for GL (glass) lenses
Ta = -20°C to +70°C for blank covers

Class I, Div. 1 & 2, Groups A*, B, C, D†
Class I, Zones 1 & 2, Groups IIB + H2, IIA
Class II, Div. 1 & 2, Groups E, F, G
Class III, Type 3, 4, 4X
NEMA 3, 4, 4X, 7 (B, C, D) 9 (E, F, G)

UL Classified - File E83969 & File E150827

SP Certified - File LR11716

FM Approved File 1W1R4-RE



Material/Finish

- Boxes and covers – copper-free aluminum (less than 4/10 of 1%)
- HKSBC series is 316 cast stainless steel
- O-ring sealing gasket – Neoprene rubber
- Ground screws – zinc plated steel with green dye (Stainless steel on HKSBC)
- Allen head cover screw – cadmium plated steel (Stainless steel on HKSBC)
- Glass lens – 3/8" thick tempered glass
- Finish – silver powder epoxy paint, electrostatically applied
- Special colors available in quantity

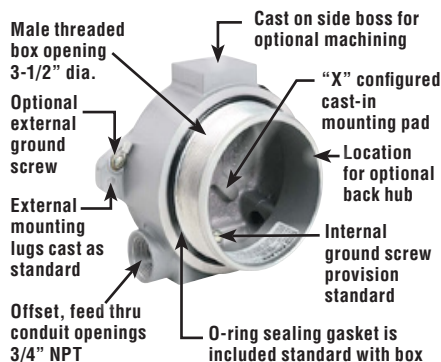
* Group A FM only on HK single cover box. Order with -GA suffix.

** CENELEC on assembled HK parts only with suffix "C".

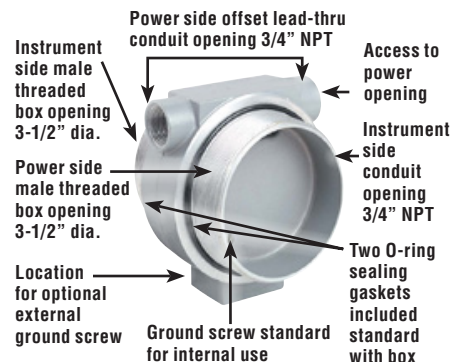
*** Seal immediately adjacent to enclosure.

† Seal within 18" of enclosure for Groups BCD and within 6" for Group A in accordance with sections 501-5 and 502-5 of the National Electrical Code.

HK Design Features



2HK Design Features





HK/2HK SERIES



INSTRUMENT / DEVICE ENCLOSURES

Boxes



HKB
HKBD



2HKB



HKB-BC



HKSB-GLC

Standard Flat Covers



HFC Blank



HKGL Lens



HK1D Blank

Dome Covers 1", 2" and 4"



HK1GLD Lens



HK2D Blank



HK2GLD Lens



HK4D Blank



HK4GLD Lens

FEATURES-SPECIFICATIONS

2HKB Series Boxes

The wall that separates the instrument side from the power side can be machined for slots or holes up to a maximum of two slots 5/16" by 1-1/2".

Submit drawings for machining requirements to Killark.

Factory Modifications

Approvals allow for factory or field modifications on HKB box for drilling and tapping conduit openings on side or back of enclosure without voiding UL-CSA-FM approvals. Internal mounting pad holes on "X" configured boss can be factory added by drilling from inside of box without piercing the bottom of enclosures. Assemblies with ATEX/IEC Ex approvals must be factory modified in order to comply with certifications.

HK ASSEMBLED PARTS ^{②③}					
CATALOG NUMBER (CAST ALUMINUM)					
HKB BOX & COVERS		HKBD BOX & COVERS	2HKB BOX W / BLANK COVER ON POWER SIDE & OPTIONAL COVER ON INSTRUMENT SIDE ^④		COVER TYPE
UL-CSA-FM APPROVED	CENELEC UL-CSA-FM APPROVED	UL-CSA-FM APPROVED	(UL-CSA-FM)	CENELEC UL-CSA-FM APPROVED ^①	
HKB-B	HKB-BC	HKBD-B	2HKB-B-B	2HKB-BC-BC	Standard flat
HKB-2D	HKB-2DC	HKBD-2D	2HKB-B-2D	2HKB-BC-2DC	2" Dome
HKB-4D	HKB-4DC	HKBD-4D	2HKB-B-4D	2HKB-BC-4DC	4" Dome
HKB-GL	HKB-GLC	HKBD-GL	2HKB-B-GL	2HKB-BC-GLC	Lens
HKB-2GLD	HKB-2GLDC	HKBD-2GLD	2HKB-B-2GLD	2HKB-BC-2GLDC	2" Dome lens

HK COMPONENT PARTS	
CATALOG NUMBER	DESCRIPTION
HKB	Single cover box only
HKBD	Single deep box only
2HKB	Double cover Box only
HFC	Flat cover
HKGL	Lens cover
HK1D	1" Dome cover
HK1GLD	1" Dome lens cover
HK2D	2" Dome cover
HK4D	4" Dome cover
HK2GLD	2" Dome lens cover
HK4GLD	4" Dome lens cover
15722LABB	Rep. "O" Ring Gasket

HKSB STAINLESS STEEL ASSEMBLED PARTS ^②	
HKSB BOX & COVERS CENELEC UL-CSA-FM APPROVED	COVER TYPE
HKSB-BC	Standard flat
HKSB-GLC	Lens

HKB FACTORY MODIFICATIONS	
OPTIONAL FACTORY MACHINING (HKB)	
CATALOG SUFFIX	DESCRIPTION
-01 -	1/2 NPT hub in back
-02 -	3/4 NPT hub in back
-10 -	1/2 NPT hub in side
-20 -	3/4 NPT hub in side
-21 -	3/4 NPT hub in side 1/2 NPT hub in back
-22 -	3/4 NPT hub in side 3/4 NPT hub in back
-02S -	3/4 NPSM hub in back
-22S -	3/4 NPT hub in side 3/4 NPSM hub in back
-2S2S -	3/4 NPSM hub in side 3/4 NPSM hub in back
-2S0 -	3/4 NPSM hub in side
-2S1 -	3/4 NPSM hub in side 1/2 NPT hub in back
-2S2 -	3/4 NPSM hub in side 3/4 NPT hub in back
-GS	External ground screw (Standard on HKB assembly with CENELEC approvals)
-GA -	Group A - FM approval (Available only on HKB box furnished with covers installed)
-SU93 -	Unpainted - Natural finish
-SU9 -	Special colors of powder paint available in quantity. Consult factory for details

① Assemblies that are CENELEC approved include as standard:

- External ground screw with terminal
- Predrilled nameplate holes and screw on pad for customer installed nameplate.

② See information at right for optional factory machining.

③ Product is stocked at component level. Recommend ordering as such for reduced lead time.

④ 2HKB Assemblies include a flat cover on power side, dome and lens covers can be substituted in place of flat cover, consult factory for ordering details.

Ordering examples:

Modified box component HKB-20

Modified assembly HKB - B - 20 OR HKB - BC - 20



INSTRUMENT / DEVICE ENCLOSURES



HK



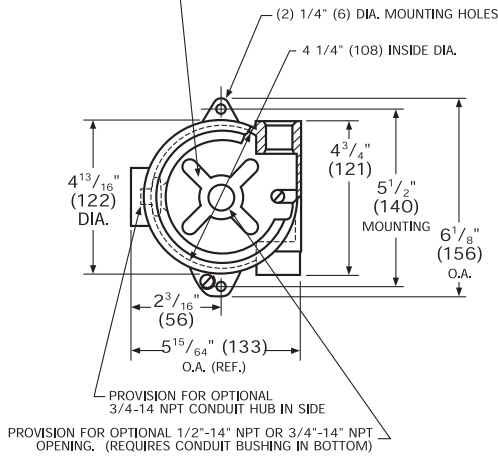
HKSB - Stainless Steel

FEATURES-SPECIFICATIONS

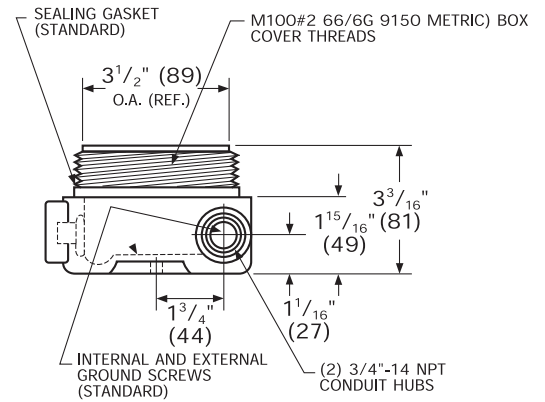
Dimensions

Note: Add 1/2" to all depth dimensions when using HKBD Deep Box. HKBD volume = 33 cu.in.

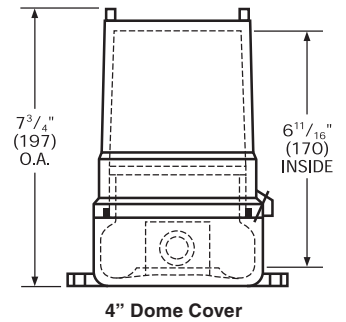
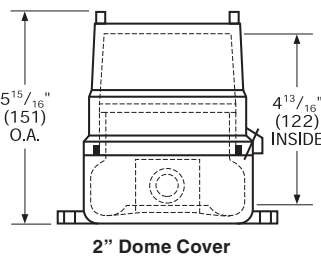
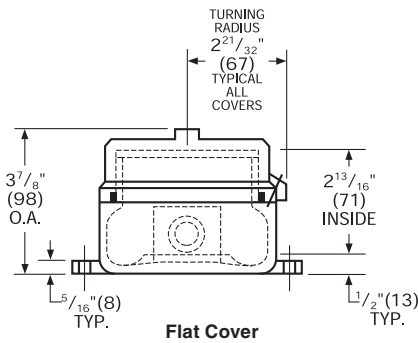
RAISED MOUNTING PAD FOR INSTALLATION OF METERS OR DEVICES. MAXIMUM DRILLING DEPTH, 5/16" (7.94MM); MAXIMUM TAP DEPTH, 1/4" (6.35 MM); MAXIMUM TAP SIZE, #10 NF OR NC OR ISO M 4 X 0.7



HKB Volume: 31 cu. in.



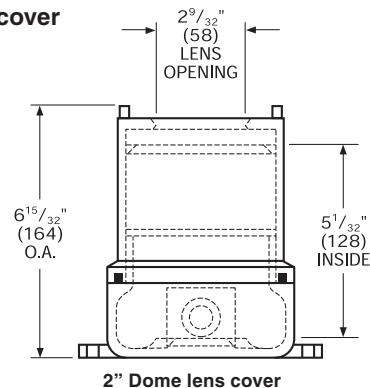
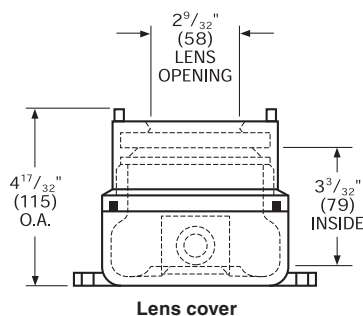
HKB box and blank cover



HKB box and glass lens cover

For HK1GLD (1" Dome Lens Cover), add 1" to lens cover verticle height dimensions

For HK4GLD (4" Dome Lens Cover), add 2" to 2 dome lens cover verticle height dimensions





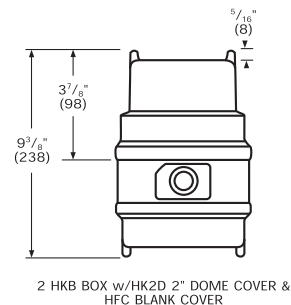
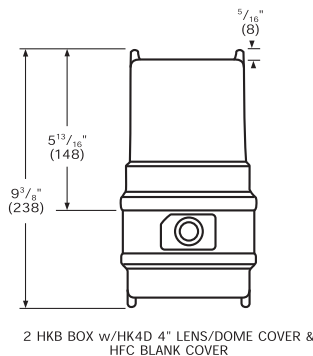
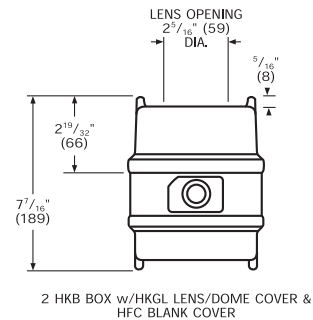
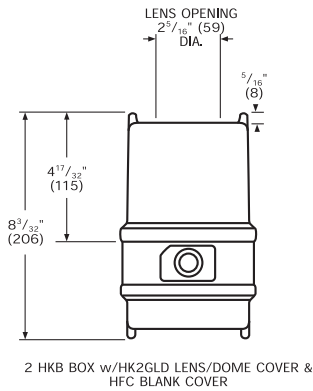
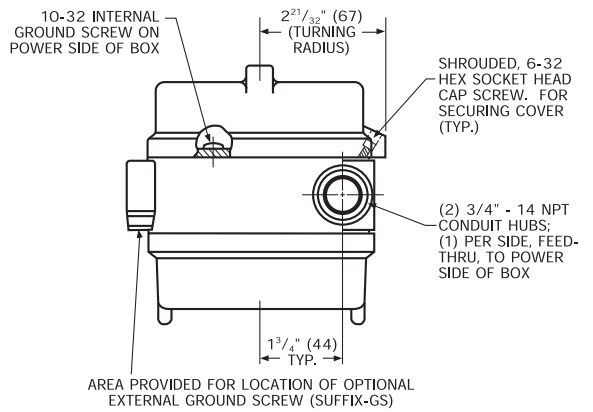
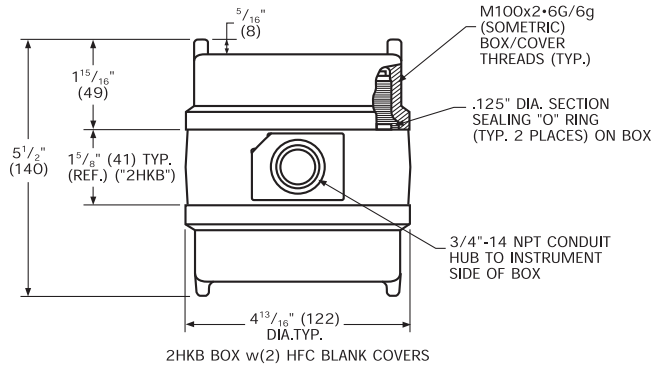
INSTRUMENT / DEVICE ENCLOSURES



2HK

FEATURES-SPECIFICATIONS

Dimensions



ENCLOSURES



B7/DB/EXB/GR SERIES

CONDUIT OPENING DATA

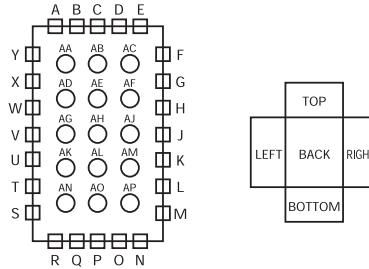
Instructions

Drilled and tapped conduit openings will be evenly spaced and located in the area indicated on the location chart. Critical conduit opening locations may be indicated by supplying a diagram similar to the one shown at right indicating critical dimensions and locations. Specific conduit openings must be located dimensionally from box centerlines to conduit centerlines and from outside back surface of box to conduit centerline.

Ordering Information:

- (1) Select the letter on location chart which indicates conduit opening position desired.
- (2) Select symbol number from chart which indicates conduit opening type and size.

- (3) Combine the conduit location letter, size and type number, and add as a suffix to junction box catalog number.
Example: EXB-12248 N34-C3-J5-PI3-AH4



Drawing indicates position as looking into open face of box with short side (top) up.

EXB/XJB/DB/GR SYMBOL NUMBERS		
CONDUIT SIZE	CONDUIT OPENINGS DRILLED AND TAPPED	UNION ^④
1/2"	1	11
3/4"	2	12
1"	3	13
1-1/4"	4	14
1-1/2"	5	15
2"	6	16
2-1/2"	7	17
3"	8	18
3-1/2"	9	19
4"	0	10
5"	02	-
6"	04	-

EXB/DB/GR – MINIMUM CENTERS FOR DRILLED AND TAPPED OPENINGS AND UNION HUBS													
SIZE	FORM	1/2"	3/4"	1"	1-1/4"	1-1/2"	2"	2-1/2"	3"	3-1/2"	4"	5"	6"
1/2"	①MIN	1-3/16"	-	-	-	-	-	-	-	-	-	-	-
1/2"	②PRE	1-3/8"	-	-	-	-	-	-	-	-	-	-	-
1/2"	③GU	1-5/8"	-	-	-	-	-	-	-	-	-	-	-
3/4"	①MIN	1-3/8"	1-1/2"	-	-	-	-	-	-	-	-	-	-
3/4"	②PRE	1-1/2"	1-5/8"	-	-	-	-	-	-	-	-	-	-
3/4"	③GU	1-3/4"	1-13/16"	-	-	-	-	-	-	-	-	-	-
1"	①MIN	1-1/2"	1-3/4"	1-13/16"	-	-	-	-	-	-	-	-	-
1"	②PRE	1-3/4"	1-7/8"	2"	-	-	-	-	-	-	-	-	-
1"	③GU	1-7/8"	2"	2-1/8"	-	-	-	-	-	-	-	-	-
1-1/4"	①MIN	1-11/16"	1-15/16"	2-1/16"	2-5/16"	-	-	-	-	-	-	-	-
1-1/4"	②PRE	1-15/16"	2-1/16"	2-1/4"	2-1/2"	-	-	-	-	-	-	-	-
1-1/4"	③GU	2-1/16"	2-1/4"	2-5/16"	2-1/2"	-	-	-	-	-	-	-	-
1-1/2"	①MIN	1-15/16"	2-1/16"	2-3/16"	2-1/2"	2-5/8"	-	-	-	-	-	-	-
1-1/2"	②PRE	2-1/8"	2-1/4"	2-3/8"	2-5/8"	2-3/4"	-	-	-	-	-	-	-
1-1/2"	③GU	2-3/16"	2-9/32"	2-7/16"	2-5/8"	2-3/4"	-	-	-	-	-	-	-
2"	①MIN	2-1/4"	2-3/8"	2-9/16"	2-13/16"	2-15/16"	3-3/16"	-	-	-	-	-	-
2"	②PRE	2-3/8"	2-1/2"	2-3/4"	3"	3-1/8"	3-3/8"	-	-	-	-	-	-
2"	③GU	2-1/2"	2-19/32"	2-3/4"	3"	3-1/8"	3-3/8"	-	-	-	-	-	-
2-1/2"	①MIN	2-7/16"	2-9/16"	2-3/4"	3"	3-1/8"	3-3/8"	3-5/8"	-	-	-	-	-
2-1/2"	②PRE	2-5/8"	2-3/4"	3"	3-1/4"	3-3/8"	3-5/8"	4"	-	-	-	-	-
2-1/2"	③GU	3-1/8"	3-7/32"	3-3/8"	3-9/16"	3-11/16"	4"	4-5/8"	-	-	-	-	-
3"	①MIN	2-13/16"	2-15/16"	3-1/16"	3-5/16"	3-7/16"	3-3/4"	4"	4-5/16"	-	-	-	-
3"	②PRE	3"	3-1/8"	3-3/8"	3-5/8"	3-3/4"	4"	4-3/8"	4-3/4"	-	-	-	-
3"	③GU	3-9/16"	3-21/32"	3-13/16"	4"	4-1/8"	4-7/16"	5-1/16"	5-1/2"	-	-	-	-
3-1/2"	①MIN	3-1/8"	3-1/4"	3-3/8"	3-5/8"	3-3/4"	4-1/16"	4-5/16"	4-5/8"	4-15/16"	-	-	-
3-1/2"	②PRE	3-3/8"	3-1/2"	3-5/8"	3-7/8"	4"	4-3/8"	4-5/8"	5"	5-3/8"	-	-	-
3-1/2"	③GU	4"	4-3/32"	4-1/4"	4-7/16"	4-9/16"	4-7/8"	5-1/2"	5-15/16"	6-3/8"	-	-	-
4"	①MIN	3-7/16"	3-9/16"	3-11/16"	3-15/16"	4-1/16"	4-3/8"	4-5/8"	4-15/16"	5-1/4"	5-9/16"	-	-
4"	②PRE	3-3/4"	3-7/8"	4"	4-1/4"	4-3/8"	4-3/4"	5"	5-3/4"	5-5/8"	6"	-	-
4"	③GU	4"	4-3/32"	4-1/4"	4-7/16"	4-9/16"	4-7/8"	5-1/2"	5-15/16"	6-3/8"	6-3/8"	-	-
5"	①MIN	4-1/8"	4-1/4"	4-3/8"	4-5/8"	4-3/4"	5"	5-1/4"	5-9/16"	5-7/8"	6-3/16"	6-3/16"	-
5"	②PRE	4-3/8"	4-1/2"	4-5/8"	4-7/8"	5"	5-3/8"	5-5/8"	6"	6-1/4"	6-5/8"	7-1/4"	-
6"	①MIN	4-3/4"	4-7/8"	5"	5-1/4"	5-3/8"	5-5/8"	5-7/8"	6-3/16"	6-1/2"	6-13/16"	7-7/16"	8-1/8"
6"	②PRE	5"	5-1/8"	5-1/4"	5-1/2"	5-5/8"	6"	6-1/4"	6-5/8"	7"	7-1/4"	8"	8-5/8"
LOCKNUT BUSHING CONDUIT		1-1/4"	1-1/8"	1-11/16"	2-3/16"	2-7/16"	3"	3-7/16"	4-3/16"	4-13/16"	5-3/8"	6-11/16"	7-15/16"
		1"	1-1/4"	1-1/2"	1-7/8"	2-1/8"	2-5/8"	3-3/16"	3-7/8"	4-7/16"	5"	6-1/4"	7-3/8"
		7/8"	1-1/16"	1-3/8"	1-11/16"	1-15/16"	2-3/8"	2-7/8"	3-1/2"	4"	4-1/2"	5-9/16"	6-5/8"

① Minimum spacing required to provide clearance over locknuts and bushings.

② Preferred more liberal spacings between centers of conduits to be used whenever possible.

③ GU- spacing required for "GU" Series unions.

④ Supplied by using a drilled and tapped conduit opening with "GUM" Series union.

⑤ Note: For metric conduit openings round up to the nearest NPT and use "GU" spacing.

