



Harsh & Hazardous

KILLARK

HKH Series HAZCON Controls

*for Harsh and Hazardous
Environments*



- ATEX IEC Ex Certified
- Materials: Antistatic Non-Metallic and 316 Stainless Steel
- LED Lamp Module IEC 12-254VAC, UL 12-250VAC
- UL 20A Switching Duty Contacts for Tungston Lighting Circuits & HP Rated
- Rugged Construction for Din Rail Mounted or Cover Mounted contacts



NON-METALLIC DIN RAIL MOUNT



Applications

- Hazardous and corrosive environments due to the presence of flammable gases or vapors, combustible dusts or ignitable fiber or flyings.
- Installations at petroleum refineries, chemical and petrochemical plants and other processing or storage facilities where similar hazards exist.
- Use in conjunction with motor starters or contactors for remote control of motors.

Materials

- Impact Resistant Non-Metallic PA6 Glass Reinforced Antistatic Material with f1 UV Protection against the most severe exposure to sunlight with a Flame Retardant rating of V-0.
- Silicone gasketing on all enclosures and operators throughout.
- Brass gland plates available for metric size applications of plastic enclosures.

Features

- Size 1 Control Stations available as 1a, 1b, & 1c as standard catalog number offerings for 1, 2 & 3 device openings and will accept 2-M20 entries in either end. Ammeters available in 1b & 1c. Size 2 Enclosures available as 2a & 2c for 2, 4 & 6 device entries in cover with ability to accept 2-M25 entries in either end.
- Operating Temperature of -50°C to +60°C
- Explosion Protected contact blocks 690VAC N.O. & N.C. capable of 20 Amps for Switching Duty and HP Ratings up to 1HP.
- LED Pilot Light modules for 12-250V AC/DC for UL applications. 12-254V AC/DC for IEC applications.
- Contacts & Pilot lights can be mounted inside enclosure on Din Rail or in cover to the actuator.
- Accessories available for Lockout/Tag Out functions made in 316 stainless steel.

Complies with RoHS, WEEE, ATEX, EMC and Low Voltage directives.





NON-METALLIC PANEL MOUNT

**Applications**

- Hazardous and corrosive environments due to the presence of flammable gases or vapors, combustible dusts or ignitable fiber or flyings.
- Installations at petroleum refineries, chemical and petrochemical plants and other processing or storage facilities where similar hazards exist.
- Use in conjunction with motor starters or contactors for remote control of motors.

Materials

- Impact Resistant Non-Metallic PA6 Glass Reinforced Antistatic Material with f1 UV Protection against the most severe exposure to sunlight with a Flame Retardant rating of V-0.
- Silicone gasketing on all enclosures and operators throughout.
- Brass gland plates available for metric size applications of plastic enclosures.

Features

- Size 1 Control Stations available as 1a, 1b, & 1c as standard catalog number offerings for 1, 2 & 3 device openings and will accept 2-M20 entries in either end. Ammeters available in 1b & 1c. Size 2 Enclosures available as 2a & 2c for 2, 4 & 6 device entries in cover with ability to accept 2-M25 entries in either end.
- Operating Temperature of -50°C to +60°C
- Explosion Protected contact blocks 690VAC N.O. & N.C. capable of 20 Amps for Switching Duty and HP Ratings up to 1HP.
- LED Pilot Light modules for 12-250V AC/DC for UL applications. 12-254V AC/DC for IEC applications.
- Contacts & Pilot lights can be mounted inside enclosure on Din Rail or in cover to the actuator.
- Accessories available for Lockout/Tag Out functions made in 316 stainless steel.

Complies with RoHS, WEEE, ATEX, EMC and Low Voltage directives.





HKH SERIES

KILLARK

STANDARD SIZE 1a NON-METALLIC CONFIGURATIONS



Momentary Push Button



Momentary & Maintained Mushroom P.B.



Pilot Light

ATEX/IECEX Certified

CE 0539 II 2 G Ex de IIC T4/T5/T6 Gb
 CE 0539 II 2 D Ex tb IIIC T4/T5/T6 Db IP66

DEMKO 15 ATEX 1405X

Ex de IIC T4/T5/T6 Gb

Ex tb IIIC T4/T5/T6 Db IP66

IECEX UL 15.0054X

Ambient Range: -50°C ≤ Ta ≤ 60°C

cULus Certified

Class I, Zone 1, AEx de IIC T4/T5/T6 Gb / Ex de IIC T4/T5/T6 Gb X

Zone 21, AEx tb IIIC T4/T5/T6 Db IP66 / Ex tb IIIC T4/T5/T6 Db IP66 X

Class I, Division 2, Groups A, B, C, D

Class II, Division 1, Groups E, F, G (Canada Only)

Class II, Division 2, Groups E, F, G

Class III

UL50, 50E, 508, UL60079-0, -1, -7, -31

Type 3, 4, 4X, 12, 13

Ambient Range: -50°C ≤ Ta ≤ 60°C



FEATURES-SPECIFICATIONS

HAZCON™

The control stations on this page are the most commonly used configurations of pilot lights and push buttons.

One entry listed is located at bottom.

HKH MOMENTARY SINGLE PUSH BUTTON							
CATALOG NUMBER		ENTRY SIZE	CONTACT ARRANGEMENT		CONTACT BLOCKS	BUTTON COLOR	LEGEND PLATE MARKING
DIN RAIL MOUNT	PANEL MOUNT		IEC	NEMA			
HKH1AND2P11K8	HKH1ANP2P11K8	3/4" NPT SS HUB			1 N.O. / 1 N.C.	GREEN: START/(I)/BLANK RED: STOP/(O)/BLANK BLACK: BLANK	NONE
HKH1ANDAP11	HKH1ANPAP11	M20 CLEARANCE HOLE					
SUPPLIED WITH 7 COLORED AND MARKED DISCS – SEE BUTTON COLOR							

HKH MOMENTARY SINGLE PUSH BUTTON - MUSHROOM							
CATALOG NUMBER		ENTRY SIZE	CONTACT ARRANGEMENT		CONTACT BLOCKS	BUTTON COLOR	LEGEND PLATE MARKING
DIN RAIL MOUNT	PANEL MOUNT		IEC	NEMA			
HKH1AND2M11BK8	HKH1ANP2M11BK8	3/4" NPT SS HUB			1 N.O. / 1 N.C.	RED	STOP
HKH1AND2M21AK8	HKH1ANP2M21AK8					GREEN	START
HKH1AND2M310K8	HKH1ANP2M310K8					BLACK	BLANK
HKH1ANDAM11B	HKH1ANPAM11B	M20 CLEARANCE HOLE			1 N.O. / 1 N.C.	RED	STOP
HKH1ANDAM21A	HKH1ANPAM21A					GREEN	START
HKH1ANDAM310	HKH1ANPAM310					BLACK	BLANK

HKH MAINTAINED SINGLE PUSH PULL BUTTON - MUSHROOM							
CATALOG NUMBER		ENTRY SIZE	CONTACT ARRANGEMENT		CONTACT BLOCKS	BUTTON COLOR	LEGEND PLATE MARKING
DIN RAIL MOUNT	PANEL MOUNT		IEC	NEMA			
HKH1AND2M41BK8	HKH1ANP2M41BK8	3/4" NPT SS HUB			1 N.O. / 1 N.C.	RED	STOP
HKH1AND2M51AK8	HKH1ANP2M51AK8					GREEN	START
HKH1AND2M610K8	HKH1ANP2M610K8					BLACK	BLANK
HKH1ANDAM41B	HKH1ANPAM41B	M20 CLEARANCE HOLE			1 N.O. / 1 N.C.	RED	STOP
HKH1ANDAM51A	HKH1ANPAM51A					GREEN	START
HKH1ANDAM610	HKH1ANPAM610					BLACK	BLANK

HKH SINGLE PILOT LIGHT								
3/4" NPT SS HUB SUPPLIED		M20 CLEARANCE HOLE SUPPLIED		CONTACT ARRANGEMENT		LAMP VOLTAGE	COLOR	LEGEND PLATE MARKING
DIN RAIL MOUNT	PANEL MOUNT	DIN RAIL MOUNT	PANEL MOUNT	IEC	NEMA			
HKH1AND2LRLOK8	HKH1ANP2LRLOK8	HKH1ANDALRLO	HKH1ANPALRLO			12V-254V AC/DC IEC EX 12V-250V AC/DC UL	RED LED	BLANK
HKH1AND2LGLOK8	HKH1ANP2LGLOK8	HKH1ANDALGLO	HKH1ANPALGLO				GREEN LED	
HKH1AND2LALOK8	HKH1ANP2LALOK8	HKH1ANDALALO	HKH1ANPALALO				AMBER LED	
HKH1AND2LCLKOK8	HKH1ANP2LCLKOK8	HKH1ANDALCLO	HKH1ANPALCLO				CLEAR LED	
HKH1AND2LBLOK8	HKH1ANP2LBLOK8	HKH1ANDALBLO	HKH1ANPALBLO				BLUE LED	

CONTROLS

HKH SERIES



STANDARD SIZE 1a NON-METALLIC CONFIGURATIONS



Maintained Mushroom P.B.
Pull Release



Maintained Mushroom P.B.
Twist Release



Double Momentary Push Button

ATEX/IECEX Certified

CE 0539 Ex II 2 G Ex de IIC T4/T5/T6 Gb
 CE 0539 Ex II 2 D Ex tb IIIC T4/T5/T6 Db IP66
 DEMKO 15 ATEX 1405X
 Ex de IIC T4/T5/T6 Gb
 Ex tb IIIC T4/T5/T6 Db IP66
 IECEX UL 15.0054X
 Ambient Range: -50°C ≤ Ta ≤ 60°C

cULus Certified

Class I, Zone 1, AEx de IIC T4/T5/T6 Gb / Ex de IIC T4/T5/T6 Gb X
 Zone 21, AEx tb IIIC T4/T5/T6 Db IP66 / Ex tb IIIC T4/T5/T6 Db IP66 X
 Class I, Division 2, Groups A, B, C, D
 Class II, Division 1, Groups E, F, G (Canada Only)
 Class II, Division 2, Groups E, F, G
 Class III
 UL50, 50E, 508, UL60079-0, -1, -7, -31
 Type 3, 4, 4X, 12, 13
 Ambient Range: -50°C ≤ Ta ≤ 60°C



FEATURES-SPECIFICATIONS

HAZCON™

The control stations on this page are the most commonly used configurations of mushroom push buttons and double push button.

One entry listed is located at bottom.

HKH MAINTAINED MUSHROOM STAY PUT E-STOP							
CATALOG NUMBER		ENTRY SIZE	CONTACT ARRANGEMENT		CONTACT BLOCKS	BUTTON COLOR	LEGEND PLATE MARKING
DIN RAIL MOUNT	PANEL MOUNT		IEC	NEMA			
HKH1AND2M41EK8 (PULL RELEASE)	HKH1ANP2M41EK8 (PULL RELEASE)	3/4" NPT SS HUB			1 N.O. / 1 N.C.	RED	EMERGENCY STOP
HKH1AND2M71EK8 (TWIST RELEASE)	HKH1ANP2M71EK8 (TWIST RELEASE)						
HKH1ANDAM41E (PULL RELEASE)	HKH1ANPAM41E (PULL RELEASE)	M20 CLEARANCE HOLE			1 N.O. / 1 N.C.	RED	EMERGENCY STOP
HKH1ANDAM71E (TWIST RELEASE)	HKH1ANPAM71E (TWIST RELEASE)						

HKH DOUBLE MOMENTARY PUSH BUTTON, 1 N.O. START/1 N.C. STOP							
CATALOG NUMBER		ENTRY SIZE	CONTACT ARRANGEMENT		CONTACT BLOCKS	BUTTON COLOR	LEGEND PLATE MARKING
DIN RAIL MOUNT	PANEL MOUNT		IEC	NEMA			
HKH1AND2P21K8		3/4" NPT SS HUB			1 N.O. / 1 N.C.	GREEN: START/(I)/BLANK	—
HKH1ANDAP21		M20 CLEARANCE HOLE			1 N.O. / 1 N.C.	RED: STOP/(O)/BLANK BLACK: BLANK	



HKH SERIES

KILLARK

STANDARD SIZE 1a NON-METALLIC CONFIGURATIONS



2 Position
Selector Switch Maint. & Mom.



3 Position
Selector Switch Maint. & Mom.

ATEX/IECEX Certified

CE 0539 II 2 G Ex de IIC T4/T5/T6 Gb
0539 II 2 D Ex tb IIIC T4/T5/T6 Db IP66

DEMKO 15 ATEX 1405X

Ex de IIC T4/T5/T6 Gb

Ex tb IIIC T4/T5/T6 Db IP66

IECEX UL 15.0054X

Ambient Range: -50°C ≤ Ta ≤ 60°C

cULus Certified

Class I, Zone 1, AEx de IIC T4/T5/T6 Gb / Ex de IIC T4/T5/T6 Gb X

Zone 21, AEx tb IIIC T4/T5/T6 Db IP66 / Ex tb IIIC T4/T5/T6 Db IP66 X

Class I, Division 2, Groups A, B, C, D

Class II, Division 1, Groups E, F, G (Canada Only)

Class II, Division 2, Groups E, F, G

Class III

UL50, 50E, 508, UL60079-0, -1, -7, -31

Type 3, 4, 4X, 12, 13

Ambient Range: -50°C ≤ Ta ≤ 60°C



FEATURES-SPECIFICATIONS

HAZCON™

The control stations on this page are the most commonly used configurations of rotary selector switches.

One entry listed is located at bottom.

HKH MAINTAINED 2-POSITION SELECTOR SWITCH						
CATALOG NUMBER		ENTRY SIZE	CONTACT ARRANGEMENT		CONTACT BLOCKS	LEGEND PLATE MARKING
DIN RAIL MOUNT	PANEL MOUNT		IEC	NEMA		
HKH1AND2S11SK8	HKH1ANP2S11SK8	3/4" NPT SS HUB		OFF ON	1 N.C. / 1 N.O.	OFF-ON
HKH1ANDAS11S	HKH1ANPAS11S	M20 CLEARANCE HOLE				
HKH 2-POSITION SELECTOR SWITCH SPRING RETURN, MOM. RIGHT, MAINT. LEFT						
CATALOG NUMBER		ENTRY SIZE	CONTACT ARRANGEMENT		CONTACT BLOCKS	LEGEND PLATE MARKING
DIN RAIL MOUNT	PANEL MOUNT		IEC	NEMA		
HKH1AND2S210K8	HKH1ANP2S210K8	3/4" NPT SS HUB			1 N.C. / 1 N.O.	BLANK
HKH1ANDAS210	HKH1ANPAS210	M20 CLEARANCE HOLE				
HKH MAINTAINED 3-POSITION SELECTOR SWITCH INDEPENDENT CAM						
CATALOG NUMBER		ENTRY SIZE	CONTACT ARRANGEMENT		CONTACT BLOCKS	LEGEND PLATE MARKING
DIN RAIL MOUNT	PANEL MOUNT		IEC	NEMA		
HKH1AND2S349K8	HKH1ANP2S349K8	3/4" NPT SS HUB		HAND OFF AUTO	2 N.O.	HAND-OFF-AUTO
HKH1ANDAS349	HKH1ANPAS349	M20 CLEARANCE HOLE				
HKH 3-POSITION SELECTOR SWITCH SPRING RETURN, MOM. LEFT & RIGHT, MAINT. CENTER						
CATALOG NUMBER		ENTRY SIZE	CONTACT ARRANGEMENT		CONTACT BLOCKS	LEGEND PLATE MARKING
DIN RAIL MOUNT	PANEL MOUNT		IEC	NEMA		
HKH1AND2S440K8	HKH1ANP2S440K8	3/4" NPT SS HUB			2 N.O.	BLANK
HKH1ANDAS440	HKH1ANPAS440	M20 CLEARANCE HOLE				
HKH 3-POSITION SELECTOR SWITCH SPRING RETURN, MOM. RIGHT, MAINT. CENTER & LEFT						
CATALOG NUMBER		ENTRY SIZE	CONTACT ARRANGEMENT		CONTACT BLOCKS	LEGEND PLATE MARKING
DIN RAIL MOUNT	PANEL MOUNT		IEC	NEMA		
HKH1AND2S540K8	HKH1ANP2S540K8	3/4" NPT SS HUB			2 N.O.	BLANK
HKH1ANDAS540	HKH1ANPAS540	M20 CLEARANCE HOLE				
HKH 3-POSITION SELECTOR SWITCH SPRING RETURN, MOM. LEFT, MAINT. CENTER & RIGHT						
CATALOG NUMBER		ENTRY SIZE	CONTACT ARRANGEMENT		CONTACT BLOCKS	LEGEND PLATE MARKING
DIN RAIL MOUNT	PANEL MOUNT		IEC	NEMA		
HKH1AND2S640K8	HKH1ANP2S640K8	3/4" NPT SS HUB			2 N.O.	BLANK
HKH1ANDAS640	HKH1ANPAS640	M20 CLEARANCE HOLE				

CONTROLS

HKH SERIES



STANDARD SIZE 1a NON-METALLIC CONFIGURATIONS



2 Position
Key Selector SWT Maint. & Mom.



3 Position
Key Selector SWT Maint. & Mom.

ATEX/IECEX Certified

CE 0539 Ex II 2 G Ex de IIC T4/T5/T6 Gb
 CE 0539 Ex II 2 D Ex tb IIIC T4/T5/T6 Db IP66
DEMKO 15 ATEX 1405X
 Ex de IIC T4/T5/T6 Gb
 Ex tb IIIC T4/T5/T6 Db IP66
 IECEX UL 15.0054X
 Ambient Range: -50°C ≤ Ta ≤ 60°C

cULus Certified

Class I, Zone 1, AEx de IIC T4/T5/T6 Gb / Ex de IIC T4/T5/T6 Gb X
 Zone 21, AEx tb IIIC T4/T5/T6 Db IP66 / Ex tb IIIC T4/T5/T6 Db IP66 X
 Class I, Division 2, Groups A, B, C, D
 Class II, Division 1, Groups E, F, G (Canada Only)
 Class II, Division 2, Groups E, F, G
 Class III
 UL50, 50E, 508, UL60079-0, -1, -7, -31
 Type 3, 4, 4X, 12, 13
 Ambient Range: -50°C ≤ Ta ≤ 60°C



FEATURES-SPECIFICATIONS

HAZCON™

The control stations on this page are the most commonly used configurations of keyed rotary selector switches.

One entry hole listed is located at bottom.

HKH MAINTAINED 2-POSITION KEYED SELECTOR SWITCH						
CATALOG NUMBER		ENTRY SIZE	CONTACT ARRANGEMENT		CONTACT BLOCKS	LEGEND PLATE MARKING
DIN RAIL MOUNT	PANEL MOUNT		IEC	NEMA		
HKH1AND2K11SK8	HKH1ANP2K11SK8	3/4" NPT SS HUB		OFF ON	1 N.C. / 1 N.O.	OFF-ON
HKH1ANDAK11S	HKH1ANPAK11S	M20 CLEARANCE HOLE				
HKH 2-POSITION KEYED SELECTOR SWITCH SPRING RETURN, MOM. RIGHT, MAINT. LEFT						
CATALOG NUMBER		ENTRY SIZE	CONTACT ARRANGEMENT		CONTACT BLOCKS	LEGEND PLATE MARKING
DIN RAIL MOUNT	PANEL MOUNT		IEC	NEMA		
HKH1AND2K210K8	HKH1ANP2K210K8	3/4" NPT SS HUB			1 N.C. / 1 N.O.	BLANK
HKH1ANDAK210	HKH1ANPAK210	M20 CLEARANCE HOLE				
HKH MAINTAINED 3-POSITION KEYED SELECTOR SWITCH INDEPENDENT CAM						
CATALOG NUMBER		ENTRY SIZE	CONTACT ARRANGEMENT		CONTACT BLOCKS	LEGEND PLATE MARKING
DIN RAIL MOUNT	PANEL MOUNT		IEC	NEMA		
HKH1AND2K349K8	HKH1ANP2K349K8	3/4" NPT SS HUB		HAND OFF AUTO	2 N.O.	HAND-OFF-AUTO
HKH1ANDAK349	HKH1ANPAK349	M20 CLEARANCE HOLE				
HKH 3-POSITION KEYED SELECTOR SWITCH SPRING RETURN, MOM. LEFT & RIGHT, MAINT. CENTER						
CATALOG NUMBER		ENTRY SIZE	CONTACT ARRANGEMENT		CONTACT BLOCKS	LEGEND PLATE MARKING
DIN RAIL MOUNT	PANEL MOUNT		IEC	NEMA		
HKH1AND2K440K8	HKH1ANP2K440K8	3/4" NPT SS HUB			2 N.O.	BLANK
HKH1ANDAK440	HKH1ANPAK440	M20 CLEARANCE HOLE				
HKH 3-POSITION KEYED SELECTOR SWITCH SPRING RETURN, MOM. RIGHT, MAINT. CENTER & LEFT						
CATALOG NUMBER		ENTRY SIZE	CONTACT ARRANGEMENT		CONTACT BLOCKS	LEGEND PLATE MARKING
DIN RAIL MOUNT	PANEL MOUNT		IEC	NEMA		
HKH1AND2K540K8	HKH1ANP2K540K8	3/4" NPT SS HUB			2 N.O.	BLANK
HKH1ANDAK540	HKH1ANPAK540	M20 CLEARANCE HOLE				
HKH 3-POSITION KEYED SELECTOR SWITCH SPRING RETURN, MOM. LEFT, MAINT. CENTER & RIGHT						
CATALOG NUMBER		ENTRY SIZE	CONTACT ARRANGEMENT		CONTACT BLOCKS	LEGEND PLATE MARKING
DIN RAIL MOUNT	PANEL MOUNT		IEC	NEMA		
HKH1AND2K640K8	HKH1ANP2K640K8	3/4" NPT SS HUB			2 N.O.	BLANK
HKH1ANDAK640	HKH1ANPAK640	M20 CLEARANCE HOLE				



HKH SERIES

KILLARK

STANDARD SIZE 1b NON-METALLIC CONFIGURATIONS



Momentary Push Button



Momentary Mushroom P.B.



Momentary Start-Stop Push Buttons



Pilot Light

ATEX/IECEX Certified

CE 0539 II 2 G Ex de IIC T4/T5/T6 Gb
 CE 0539 II 2 D Ex tb IIIC T4/T5/T6 Db IP66
 DEMKO 15 ATEX 1405X
 Ex de IIC T4/T5/T6 Gb
 Ex tb IIIC T4/T5/T6 Db IP66
 IECEx UL 15.0054X

Ambient Range: -50°C ≤ Ta ≤ 60°C

cULus Certified

Class I, Zone 1, AEx de IIC T4/T5/T6 Gb / Ex de IIC T4/T5/T6 Gb X
 Zone 21, AEx tb IIIC T4/T5/T6 Db IP66 / Ex tb IIIC T4/T5/T6 Db IP66 X
 Class I, Division 2, Groups A, B, C, D
 Class II, Division 1, Groups E, F, G (Canada Only)
 Class II, Division 2, Groups E, F, G
 Class III
 UL50, 50E, 508, UL60079-0, -1, -7, -31
 Type 3, 4, 4X, 12, 13
 Ambient Range: -50°C ≤ Ta ≤ 60°C



FEATURES-SPECIFICATIONS

HAZCON™

The control stations on this page are the most commonly used configurations, including combinations of pilot lights and push buttons.

One entry listed is located at bottom.

HKH MOMENTARY SINGLE PUSH BUTTON							
CATALOG NUMBER		ENTRY SIZE	CONTACT ARRANGEMENT		CONTACT BLOCKS	BUTTON COLOR	LEGEND PLATE MARKING
DIN RAIL MOUNT	PANEL MOUNT		IEC	NEMA			
HKH1BND2P11K8	HKH1BNP2P11K8	3/4" NPT SS HUB			1 N.O. / 1 N.C.	GREEN: START/(I)/BLANK RED: STOP/(O)/BLANK BLACK: BLANK	NONE
HKH1BNDAP11	HKH1BNPAP11	M20 CLEARANCE HOLE					
SUPPLIED WITH 7 COLORED AND MARKED DISCS – SEE BUTTON COLOR							

HKH MOMENTARY SINGLE PUSH BUTTON - MUSHROOM							
CATALOG NUMBER		ENTRY SIZE	CONTACT ARRANGEMENT		CONTACT BLOCKS	BUTTON COLOR	LEGEND PLATE MARKING
DIN RAIL MOUNT	PANEL MOUNT		IEC	NEMA			
HKH1BND2M11BK8	HKH1BNP2M11BK8	3/4" NPT SS HUB			1 N.O. / 1 N.C.	RED	STOP
HKH1BND2M21AK8	HKH1BNP2M21AK8					GREEN	START
HKH1BND2M31OK8	HKH1BNP2M31OK8					BLACK	BLANK
HKH1BNDAM11B	HKH1BNPAM11B	M20 CLEARANCE HOLE			1 N.O. / 1 N.C.	RED	STOP
HKH1BNDAM21A	HKH1BNPAM21A					GREEN	START
HKH1BNDAM310	HKH1BNPAM310					BLACK	BLANK

HKH DOUBLE MOMENTARY START-STOP PUSH BUTTONS							
CATALOG NUMBER		ENTRY SIZE	CONTACT ARRANGEMENT		CONTACT BLOCKS	BUTTON COLOR	LEGEND PLATE MARKING
DIN RAIL MOUNT	PANEL MOUNT		IEC	NEMA			
HKH1BND2P11P11K8	HKH1BNP2P11P11K8	3/4" NPT SS HUB			1 N.O. / 1 N.C.	GREEN, START, (I) RED, STOP, (O)	—
HKH1BNDAP11P11	HKH1BNPAP11P11	M20 CLEARANCE HOLE			1 N.O. / 1 N.C.		

HKH SINGLE PILOT LIGHT								
3/4" NPT SS HUB SUPPLIED		M20 CLEARANCE HOLE SUPPLIED		CONTACT ARRANGEMENT		LAMP VOLTAGE	COLOR	LEGEND PLATE MARKING
DIN RAIL MOUNT	PANEL MOUNT	DIN RAIL MOUNT	PANEL MOUNT	IEC	NEMA			
HKH1BND2LRL0K8	HKH1BNP2LRL0K8	HKH1BNDALRL0	HKH1BNPALRL0			12V-254V AC/DC IEC EX 12V-250V AC/DC UL	RED LED	BLANK
HKH1BND2LGL0K8	HKH1BNP2LGL0K8	HKH1BNDALGL0	HKH1BNPALGL0				GREEN LED	
HKH1BND2LAL0K8	HKH1BNP2LAL0K8	HKH1BNDALALO	HKH1BNPALALO				AMBER LED	
HKH1BND2LCL0K8	HKH1BNP2LCL0K8	HKH1BNDALCLO	HKH1BNPALCLO				CLEAR LED	
HKH1BND2LBL0K8	HKH1BNP2LBL0K8	HKH1BNDALBLO	HKH1BNPALBLO				BLUE LED	

CONTROLS

HKH SERIES



STANDARD SIZE 1b NON-METALLIC CONFIGURATIONS



Maintained Mushroom P.B.
Pull Release



Maintained Mushroom P.B.
Twist Release



Double Pilot Light



Pilot Light &
Double Momentary Push Button

ATEX/IECEX Certified

CE 0539 Ex II 2 G Ex de IIC T4/T5/T6 Gb
 CE 0539 Ex II 2 D Ex tb IIIC T4/T5/T6 Db IP66
DEMKO 15 ATEX 1405X
 Ex de IIC T4/T5/T6 Gb
 Ex tb IIIC T4/T5/T6 Db IP66
 IECEX UL 15.0054X
 Ambient Range: -50°C ≤ Ta ≤ 60°C

cULus Certified

Class I, Zone 1, AEx de IIC T4/T5/T6 Gb / Ex de IIC T4/T5/T6 Gb X
 Zone 21, AEx tb IIIC T4/T5/T6 Db IP66 / Ex tb IIIC T4/T5/T6 Db IP66 X
 Class I, Division 2, Groups A, B, C, D
 Class II, Division 1, Groups E, F, G (Canada Only)
 Class II, Division 2, Groups E, F, G
 Class III
 UL50, 50E, 508, UL60079-0, -1, -7, -31
 Type 3, 4, 4X, 12, 13
 Ambient Range: -50°C ≤ Ta ≤ 60°C



FEATURES-SPECIFICATIONS

HAZCON™

The control stations on this page are the most commonly used configurations, including combinations of pilot lights and push buttons.

One entry listed is located at bottom.

HKH MAINTAINED MUSHROOM STAY PUT E-STOP							
CATALOG NUMBER		ENTRY SIZE	CONTACT ARRANGEMENT		CONTACT BLOCKS	BUTTON COLOR	LEGEND PLATE MARKING
DIN RAIL MOUNT	PANEL MOUNT		IEC	NEMA			
HKH1BND2M41EK8 (PULL RELEASE)	HKH1BNP2M41EK8 (PULL RELEASE)	3/4" NPT SS HUB			1 N.O. / 1 N.C.	RED	EMERGENCY STOP
HKH1BND2M71EK8 (TWIST RELEASE)	HKH1BNP2M71EK8 (TWIST RELEASE)						
HKH1BNDAM41E (PULL RELEASE)	HKH1BNPAM41E (PULL RELEASE)	M20 CLEARANCE HOLE			1 N.O. / 1 N.C.	RED	EMERGENCY STOP
HKH1BNDAM71E (TWIST RELEASE)	HKH1BNPAM71E (TWIST RELEASE)						

HKH MAINTAINED SINGLE PUSH PULL BUTTON - MUSHROOM							
CATALOG NUMBER		ENTRY SIZE	CONTACT ARRANGEMENT		CONTACT BLOCKS	BUTTON COLOR	LEGEND PLATE MARKING
DIN RAIL MOUNT	PANEL MOUNT		IEC	NEMA			
HKH1BND2M41BK8	HKH1BNP2M41BK8	3/4" NPT SS HUB			1 N.O. / 1 N.C.	RED	STOP
HKH1BND2M51AK8	HKH1BNP2M51AK8					GREEN	START
HKH1BND2M61OK8	HKH1BNP2M61OK8					BLACK	BLANK
HKH1BNDAM41B	HKH1BNPAM41B	M20 CLEARANCE HOLE			1 N.O. / 1 N.C.	RED	STOP
HKH1BNDAM51A	HKH1BNPAM51A					GREEN	START
HKH1BNDAM610	HKH1BNPAM610					BLACK	BLANK

HKH DOUBLE PILOT LIGHT								
3/4" NPT SS HUB SUPPLIED		M20 CLEARANCE HOLE SUPPLIED		CONTACT ARRANGEMENT		LAMP VOLTAGE	COLOR	LEGEND PLATE MARKING
DIN RAIL MOUNT	PANEL MOUNT	DIN RAIL MOUNT	PANEL MOUNT	IEC	NEMA			
HKH1BND2LRL0LGL0K8	HKH1BNP2LRL0LGL0K8	HKH1BNDALRL0LGL0	HKH1BNPALRL0LGL0			12V-254V AC/DC IEC EX 12V-250V AC/DC UL	RED/GREEN	BLANK
HKH1BND2LRL0LRL0K8	HKH1BNP2LRL0LRL0K8	HKH1BNDALRL0LRL0	HKH1BNPALRL0LRL0				RED/RED	
HKH1BND2LGL0LGL0K8	HKH1BNP2LGL0LGL0K8	HKH1BNDALGL0LGL0	HKH1BNPALGL0LGL0			GREEN/GREEN		

HKH DOUBLE MOMENTARY PUSH BUTTON & PILOT LIGHT								
CATALOG NUMBER		ENTRY SIZE	CONTACT ARRANGEMENT		LAMP VOLTAGE	CONTACT BLOCKS	BUTTON COLOR	LEGEND PLATE MARKING
DIN RAIL MOUNT	PANEL MOUNT		IEC	NEMA				
HKH1BND2LRL0P21K8	HKH1BNP2LRL0P21K8	3/4" NPT SS HUB			12V-254V, AC/DC	1 N.O. 1 N.C.	GREEN, START, (I)	—
HKH1BNDALRL0P21	HKH1BNPALRL0P21	M20 CLEARANCE HOLE					RED, STOP, (O)	—



HKH SERIES

KILLARK

STANDARD SIZE 1b NON-METALLIC CONFIGURATIONS



**2 Position
Selector Switch
Maint. & Mom.**



**3 Position
Selector Switch
Maint. & Mom.**

FEATURES-SPECIFICATIONS

HAZCON™

The control stations on this page are the most commonly used configurations of rotary selector switches.

One entry listed is located at bottom.

ATEX/IECEX Certified

CE 0539 II 2 G Ex de IIC T4/T5/T6 Gb
0539 II 2 D Ex tb IIIC T4/T5/T6 Db IP66

DEMKO 15 ATEX 1405X

Ex de IIC T4/T5/T6 Gb

Ex tb IIIC T4/T5/T6 Db IP66

IECEX UL 15.0054X

Ambient Range: -50°C ≤ Ta ≤ 60°C

cULus Certified

Class I, Zone 1, AEx de IIC T4/T5/T6 Gb / Ex de IIC T4/T5/T6 Gb X

Zone 21, AEx tb IIIC T4/T5/T6 Db IP66 / Ex tb IIIC T4/T5/T6 Db IP66 X

Class I, Division 2, Groups A, B, C, D

Class II, Division 1, Groups E, F, G (Canada Only)

Class II, Division 2, Groups E, F, G

Class III

UL50, 50E, 508, UL60079-0, -1, -7, -31

Type 3, 4, 4X, 12, 13

Ambient Range: -50°C ≤ Ta ≤ 60°C



HKH MAINTAINED 2-POSITION SELECTOR SWITCH						
CATALOG NUMBER		ENTRY SIZE	CONTACT ARRANGEMENT		CONTACT BLOCKS	LEGEND PLATE MARKING
DIN RAIL MOUNT	PANEL MOUNT		IEC	NEMA		
HKH1BND2S11SK8	HKH1BNP2S11SK8	3/4" NPT SS HUB		OFF ON	1 N.C. / 1 N.O.	OFF-ON
HKH1BNDAS11S	HKH1BNPAS11S	M20 CLEARANCE HOLE				
HKH 2-POSITION SELECTOR SWITCH SPRING RETURN, MOM. RIGHT, MAINT. LEFT						
CATALOG NUMBER		ENTRY SIZE	CONTACT ARRANGEMENT		CONTACT BLOCKS	LEGEND PLATE MARKING
DIN RAIL MOUNT	PANEL MOUNT		IEC	NEMA		
HKH1BND2S210K8	HKH1BNP2S210K8	3/4" NPT SS HUB			1 N.C. / 1 N.O.	BLANK
HKH1BNDAS210	HKH1BNPAS210	M20 CLEARANCE HOLE				
HKH MAINTAINED 3-POSITION SELECTOR SWITCH INDEPENDENT CAM						
CATALOG NUMBER		ENTRY SIZE	CONTACT ARRANGEMENT		CONTACT BLOCKS	LEGEND PLATE MARKING
DIN RAIL MOUNT	PANEL MOUNT		IEC	NEMA		
HKH1BND2S349K8	HKH1BNP2S349K8	3/4" NPT SS HUB		HAND OFF AUTO	2 N.O.	HAND-OFF-AUTO
HKH1BNDAS349	HKH1BNPAS349	M20 CLEARANCE HOLE				
HKH 3-POSITION SELECTOR SWITCH SPRING RETURN, MOM. LEFT & RIGHT, MAINT. CENTER						
CATALOG NUMBER		ENTRY SIZE	CONTACT ARRANGEMENT		CONTACT BLOCKS	LEGEND PLATE MARKING
DIN RAIL MOUNT	PANEL MOUNT		IEC	NEMA		
HKH1BND2S440K8	HKH1BNP2S440K8	3/4" NPT SS HUB			2 N.O.	BLANK
HKH1BNDAS440	HKH1BNPAS440	M20 CLEARANCE HOLE				
HKH 3-POSITION SELECTOR SWITCH SPRING RETURN, MOM. RIGHT, MAINT. CENTER & LEFT						
CATALOG NUMBER		ENTRY SIZE	CONTACT ARRANGEMENT		CONTACT BLOCKS	LEGEND PLATE MARKING
DIN RAIL MOUNT	PANEL MOUNT		IEC	NEMA		
HKH1BND2S540K8	HKH1BNP2S540K8	3/4" NPT SS HUB			2 N.O.	BLANK
HKH1BNDAS540	HKH1BNPAS540	M20 CLEARANCE HOLE				
HKH 3-POSITION SELECTOR SWITCH SPRING RETURN, MOM. LEFT, MAINT. CENTER & RIGHT						
CATALOG NUMBER		ENTRY SIZE	CONTACT ARRANGEMENT		CONTACT BLOCKS	LEGEND PLATE MARKING
DIN RAIL MOUNT	PANEL MOUNT		IEC	NEMA		
HKH1BND2S640K8	HKH1BNP2S640K8	3/4" NPT SS HUB			2 N.O.	BLANK
HKH1BNDAS640	HKH1BNPAS640	M20 CLEARANCE HOLE				

CONTROLS

HKH SERIES



STANDARD SIZE 1b NON-METALLIC CONFIGURATIONS



2 Position
Key Selector SWT
Maint. & Mom.



3 Position
Key Selector SWT
Maint. & Mom.

ATEX/IECEX Certified

CE 0539 Ex II 2 G Ex de IIC T4/T5/T6 Gb
CE 0539 Ex II 2 D Ex tb IIIC T4/T5/T6 Db IP66

DEMKO 15 ATEX 1405X

Ex de IIC T4/T5/T6 Gb

Ex tb IIIC T4/T5/T6 Db IP66

IECEX UL 15.0054X

Ambient Range: -50°C ≤ Ta ≤ 60°C

cULus Certified

Class I, Zone 1, AEx de IIC T4/T5/T6 Gb / Ex de IIC T4/T5/T6 Gb X

Zone 21, AEx tb IIIC T4/T5/T6 Db IP66 / Ex tb IIIC T4/T5/T6 Db IP66 X

Class I, Division 2, Groups A, B, C, D

Class II, Division 1, Groups E, F, G (Canada Only)

Class II, Division 2, Groups E, F, G

Class III

UL50, 50E, 508, UL60079-0, -1, -7, -31

Type 3, 4, 4X, 12, 13

Ambient Range: -50°C ≤ Ta ≤ 60°C



FEATURES-SPECIFICATIONS

HAZCON™

The control stations on this page are the most commonly used configurations of keyed rotary selector switches.

One entry hole listed is located at bottom.

HKH MAINTAINED 2-POSITION KEYED SELECTOR SWITCH						
CATALOG NUMBER		ENTRY SIZE	CONTACT ARRANGEMENT		CONTACT BLOCKS	LEGEND PLATE MARKING
DIN RAIL MOUNT	PANEL MOUNT		IEC	NEMA		
HKH1BND2K11SK8	HKH1BNP2K11SK8	3/4" NPT SS HUB			1 N.C. / 1 N.O.	OFF-ON
HKH1BNDAK11S	HKH1BNPAK11S	M20 CLEARANCE HOLE				
HKH 2-POSITION KEYED SELECTOR SWITCH SPRING RETURN, MOM. RIGHT, MAINT. LEFT						
CATALOG NUMBER		ENTRY SIZE	CONTACT ARRANGEMENT		CONTACT BLOCKS	LEGEND PLATE MARKING
DIN RAIL MOUNT	PANEL MOUNT		IEC	NEMA		
HKH1BND2K210K8	HKH1BNP2K210K8	3/4" NPT SS HUB			1 N.C. / 1 N.O.	BLANK
HKH1BNDAK210	HKH1BNPAK210	M20 CLEARANCE HOLE				
HKH MAINTAINED 3-POSITION KEYED SELECTOR SWITCH INDEPENDENT CAM						
CATALOG NUMBER		ENTRY SIZE	CONTACT ARRANGEMENT		CONTACT BLOCKS	LEGEND PLATE MARKING
DIN RAIL MOUNT	PANEL MOUNT		IEC	NEMA		
HKH1BND2K349K8	HKH1BNP2K349K8	3/4" NPT SS HUB			2 N.O.	HAND-OFF-AUTO
HKH1BNDAK349	HKH1BNPAK349	M20 CLEARANCE HOLE				
HKH 3-POSITION KEYED SELECTOR SWITCH SPRING RETURN, MOM. LEFT & RIGHT, MAINT. CENTER						
CATALOG NUMBER		ENTRY SIZE	CONTACT ARRANGEMENT		CONTACT BLOCKS	LEGEND PLATE MARKING
DIN RAIL MOUNT	PANEL MOUNT		IEC	NEMA		
HKH1BND2K440K8	HKH1BNP2K440K8	3/4" NPT SS HUB			2 N.O.	BLANK
HKH1BNDAK440	HKH1BNPAK440	M20 CLEARANCE HOLE				
HKH 3-POSITION KEYED SELECTOR SWITCH SPRING RETURN, MOM. RIGHT, MAINT. CENTER & LEFT						
CATALOG NUMBER		ENTRY SIZE	CONTACT ARRANGEMENT		CONTACT BLOCKS	LEGEND PLATE MARKING
DIN RAIL MOUNT	PANEL MOUNT		IEC	NEMA		
HKH1BND2K540K8	HKH1BNP2K540K8	3/4" NPT SS HUB			2 N.O.	BLANK
HKH1BNDAK540	HKH1BNPAK540	M20 CLEARANCE HOLE				
HKH 3-POSITION KEYED SELECTOR SWITCH SPRING RETURN, MOM. LEFT, MAINT. CENTER & RIGHT						
CATALOG NUMBER		ENTRY SIZE	CONTACT ARRANGEMENT		CONTACT BLOCKS	LEGEND PLATE MARKING
DIN RAIL MOUNT	PANEL MOUNT		IEC	NEMA		
HKH1BND2K640K8	HKH1BNP2K640K8	3/4" NPT SS HUB			2 N.O.	BLANK
HKH1BNDAK640	HKH1BNPAK640	M20 CLEARANCE HOLE				



STANDARD SIZE 1c NON-METALLIC CONFIGURATIONS



ATEX/IECEX Certified

CE 0539 Ex II 2 G Ex de IIC T4/T5/T6 Gb
 CE 0539 Ex II 2 D Ex tb IIIC T4/T5/T6 Db IP66

DEMKO 15 ATEX 1405X

Ex de IIC T4/T5/T6 Gb

Ex tb IIIC T4/T5/T6 Db IP66

IECEX UL 15.0054X

Ambient Range: -50°C ≤ Ta ≤ 60°C

cULus Certified

Class I, Zone 1, AEx de IIC T4/T5/T6 Gb / Ex de IIC T4/T5/T6 Gb X

Zone 21, AEx tb IIIC T4/T5/T6 Db IP66 / Ex tb IIIC T4/T5/T6 Db IP66 X

Class I, Division 2, Groups A, B, C, D

Class II, Division 1, Groups E, F, G (Canada Only)

Class II, Division 2, Groups E, F, G

Class III

UL50, 50E, 508, UL60079-0, -1, -7, -31

Type 3, 4, 4X, 12, 13

Ambient Range: -50°C ≤ Ta ≤ 60°C



FEATURES-SPECIFICATIONS

HAZCON™

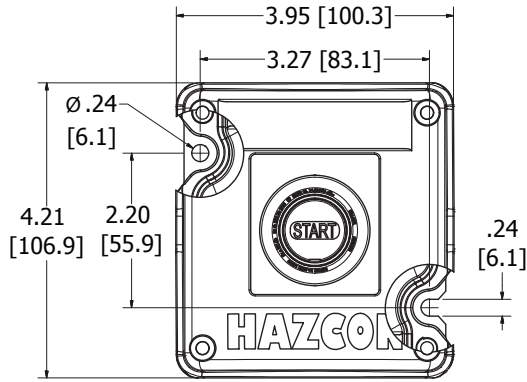
The control stations on this page are the most commonly used configurations, including combinations of pilot lights, push buttons, rotary selector switches and ammeter.

One entry hole listed is located at bottom.

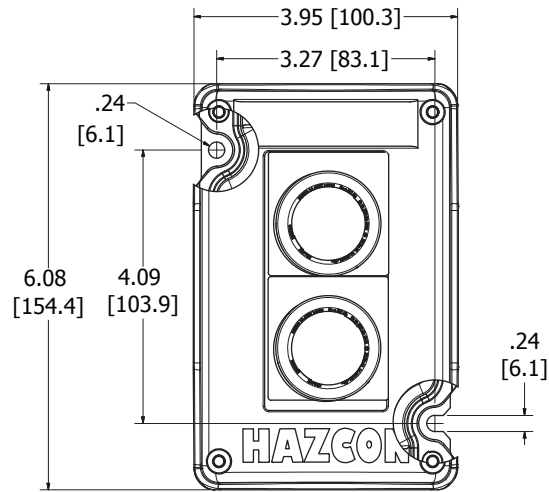
HKH RED PILOT LIGHT & TWO MOMENTARY PUSH BUTTONS								
CATALOG NUMBER		ENTRY SIZE	CONTACT ARRANGEMENT		LAMP VOLTAGE	CONTACT BLOCKS	BUTTON COLOR	LEGEND PLATE MARKING
DIN RAIL MOUNT	PANEL MOUNT		IEC	NEMA				
HKHMOD000001	HKHMOD000002	3/4" NPT SS HUB			12V-254V AC/DC IEC EX	1 N.C.	RED STOP (I)	BLANK
HKHMOD000003	HKHMOD000004	M20 CLEARANCE HOLE			12V-250V AC/DC UL	1 N.O.	GREEN START (O)	
HKH THREE MOMENTARY PUSH BUTTONS								
CATALOG NUMBER		ENTRY SIZE	CONTACT ARRANGEMENT		CONTACT BLOCKS	BUTTON COLOR	LEGEND PLATE MARKING	
DIN RAIL MOUNT	PANEL MOUNT		IEC	NEMA				
HKHMOD000005	HKHMOD000006	3/4" NPT SS HUB			1 N.O. / 1 N.C.	GREEN: START/(I)/BLANK	BLANK	
HKHMOD000007	HKHMOD000008	M20 CLEARANCE HOLE			1 N.O. / 1 N.C. 1 N.O. / 1 N.C.	RED: STOP/(O)/BLANK BLACK: BLANK		
HKH RED PILOT LIGHT, MUSHROOM MAINTAINED P.B., DOUBLE MOMENTARY P.B.								
CATALOG NUMBER		ENTRY SIZE	CONTACT ARRANGEMENT		LAMP VOLTAGE	BUTTON COLOR	LEGEND PLATE MARKING	
DIN RAIL MOUNT	PANEL MOUNT		IEC	NEMA				
HKHMOD000009 (PULL RELEASE)	HKHMOD000010 (PULL RELEASE)	3/4" NPT SS HUB			12V-254V AC/DC IEC EX	RED GREEN: START/(I)/BLANK RED: STOP/(O)/BLANK	BLANK EMERGENCY STOP	
HKHMOD000011 (TWIST RELEASE)	HKHMOD000012 (TWIST RELEASE)				12V-250V AC/DC UL			
HKHMOD000013 (PULL RELEASE)	HKHMOD000014 (PULL RELEASE)	M20 CLEARANCE HOLE			1 N.O. / 1 N.C.	1 N.O. / 1 N.C.		
HKHMOD000015 (TWIST RELEASE)	HKHMOD000016 (TWIST RELEASE)				1 N.O. / 1 N.C.			
HKH 72MM AMMETER & 2 POSITION MAINT. SELECTOR SWITCH								
CATALOG NUMBER		ENTRY SIZE	CONTACT ARRANGEMENT		CONTACT BLOCKS	BUTTON COLOR	LEGEND PLATE MARKING	
DIN RAIL MOUNT	PANEL MOUNT		IEC	NEMA				
HKHMOD000017	HKHMOD000018	3/4" NPT SS HUB			1 N.C. / 1 N.O.	—	BLANK	
HKHMOD000019	HKHMOD000020	M20 CLEARANCE HOLE						



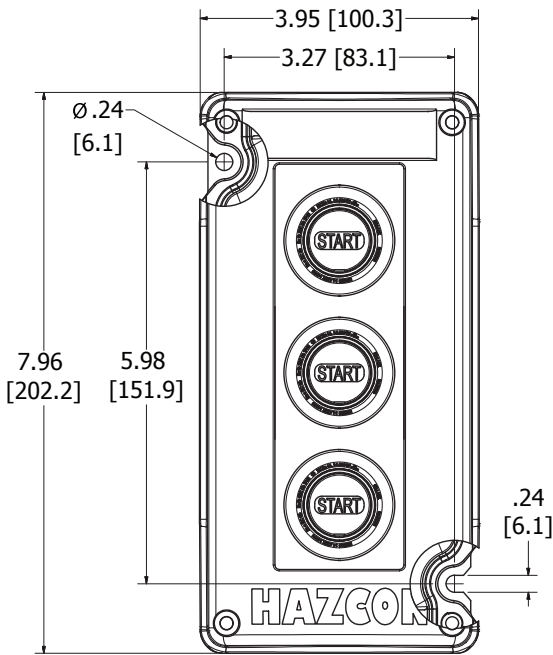
DIMENSIONAL DATA - SIZE 1 NON-METALLIC ENCLOSURES



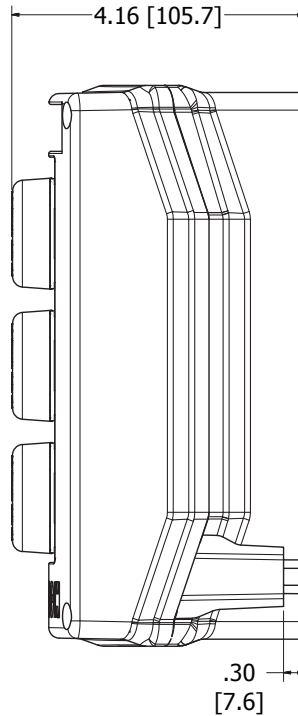
SIZE 1A



SIZE 1B



SIZE 1C



CLEARANCE HOLE FOR NPT FITTING	LOGIC CODE
1/2" TOP FEED	7
1/2" BOTTOM FEED	1
1/2" FEED THROUGH	4
3/4" TOP FEED	8
3/4" BOTTOM FEED	2
3/4" FEED THROUGH	5
CLEARANCE HOLE FOR METRIC FITTING	LOGIC CODE
M20 TOP FEED	C
M20 BOTTOM FEED	A
M20 FEED THROUGH	B
2 X M20 TOP FEED	F
2 X M20 BOTTOM FEED	D
M25 TOP FEED	J
M25 BOTTOM FEED	G
M25 FEED THROUGH	H



SIZE 2a & 2c NON-METALLIC



ATEX/IECEX Certified

CE 0539 II 2 G Ex de IIC T4/T5/T6 Gb
 CE 0539 II 2 D Ex tb IIIC T4/T5/T6 Db IP66

DEMKO 15 ATEX 1405X

Ex de IIC T4/T5/T6 Gb

Ex tb IIIC T4/T5/T6 Db IP66

IECEX UL 15.0054X

Ambient Range: -50°C ≤ Ta ≤ 60°C

cULus Certified

Class I, Zone 1, AEx de IIC T4/T5/T6 Gb / Ex de IIC T4/T5/T6 Gb X

Zone 21, AEx tb IIIC T4/T5/T6 Db IP66 / Ex tb IIIC T4/T5/T6 Db IP66 X

Class I, Division 2, Groups A, B, C, D

Class II, Division 1, Groups E, F, G (Canada Only)

Class II, Division 2, Groups E, F, G

Class III

UL50, 50E, 508, UL60079-0, -1, -7, -31

Type 3, 4, 4X, 12, 13

Ambient Range: -50°C ≤ Ta ≤ 60°C

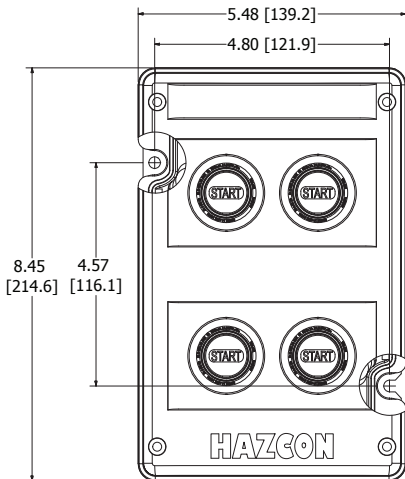


FEATURES-SPECIFICATIONS

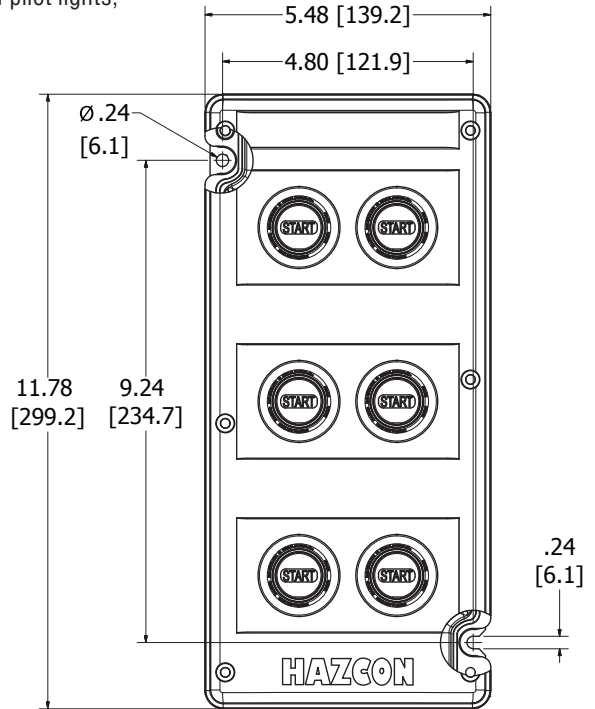
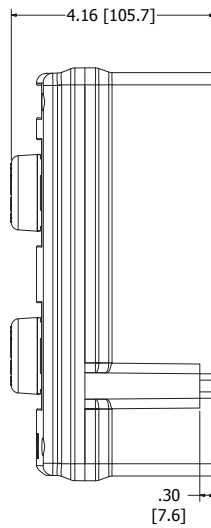
HAZCON™

Size 2a and 2c control stations can be factory ordered to include combinations of pilot lights, push buttons, rotary selector switches, ammeters and terminal blocks.

Entry holes can be located on all sides.



Size 2a



Size 2c

(Depth same as 2a)

Entry sizes available:

Clearance hole sizes for 1/2", 3/4" and 1" NPT

Clearance hole sizes for M20, M25 and M32

Drilled and tapped holes for M20, M25 and M32

CLEARANCE HOLE FOR NPT FITTING	LOGIC CODE
1/2" TOP FEED	7
1/2" BOTTOM FEED	1
1/2" FEED THROUGH	4
3/4" TOP FEED	8
3/4" BOTTOM FEED	2
3/4" FEED THROUGH	5
1" TOP FEED	9
1" BOTTOM FEED	3
1" FEED THROUGH	6

CLEARANCE HOLE FOR METRIC FITTING	LOGIC CODE
M20 TOP FEED	C
M20 BOTTOM FEED	A
M20 FEED THROUGH	B
2 X M20 TOP FEED	F
2 X M20 BOTTOM FEED	D
M25 TOP FEED	J
M25 BOTTOM FEED	G
M25 FEED THROUGH	H
2 X M25 BOTTOM FEED	K



SIZE 1 NON-METALLIC 2 POLE ROCKER SWITCH



ATEX/IECEX Certified

CE 0539 Ex II 2 G Ex de IIC T4 Gb
 CE 0539 Ex II 2 D Ex tb IIIC T4 Db IP66
 DEMKO 15 ATEX 1405X
 Ex de IIC Gb
 Ex tb IIIC Db IP66
 IECEX UL 15.0054X
 Ambient Range: -45°C ≤ Ta ≤ 60°C

cULus Certified

Class I, Zone 1, AEx de IIC Gb / Ex de IIC Gb X
 Zone 21, AEx tb IIIC Db IP66 / Ex tb IIIC Db IP66 X
 Class I, Division 2, Groups A, B, C, D
 Class II, Division 1, Groups E, F, G (Canada Only)
 Class II, Division 2, Groups E, F, G
 Class III
 UL50, 50E, 508, UL60079-0, -1, -7, -31
 Type 3, 4, 4X, 12, 13
 Ambient Range: -45°C ≤ Ta ≤ 60°C



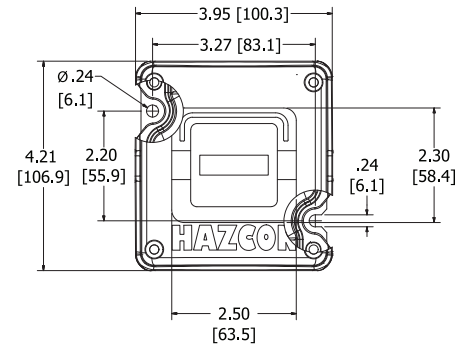
FEATURES-SPECIFICATIONS

HAZCON™

Rocker Switch Single Throw Double Pole
 Luminous fluorescent strip supplied for ease of locating.
 One entry listed is located at bottom.

Contact Block Features:

- **UL Electrical Rating:** 690Vac, 20A, 50-60Hz, 60Vdc, 5A, 110Vdc, 2A, 255Vdc, 1.5A, 1/2 HP @120Vac, 1 HP@208/240/277Vac, A600/P600- Pilot Duty 350Vac- Tungsten Lamp.
- **Wire Allowances:** WIRE RANGE with 1 or 2 WIRES: #22 to #12 AWG (SOL & STR) and #10 AWG (STR).
- **IEC Electrical Ratings:** AC690V 16A AC-12, 50-60 Hz, AC230V 16A AC-15, 50-60Hz, DC60V 5A DC-12, DC125 1A DC-12.
- **Wire Allowances:** WIRE RANGE with 1 or 2 WIRES: 0.5 to 2.5mm (SOL & STR) and 4.0mm² (STR)
- Silver Alloy contacts with Gold Flashing.



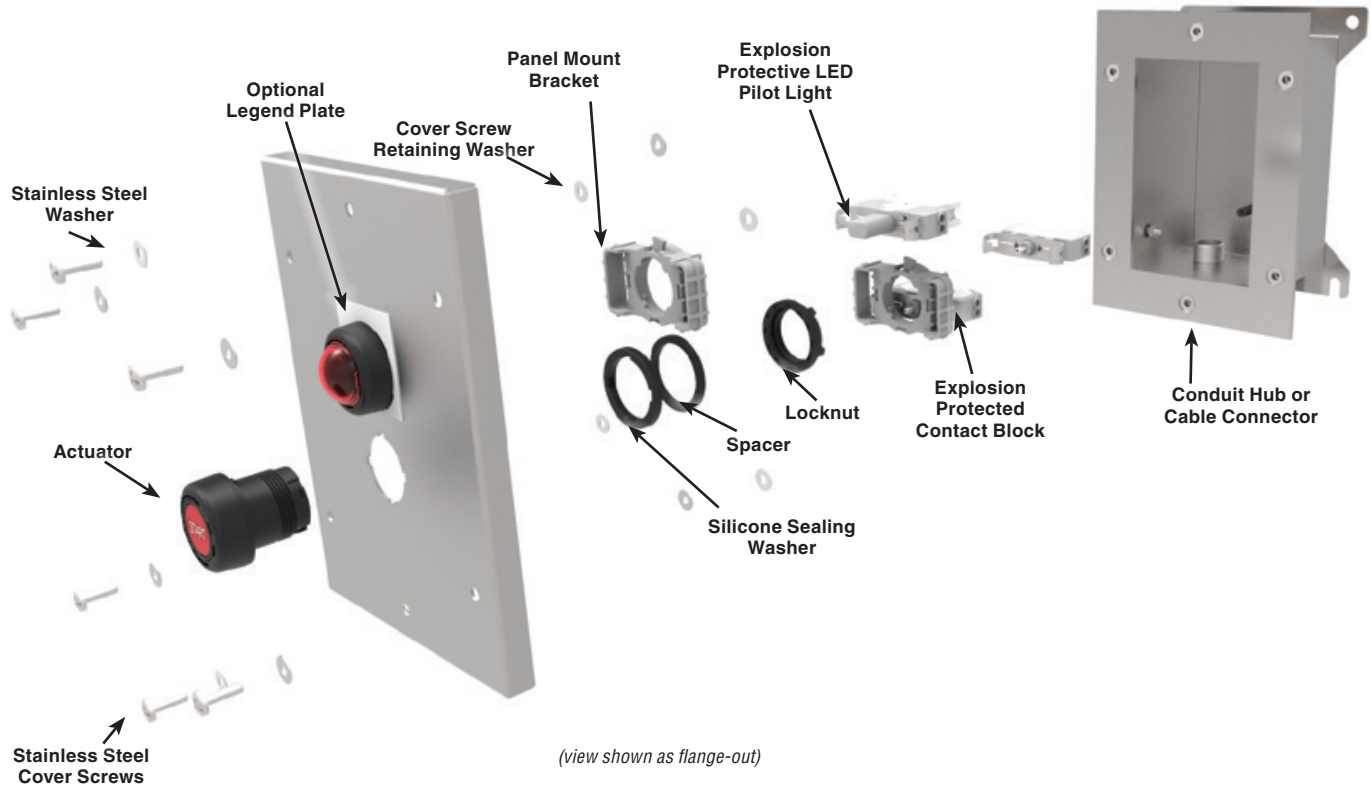
Enclosure depth 4.5" (114mm)

HKH ROCKER SWITCH MAINTAINED IN 2 POSITIONS				
CATALOG NUMBER DIN RAIL MOUNT	ENTRY SIZE	CONTACT ARRANGEMENT		CONTACT BLOCKS
		IEC	NEMA	
HKH1AND2RS4K8	3/4" NPT SS HUB			2 N.O.
HKH1ANDARS4	M20 CLEARANCE HOLE			

HKH ROCKER SWITCH MAINTAINED IN 2 POSITIONS				
CATALOG NUMBER DIN RAIL MOUNT	ENTRY SIZE	CONTACT ARRANGEMENT		CONTACT BLOCKS
		IEC	NEMA	
HKH1AND2RS1K8	3/4" NPT SS HUB			1 N.C. / 1 N.O.
HKH1ANDARS1	M20 CLEARANCE HOLE			



STAINLESS STEEL PANEL MOUNT



Applications

- Hazardous and corrosive environments due to the presence of flammable gases or vapors, combustible dusts or ignitable fiber or flyings.
- Installations at petroleum refineries, chemical and petrochemical plants and other processing or storage facilities where similar hazards exist.
- Use in conjunction with motor starters or contactors for remote control of motors.

Materials

- 316 Stainless Steel also available with a Standard internal flange and an external flange version when additional access is required.
- Silicone gasketing on all enclosures and operators throughout.

Features

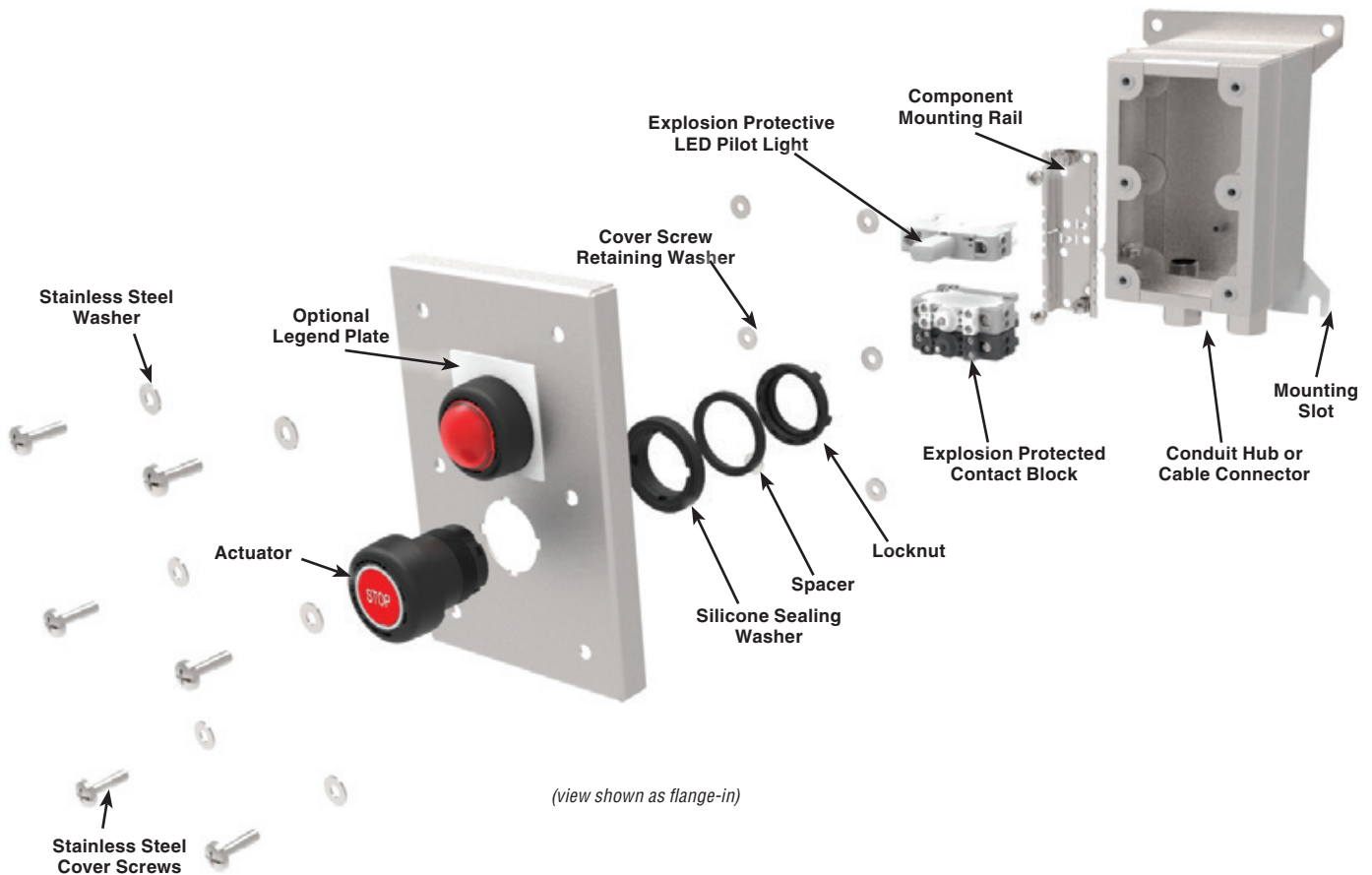
- Size 1 Control Stations available as 1a, 1b, & 1c as standard catalog number offerings for 1, 2 & 3 device openings and will accept 2-M20 entries in either end. Ammeters available in 1b & 1c. Size 2 Enclosures available as 2a & 2c for 2, 4 & 6 device entries in cover with ability to accept 2-M25 entries in either end.
- Operating Temperature of -50°C to +60°C
- Explosion Protected contact blocks 690VAC N.O. & N.C. capable of 20 Amps for Switching Duty and HP Ratings up to 1HP.
- LED Pilot Light modules for 12-250V AC/DC for UL applications. 12-254V AC/DC for IEC applications.
- Contacts & Pilot lights can be mounted inside enclosure on Din Rail or in cover to the actuator.
- Accessories available for Lockout/Tag Out functions made in 316 stainless steel.

Complies with RoHS, WEEE, ATEX, EMC and Low Voltage directives.





STAINLESS STEEL DIN RAIL MOUNT

**Applications**

- Hazardous and corrosive environments due to the presence of flammable gases or vapors, combustible dusts or ignitable fiber or flyings.
- Installations at petroleum refineries, chemical and petrochemical plants and other processing or storage facilities where similar hazards exist.
- Use in conjunction with motor starters or contactors for remote control of motors.

Complies with RoHS, WEEE, ATEX, EMC and Low Voltage directives.

**Materials**

- 316 Stainless Steel also available with a Standard internal flange and an external flange version when additional access is required.
- Silicone gasketing on all enclosures and operators throughout.

Features

- Size 1 Control Stations available as 1a, 1b, & 1c as standard catalog number offerings for 1, 2 & 3 device openings and will accept 2-M20 entries in either end. Ammeters available in 1b & 1c. Size 2 Enclosures available as 2a & 2c for 2, 4 & 6 device entries in cover with ability to accept 2-M25 entries in either end.
- Operating Temperature of -50°C to +60°C
- Explosion Protected contact blocks 690VAC N.O. & N.C. capable of 20 Amps for Switching Duty and HP Ratings up to 1HP.
- LED Pilot Light modules for 12-250V AC/DC for UL applications. 12-254V AC/DC for IEC applications.
- Contacts & Pilot lights can be mounted inside enclosure on Din Rail or in cover to the actuator.
- Accessories available for Lockout/Tag Out functions made in 316 stainless steel.



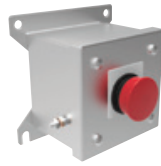
HKH SERIES

KILLARK

STANDARD SIZE 1a STAINLESS STEEL CONFIGURATIONS



Momentary Push Button



Momentary & Maintained Mushroom P.B.



Pilot Light

ATEX/IECEX Certified

CE 0539 II 2 G Ex de IIC T4/T5/T6 Gb
0539 II 2 D Ex tb IIIC T4/T5/T6 Db IP66

DEMKO 15 ATEX 1405X

Ex de IIC T4/T5/T6 Gb

Ex tb IIIC T4/T5/T6 Db IP66

IECEX UL 15.0054X

Ambient Range: -50°C ≤ Ta ≤ 60°C

cULus Certified

Class I, Zone 1, AEx de IIC T4/T5/T6 Gb / Ex de IIC T4/T5/T6 Gb X

Zone 21, AEx tb IIIC T4/T5/T6 Db IP66 / Ex tb IIIC T4/T5/T6 Db IP66 X

Class I, Division 2, Groups A, B, C, D

Class II, Division 1, Groups E, F, G (Canada Only)

Class II, Division 2, Groups E, F, G

Class III

UL50, 50E, 508, UL60079-0, -1, -7, -31

Type 3, 4, 4X, 12, 13

Ambient Range: -50°C ≤ Ta ≤ 60°C



FEATURES-SPECIFICATIONS

HAZCON™

The control stations on this page are the most commonly used configurations of pilot lights and push buttons.

One entry hole listed is located at bottom.

HKH MOMENTARY SINGLE PUSH BUTTON							
CATALOG NUMBER		ENTRY SIZE	CONTACT ARRANGEMENT		CONTACT BLOCKS	BUTTON COLOR	LEGEND PLATE MARKING
DIN RAIL MOUNT	PANEL MOUNT		IEC	NEMA			
HKH1ASD2P11K8	HKH1ASP2P11K8	3/4" NPT SS HUB			1 N.O. / 1 N.C.	GREEN: START/(I)/BLANK RED: STOP/(O)/BLANK BLACK: BLANK	NONE
HKH1ASDAP11	HKH1ASPAP11	M20 CLEARANCE HOLE					
SUPPLIED WITH 7 COLORED AND MARKED DISCS – SEE BUTTON COLOR							

HKH MOMENTARY SINGLE PUSH BUTTON - MUSHROOM							
CATALOG NUMBER		ENTRY SIZE	CONTACT ARRANGEMENT		CONTACT BLOCKS	BUTTON COLOR	LEGEND PLATE MARKING
DIN RAIL MOUNT	PANEL MOUNT		IEC	NEMA			
HKH1ASD2M11BK8	HKH1ASP2M11BK8	3/4" NPT SS HUB			1 N.O. / 1 N.C.	RED	STOP
HKH1ASD2M21AK8	HKH1ASP2M21AK8					GREEN	START
HKH1ASD2M310K8	HKH1ASP2M310K8					BLACK	BLANK
HKH1ASDAM11B	HKH1ASPAM11B	M20 CLEARANCE HOLE			1 N.O. / 1 N.C.	RED	STOP
HKH1ASDAM21A	HKH1ASPAM21A					GREEN	START
HKH1ASDAM310	HKH1ASPAM310					BLACK	BLANK

HKH MAINTAINED SINGLE PUSH PULL BUTTON - MUSHROOM							
CATALOG NUMBER		ENTRY SIZE	CONTACT ARRANGEMENT		CONTACT BLOCKS	BUTTON COLOR	LEGEND PLATE MARKING
DIN RAIL MOUNT	PANEL MOUNT		IEC	NEMA			
HKH1ASD2M41BK8	HKH1ASP2M41BK8	3/4" NPT SS HUB			1 N.O. / 1 N.C.	RED	STOP
HKH1ASD2M51AK8	HKH1ASP2M51AK8					GREEN	START
HKH1ASD2M610K8	HKH1ASP2M610K8					BLACK	BLANK
HKH1ASDAM41B	HKH1ASPAM41B	M20 CLEARANCE HOLE			1 N.O. / 1 N.C.	RED	STOP
HKH1ASDAM51A	HKH1ASPAM51A					GREEN	START
HKH1ASDAM610	HKH1ASPAM610					BLACK	BLANK

HKH SINGLE PILOT LIGHT								
3/4" NPT SS HUB SUPPLIED		M20 CLEARANCE HOLE SUPPLIED		CONTACT ARRANGEMENT		LAMP VOLTAGE	COLOR	LEGEND PLATE MARKING
DIN RAIL MOUNT	PANEL MOUNT	DIN RAIL MOUNT	PANEL MOUNT	IEC	NEMA			
HKH1ASD2LRL0K8	HKH1ASP2LRL0K8	HKH1ASDALRLO	HKH1ASPALRLO			12V-254V AC/DC IEC EX 12V-250V AC/DC UL	RED LED	BLANK
HKH1ASD2LGL0K8	HKH1ASP2LGL0K8	HKH1ASDALGLO	HKH1ASPALGLO					
HKH1ASD2LAL0K8	HKH1ASP2LAL0K8	HKH1ASDALALO	HKH1ASPALALO					
HKH1ASD2LCL0K8	HKH1ASP2LCL0K8	HKH1ASDALCLO	HKH1ASPALCLO					
HKH1ASD2LBL0K8	HKH1ASP2LBL0K8	HKH1ASDALBLO	HKH1ASPALBLO					
HKH1ASD2LRL0K8	HKH1ASP2LRL0K8	HKH1ASDALRLO	HKH1ASPALRLO					

CONTROLS

HKH SERIES



STANDARD SIZE 1a STAINLESS STEEL CONFIGURATIONS



Maintained
Mushroom P.B.
Pull Release



Maintained
Mushroom P.B.
Twist Release



Double
Momentary
Push Button

ATEX/IECEX Certified

CE 0539 Ex II 2 G Ex de IIC T4/T5/T6 Gb
 CE 0539 Ex II 2 D Ex tb IIIC T4/T5/T6 Db IP66
 DEMKO 15 ATEX 1405X
 Ex de IIC T4/T5/T6 Gb
 Ex tb IIIC T4/T5/T6 Db IP66
 IECEX UL 15.0054X
 Ambient Range: -50°C ≤ Ta ≤ 60°C

cULus Certified

Class I, Zone 1, AEx de IIC T4/T5/T6 Gb / Ex de IIC T4/T5/T6 Gb X
 Zone 21, AEx tb IIIC T4/T5/T6 Db IP66 / Ex tb IIIC T4/T5/T6 Db IP66 X
 Class I, Division 2, Groups A, B, C, D
 Class II, Division 1, Groups E, F, G (Canada Only)
 Class II, Division 2, Groups E, F, G
 Class III
 UL50, 50E, 508, UL60079-0, -1, -7, -31
 Type 3, 4, 4X, 12, 13
 Ambient Range: -50°C ≤ Ta ≤ 60°C



FEATURES-SPECIFICATIONS

HAZCON™

The control stations on this page are the most commonly used configurations of mushroom push buttons and double push button.

One entry listed is located at bottom.

HKH MAINTAINED MUSHROOM STAY PUT E-STOP							
CATALOG NUMBER		ENTRY SIZE	CONTACT ARRANGEMENT		CONTACT BLOCKS	BUTTON COLOR	LEGEND PLATE MARKING
DIN RAIL MOUNT	PANEL MOUNT		IEC	NEMA			
HKH1ASD2M41EK8 (PULL RELEASE)	HKH1ASP2M41EK8 (PULL RELEASE)	3/4" NPT SS HUB			1 N.O. / 1 N.C.	RED	EMERGENCY STOP
HKH1ASD2M71EK8 (TWIST RELEASE)	HKH1ASP2M71EK8 (TWIST RELEASE)						
HKH1ASDAM41E (PULL RELEASE)	HKH1ASPAM41E (PULL RELEASE)	M20 CLEARANCE HOLE			1 N.O. / 1 N.C.	RED	EMERGENCY STOP
HKH1ASDAM71E (TWIST RELEASE)	HKH1ASPAM71E (TWIST RELEASE)						

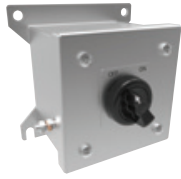
HKH DOUBLE MOMENTARY PUSH BUTTON, 1 N.O. START/1 N.C. STOP							
CATALOG NUMBER		ENTRY SIZE	CONTACT ARRANGEMENT		CONTACT BLOCKS	BUTTON COLOR	LEGEND PLATE MARKING
DIN RAIL MOUNT	PANEL MOUNT		IEC	NEMA			
HKH1ASD2P21K8		3/4" NPT SS HUB			1 N.O. / 1 N.C.	GREEN/ START/(I) RED/STOP/(O) BLACK	—
HKH1ASDAP21		M20 CLEARANCE HOLE					



HKH SERIES

KILLARK

STANDARD SIZE 1a STAINLESS STEEL CONFIGURATIONS



2 Position
Selector Switch Maint. & Mom.



3 Position
Selector Switch Maint. & Mom.

ATEX/IECEX Certified

CE 0539 II 2 G Ex de IIC T4/T5/T6 Gb
0539 II 2 D Ex tb IIIC T4/T5/T6 Db IP66

DEMKO 15 ATEX 1405X

Ex de IIC T4/T5/T6 Gb

Ex tb IIIC T4/T5/T6 Db IP66

IECEX UL 15.0054X

Ambient Range: -50°C ≤ Ta ≤ 60°C

cULus Certified

Class I, Zone 1, AEx de IIC T4/T5/T6 Gb / Ex de IIC T4/T5/T6 Gb X

Zone 21, AEx tb IIIC T4/T5/T6 Db IP66 / Ex tb IIIC T4/T5/T6 Db IP66 X

Class I, Division 2, Groups A, B, C, D

Class II, Division 1, Groups E, F, G (Canada Only)

Class II, Division 2, Groups E, F, G

Class III

UL50, 50E, 508, UL60079-0, -1, -7, -31

Type 3, 4, 4X, 12, 13

Ambient Range: -50°C ≤ Ta ≤ 60°C



FEATURES-SPECIFICATIONS

HAZCON™

The control stations on this page are the most commonly used configurations of rotary selector switches.

One entry hole listed is located at bottom.

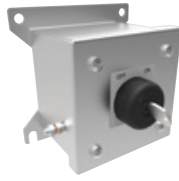
HKH MAINTAINED 2-POSITION SELECTOR SWITCH						
CATALOG NUMBER		ENTRY SIZE	CONTACT ARRANGEMENT		CONTACT BLOCKS	LEGEND PLATE MARKING
DIN RAIL MOUNT	PANEL MOUNT		IEC	NEMA		
HKH1ASD2S11SK8	HKH1ASP2S11SK8	3/4" NPT SS HUB		OFF ON 	1 N.C. / 1 N.O.	OFF-ON
HKH1ASDAS11S	HKH1ASPAS11S	M20 CLEARANCE HOLE				
HKH 2-POSITION SELECTOR SWITCH SPRING RETURN, MOM. RIGHT, MAINT. LEFT						
CATALOG NUMBER		ENTRY SIZE	CONTACT ARRANGEMENT		CONTACT BLOCKS	LEGEND PLATE MARKING
DIN RAIL MOUNT	PANEL MOUNT		IEC	NEMA		
HKH1ASD2S210K8	HKH1ASP2S210K8	3/4" NPT SS HUB			1 N.C. / 1 N.O.	BLANK
HKH1ASDAS210	HKH1ASPAS210	M20 CLEARANCE HOLE				
HKH MAINTAINED 3-POSITION SELECTOR SWITCH INDEPENDENT CAM						
CATALOG NUMBER		ENTRY SIZE	CONTACT ARRANGEMENT		CONTACT BLOCKS	LEGEND PLATE MARKING
DIN RAIL MOUNT	PANEL MOUNT		IEC	NEMA		
HKH1ASD2S349K8	HKH1ASP2S349K8	3/4" NPT SS HUB		HAND OFF AUTO 	2 N.O.	HAND-OFF-AUTO
HKH1ASDAS349	HKH1ASPAS349	M20 CLEARANCE HOLE				
HKH 3-POSITION SELECTOR SWITCH SPRING RETURN, MOM. LEFT & RIGHT, MAINT. CENTER						
CATALOG NUMBER		ENTRY SIZE	CONTACT ARRANGEMENT		CONTACT BLOCKS	LEGEND PLATE MARKING
DIN RAIL MOUNT	PANEL MOUNT		IEC	NEMA		
HKH1ASD2S440K8	HKH1ASP2S440K8	3/4" NPT SS HUB			2 N.O.	BLANK
HKH1ASDAS440	HKH1ASPAS440	M20 CLEARANCE HOLE				
HKH 3-POSITION SELECTOR SWITCH SPRING RETURN, MOM. RIGHT, MAINT. CENTER & LEFT						
CATALOG NUMBER		ENTRY SIZE	CONTACT ARRANGEMENT		CONTACT BLOCKS	LEGEND PLATE MARKING
DIN RAIL MOUNT	PANEL MOUNT		IEC	NEMA		
HKH1ASD2S540K8	HKH1ASP2S540K8	3/4" NPT SS HUB			2 N.O.	BLANK
HKH1ASDAS540	HKH1ASPAS540	M20 CLEARANCE HOLE				
HKH 3-POSITION SELECTOR SWITCH SPRING RETURN, MOM. LEFT, MAINT. CENTER & RIGHT						
CATALOG NUMBER		ENTRY SIZE	CONTACT ARRANGEMENT		CONTACT BLOCKS	LEGEND PLATE MARKING
DIN RAIL MOUNT	PANEL MOUNT		IEC	NEMA		
HKH1ASD2S640K8	HKH1ASP2S640K8	3/4" NPT SS HUB			2 N.O.	BLANK
HKH1ASDAS640	HKH1ASPAS640	M20 CLEARANCE HOLE				

CONTROLS

HKH SERIES



STANDARD SIZE 1a STAINLESS STEEL CONFIGURATIONS



2 Position
Key Selector SWT Maint. & Mom.



3 Position
Key Selector SWT Maint. & Mom.

ATEX/IECEX Certified

CE 0539 Ex II 2 G Ex de IIC T4/T5/T6 Gb
 CE 0539 Ex II 2 D Ex tb IIIC T4/T5/T6 Db IP66
DEMKO 15 ATEX 1405X
 Ex de IIC T4/T5/T6 Gb
 Ex tb IIIC T4/T5/T6 Db IP66
 IECEX UL 15.0054X
 Ambient Range: -50°C ≤ Ta ≤ 60°C

cULus Certified

Class I, Zone 1, AEx de IIC T4/T5/T6 Gb / Ex de IIC T4/T5/T6 Gb X
 Zone 21, AEx tb IIIC T4/T5/T6 Db IP66 / Ex tb IIIC T4/T5/T6 Db IP66 X
 Class I, Division 2, Groups A, B, C, D
 Class II, Division 1, Groups E, F, G (Canada Only)
 Class II, Division 2, Groups E, F, G
 Class III
 UL50, 50E, 508, UL60079-0, -1, -7, -31
 Type 3, 4, 4X, 12, 13
 Ambient Range: -50°C ≤ Ta ≤ 60°C



FEATURES-SPECIFICATIONS

HAZCON™

The control stations on this page are the most commonly used configurations of keyed rotary selector switches.

One entry hole listed is located at bottom.

HKH MAINTAINED 2-POSITION KEYED SELECTOR SWITCH						
CATALOG NUMBER		ENTRY SIZE	CONTACT ARRANGEMENT		CONTACT BLOCKS	LEGEND PLATE MARKING
DIN RAIL MOUNT	PANEL MOUNT		IEC	NEMA		
HKH1ASD2K11SK8	HKH1ASP2K11SK8	3/4" NPT SS HUB			1 N.C. / 1 N.O.	OFF-ON
HKH1ASDAK11S	HKH1ASPAK11S	M20 CLEARANCE HOLE				
HKH 2-POSITION KEYED SELECTOR SWITCH SPRING RETURN, MOM. RIGHT, MAINT. LEFT						
CATALOG NUMBER		ENTRY SIZE	CONTACT ARRANGEMENT		CONTACT BLOCKS	LEGEND PLATE MARKING
DIN RAIL MOUNT	PANEL MOUNT		IEC	NEMA		
HKH1ASD2K210K8	HKH1ASP2K210K8	3/4" NPT SS HUB			1 N.C. / 1 N.O.	BLANK
HKH1ASDAK210	HKH1ASPAK210	M20 CLEARANCE HOLE				
HKH MAINTAINED 3-POSITION KEYED SELECTOR SWITCH INDEPENDENT CAM						
CATALOG NUMBER		ENTRY SIZE	CONTACT ARRANGEMENT		CONTACT BLOCKS	LEGEND PLATE MARKING
DIN RAIL MOUNT	PANEL MOUNT		IEC	NEMA		
HKH1ASD2K349K8	HKH1ASP2K349K8	3/4" NPT SS HUB			2 N.O.	HAND-OFF-AUTO
HKH1ASDAK349	HKH1ASPAK349	M20 CLEARANCE HOLE				
HKH 3-POSITION KEYED SELECTOR SWITCH SPRING RETURN, MOM. LEFT & RIGHT, MAINT. CENTER						
CATALOG NUMBER		ENTRY SIZE	CONTACT ARRANGEMENT		CONTACT BLOCKS	LEGEND PLATE MARKING
DIN RAIL MOUNT	PANEL MOUNT		IEC	NEMA		
HKH1ASD2K440K8	HKH1ASP2K440K8	3/4" NPT SS HUB			2 N.O.	BLANK
HKH1ASDAK440	HKH1ASPAK440	M20 CLEARANCE HOLE				
HKH 3-POSITION KEYED SELECTOR SWITCH SPRING RETURN, MOM. RIGHT, MAINT. CENTER & LEFT						
CATALOG NUMBER		ENTRY SIZE	CONTACT ARRANGEMENT		CONTACT BLOCKS	LEGEND PLATE MARKING
DIN RAIL MOUNT	PANEL MOUNT		IEC	NEMA		
HKH1ASD2K540K8	HKH1ASP2K540K8	3/4" NPT SS HUB			2 N.O.	BLANK
HKH1ASDAK540	HKH1ASPAK540	M20 CLEARANCE HOLE				
HKH 3-POSITION KEYED SELECTOR SWITCH SPRING RETURN, MOM. LEFT, MAINT. CENTER & RIGHT						
CATALOG NUMBER		ENTRY SIZE	CONTACT ARRANGEMENT		CONTACT BLOCKS	LEGEND PLATE MARKING
DIN RAIL MOUNT	PANEL MOUNT		IEC	NEMA		
HKH1ASD2K640K8	HKH1ASP2K640K8	3/4" NPT SS HUB			2 N.O.	BLANK
HKH1ASDAK640	HKH1ASPAK640	M20 CLEARANCE HOLE				



STANDARD SIZE 1b STAINLESS STEEL CONFIGURATIONS*



Momentary Push Button



Momentary Mushroom P.B.



Momentary Start-Stop Push Buttons



Pilot Light

ATEX/IECEX Certified

CE 0539 II 2 G Ex de IIC T4/T5/T6 Gb
 CE 0539 II 2 D Ex tb IIIC T4/T5/T6 Db IP66
 DEMKO 15 ATEX 1405X
 Ex de IIC T4/T5/T6 Gb
 Ex tb IIIC T4/T5/T6 Db IP66
 IECEX UL 15.0054X
 Ambient Range: -50°C ≤ Ta ≤ 60°C

cULus Certified

Class I, Zone 1, AEx de IIC T4/T5/T6 Gb / Ex de IIC T4/T5/T6 Gb X
 Zone 21, AEx tb IIIC T4/T5/T6 Db IP66 / Ex tb IIIC T4/T5/T6 Db IP66 X
 Class I, Division 2, Groups A, B, C, D
 Class II, Division 1, Groups E, F, G (Canada Only)
 Class II, Division 2, Groups E, F, G
 Class III
 UL50, 50E, 508, UL60079-0, -1, -7, -13
 Type 3, 4, 4X, 12, 13
 Ambient Range: -50°C ≤ Ta ≤ 60°C



FEATURES-SPECIFICATIONS

HAZCON™

The control stations on this page are the most commonly used configurations, including combinations of pilot lights and push buttons.

One entry hole listed is located at bottom.

HKH MOMENTARY SINGLE PUSH BUTTON							
CATALOG NUMBER		ENTRY SIZE	CONTACT ARRANGEMENT		CONTACT BLOCKS	BUTTON COLOR	LEGEND PLATE MARKING
DIN RAIL MOUNT	PANEL MOUNT		IEC	NEMA			
HKH1BSD2P11K8	HKH1BSP2P11K8	3/4" NPT SS HUB			1 N.O. / 1 N.C.	GREEN: START/(I)/BLANK RED: STOP/(O)/BLANK BLACK: BLANK	NONE
HKH1BSDAP11	HKH1BSPAP11	M20 CLEARANCE HOLE					
SUPPLIED WITH 7 COLORED AND MARKED DISCS – SEE BUTTON COLOR							

HKH MOMENTARY SINGLE PUSH BUTTON - MUSHROOM							
CATALOG NUMBER		ENTRY SIZE	CONTACT ARRANGEMENT		CONTACT BLOCKS	BUTTON COLOR	LEGEND PLATE MARKING
DIN RAIL MOUNT	PANEL MOUNT		IEC	NEMA			
HKH1BSD2M11BK8	HKH1BSP2M11BK8	3/4" NPT SS HUB			1 N.O. / 1 N.C.	RED	STOP
HKH1BSD2M21AK8	HKH1BSP2M21AK8					GREEN	START
HKH1BSD2M310K8	HKH1BSP2M310K8					BLACK	BLANK
HKH1BSDAM11B	HKH1BSPAM11B	M20 CLEARANCE HOLE			1 N.O. / 1 N.C.	RED	STOP
HKH1BSDAM21A	HKH1BSPAM21A					GREEN	START
HKH1BSDAM310	HKH1BSPAM310					BLACK	BLANK

HKH DOUBLE MOMENTARY START-STOP PUSH BUTTONS							
CATALOG NUMBER		ENTRY SIZE	CONTACT ARRANGEMENT		CONTACT BLOCKS	BUTTON COLOR	LEGEND PLATE MARKING
DIN RAIL MOUNT	PANEL MOUNT		IEC	NEMA			
HKH1BSD2P11P11K8	HKH1BEP2P11P11K8	3/4" NPT SS HUB			1 N.O. / 1 N.C.	GREEN, START, (I) RED, STOP, (O)	—
HKH1BSDAP11P11	HKH1BEPAP11P11	M20 CLEARANCE HOLE			1 N.O. / 1 N.C.		

HKH SINGLE PILOT LIGHT								
3/4" NPT SS HUB SUPPLIED		M20 CLEARANCE HOLE SUPPLIED		CONTACT ARRANGEMENT		LAMP VOLTAGE	COLOR	LEGEND PLATE MARKING
DIN RAIL MOUNT	PANEL MOUNT	DIN RAIL MOUNT	PANEL MOUNT	IEC	NEMA			
HKH1BSD2LRLOK8	HKH1BSP2LRLOK8	HKH1BSDALRLO	HKH1BSPALRLO			12V-254V AC/DC IEC EX 12V-250V AC/DC UL	RED LED	BLANK
HKH1BSD2LGLOK8	HKH1BSP2LGLOK8	HKH1BSDALGLO	HKH1BSPALGLO					
HKH1BSD2LALOK8	HKH1BSP2LALOK8	HKH1BSDALALO	HKH1BSPALALO					
HKH1BSD2LCLKOK8	HKH1BSP2LCLKOK8	HKH1BSDALCLO	HKH1BSPALCLO					
HKH1BSD2LBLOK8	HKH1BSP2LBLOK8	HKH1BSDALBLO	HKH1BSPALBLO					

Ⓢ Din Rail mount assemblies supplied in Flange In type enclosures. (S) Panel mount assemblies supplied with Flange Out enclosures. (E)

CONTROLS

HKH SERIES



STANDARD SIZE 1b STAINLESS STEEL CONFIGURATIONS*



Maintained Mushroom P.B. Pull Release



Maintained Mushroom P.B. Twist Release



Double Pilot Light



Pilot Light & Double Momentary Push Button

ATEX/IECEX Certified

CE 0539 Ex II 2 G Ex de IIC T4/T5/T6 Gb
 CE 0539 Ex II 2 D Ex tb IIIC T4/T5/T6 Db IP66
 DEMKO 15 ATEX 1405X
 Ex de IIC T4/T5/T6 Gb
 Ex tb IIIC T4/T5/T6 Db IP66
 IECEX UL 15.0054X
 Ambient Range: -50°C ≤ Ta ≤ 60°C

cULus Certified

Class I, Zone 1, AEx de IIC T4/T5/T6 Gb / Ex de IIC T4/T5/T6 Gb X
 Zone 21, AEx tb IIIC T4/T5/T6 Db IP66 / Ex tb IIIC T4/T5/T6 Db IP66 X
 Class I, Division 2, Groups A, B, C, D
 Class II, Division 1, Groups E, F, G (Canada Only)
 Class II, Division 2, Groups E, F, G
 Class III
 UL50, 50E, 508, UL60079-0, -1, -7, -31
 Type 3, 4, 4X, 12, 13
 Ambient Range: -50°C ≤ Ta ≤ 60°C



FEATURES-SPECIFICATIONS

HAZCON™

The control stations on this page are the most commonly used configurations, including combinations of pilot lights and push buttons.

One entry listed is located at bottom.

HKH MAINTAINED MUSHROOM STAY PUT E-STOP								
CATALOG NUMBER		ENTRY SIZE	CONTACT ARRANGEMENT		CONTACT BLOCKS	BUTTON COLOR	LEGEND PLATE MARKING	
DIN RAIL MOUNT	PANEL MOUNT		IEC	NEMA				
HKH1BSD2M41EK8 (PULL RELEASE)	HKH1BSP2M41EK8 (PULL RELEASE)	3/4" NPT SS HUB			1 N.O. / 1 N.C.	RED	EMERGENCY STOP	
HKH1BSD2M71EK8 (TWIST RELEASE)	HKH1BSP2M71EK8 (TWIST RELEASE)							
HKH1BSDAM41E (PULL RELEASE)	HKH1BSPAM41E (PULL RELEASE)	M20 CLEARANCE HOLE			1 N.O. / 1 N.C.	RED	EMERGENCY STOP	
HKH1BSDAM71E (TWIST RELEASE)	HKH1BSPAM71E (TWIST RELEASE)							

HKH MAINTAINED SINGLE PUSH PULL BUTTON - MUSHROOM								
CATALOG NUMBER		ENTRY SIZE	CONTACT ARRANGEMENT		CONTACT BLOCKS	BUTTON COLOR	LEGEND PLATE MARKING	
DIN RAIL MOUNT	PANEL MOUNT		IEC	NEMA				
HKH1BSD2M41BK8	HKH1BSP2M41BK8	3/4" NPT SS HUB			1 N.O. / 1 N.C.	RED	STOP	
HKH1BSD2M51AK8	HKH1BSP2M51AK8					GREEN	START	
HKH1BSD2M610K8	HKH1BSP2M610K8					BLACK	BLANK	
HKH1BSDAM41B	HKH1BSPAM41B	M20 CLEARANCE HOLE			1 N.O. / 1 N.C.	RED	STOP	
HKH1BSDAM51A	HKH1BSPAM51A					GREEN	START	
HKH1BSDAM610	HKH1BSPAM610					BLACK	BLANK	

HKH DOUBLE PILOT LIGHT								
3/4" NPT SS HUB SUPPLIED		M20 CLEARANCE HOLE SUPPLIED		CONTACT ARRANGEMENT		LAMP VOLTAGE	COLOR	LEGEND PLATE MARKING
DIN RAIL MOUNT	PANEL MOUNT	DIN RAIL MOUNT	PANEL MOUNT	IEC	NEMA			
HKH1BSD2LRL0LGL0K8	HKH1BEP2LRL0LGL0K8	HKH1BSDALRL0LGL0	HKH1BEPALRL0LGL0			12V-254V AC/DC IEC EX 12V-250V AC/DC UL	RED/GREEN	BLANK
HKH1BSD2LRL0LR0K8	HKH1BEP2LRL0LR0K8	HKH1BSDALRL0LR0	HKH1BEPALRL0LR0				RED/RED	
HKH1BSD2LGL0LGL0K8	HKH1BEP2LGL0LGL0K8	HKH1BSDALGL0LGL0	HKH1BEPALGL0LGL0				GREEN/GREEN	

HKH DOUBLE MOMENTARY PUSH BUTTON & PILOT LIGHT								
CATALOG NUMBER		ENTRY SIZE	CONTACT ARRANGEMENT		LAMP VOLTAGE	CONTACT BLOCKS	BUTTON COLOR	LEGEND PLATE MARKING
DIN RAIL MOUNT	PANEL MOUNT		IEC	NEMA				
HKH1BSD2LRL0P21K8	HKH1BEP2LRL0P21K8	3/4" NPT SS HUB			12V-254V AC/DC IEC EX 12V-250V AC/DC UL	1 N.O. 1 N.C.	GREEN, START, (I)	—
HKH1BSDALRL0P21	HKH1BEPALRL0P21	M20 CLEARANCE HOLE					RED, STOP, (O)	—

* Din Rail mount assemblies supplied in Flange In type enclosures. (S) Panel mount assemblies supplied with Flange Out enclosures. (E)



HKH SERIES

KILLARK

STANDARD SIZE 1b STAINLESS STEEL CONFIGURATIONS



2 Position
Selector Switch
Maint. & Mom.



3 Position
Selector Switch
Maint. & Mom.

FEATURES-SPECIFICATIONS

HAZCON™

The control stations on this page are the most commonly used configurations of rotary selector switches.

One entry listed is located at bottom.

ATEX/IECEX Certified

CE 0539 II 2 G Ex de IIC T4/T5/T6 Gb
0539 II 2 D Ex tb IIIC T4/T5/T6 Db IP66

DEMKO 15 ATEX 1405X

Ex de IIC T4/T5/T6 Gb

Ex tb IIIC T4/T5/T6 Db IP66

IECEX UL 15.0054X

Ambient Range: -50°C ≤ Ta ≤ 60°C

cULus Certified

Class I, Zone 1, AEx de IIC T4/T5/T6 Gb / Ex de IIC T4/T5/T6 Gb X

Zone 21, AEx tb IIIC T4/T5/T6 Db IP66 / Ex tb IIIC T4/T5/T6 Db IP66 X

Class I, Division 2, Groups A, B, C, D

Class II, Division 1, Groups E, F, G (Canada Only)

Class II, Division 2, Groups E, F, G

Class III

UL50, 50E, 508, UL60079-0, -1, -7, -31

Type 3, 4, 4X, 12, 13

Ambient Range: -50°C ≤ Ta ≤ 60°C



HKH MAINTAINED 2-POSITION SELECTOR SWITCH						
CATALOG NUMBER		ENTRY SIZE	CONTACT ARRANGEMENT		CONTACT BLOCKS	LEGEND PLATE MARKING
DIN RAIL MOUNT	PANEL MOUNT		IEC	NEMA		
HKH1BSD2S11SK8	HKH1BSP2S11SK8	3/4" NPT SS HUB		OFF ON	1 N.C. / 1 N.O.	OFF-ON
HKH1BSDAS11S	HKH1BSPAS11S	M20 CLEARANCE HOLE				
HKH 2-POSITION SELECTOR SWITCH SPRING RETURN, MOM. RIGHT, MAINT. LEFT						
CATALOG NUMBER		ENTRY SIZE	CONTACT ARRANGEMENT		CONTACT BLOCKS	LEGEND PLATE MARKING
DIN RAIL MOUNT	PANEL MOUNT		IEC	NEMA		
HKH1BSD2S210K8	HKH1BSP2S210K8	3/4" NPT SS HUB			1 N.C. / 1 N.O.	BLANK
HKH1BSDAS210	HKH1BSPAS210	M20 CLEARANCE HOLE				
HKH MAINTAINED 3-POSITION SELECTOR SWITCH INDEPENDENT CAM						
CATALOG NUMBER		ENTRY SIZE	CONTACT ARRANGEMENT		CONTACT BLOCKS	LEGEND PLATE MARKING
DIN RAIL MOUNT	PANEL MOUNT		IEC	NEMA		
HKH1BSD2S349K8	HKH1BSP2S349K8	3/4" NPT SS HUB		HAND OFF AUTO	2 N.O.	HAND-OFF-AUTO
HKH1BSDAS349	HKH1BSPAS349	M20 CLEARANCE HOLE				
HKH 3-POSITION SELECTOR SWITCH SPRING RETURN, MOM. LEFT & RIGHT, MAINT. CENTER						
CATALOG NUMBER		ENTRY SIZE	CONTACT ARRANGEMENT		CONTACT BLOCKS	LEGEND PLATE MARKING
DIN RAIL MOUNT	PANEL MOUNT		IEC	NEMA		
HKH1BSD2S440K8	HKH1BSP2S440K8	3/4" NPT SS HUB			2 N.O.	BLANK
HKH1BSDAS440	HKH1BSPAS440	M20 CLEARANCE HOLE				
HKH 3-POSITION SELECTOR SWITCH SPRING RETURN, MOM. RIGHT, MAINT. CENTER & LEFT						
CATALOG NUMBER		ENTRY SIZE	CONTACT ARRANGEMENT		CONTACT BLOCKS	LEGEND PLATE MARKING
DIN RAIL MOUNT	PANEL MOUNT		IEC	NEMA		
HKH1BSD2S540K8	HKH1BSP2S540K8	3/4" NPT SS HUB			2 N.O.	BLANK
HKH1BSDAS540	HKH1BSPAS540	M20 CLEARANCE HOLE				
HKH 3-POSITION SELECTOR SWITCH SPRING RETURN, MOM. LEFT, MAINT. CENTER & RIGHT						
CATALOG NUMBER		ENTRY SIZE	CONTACT ARRANGEMENT		CONTACT BLOCKS	LEGEND PLATE MARKING
DIN RAIL MOUNT	PANEL MOUNT		IEC	NEMA		
HKH1BSD2S640K8	HKH1BSP2S640K8	3/4" NPT SS HUB			2 N.O.	BLANK
HKH1BSDAS640	HKH1BSPAS640	M20 CLEARANCE HOLE				

CONTROLS

HKH SERIES



STANDARD SIZE 1b STAINLESS STEEL CONFIGURATIONS



2 Position
Key Selector Swt
Maint. & Mom.



3 Position
Key Selector Swt
Maint. & Mom.

FEATURES-SPECIFICATIONS **HAZCON™**

The control stations on this page are the most commonly used configurations of keyed rotary selector switches.

One entry listed is located at bottom.

ATEX/IECEX Certified

CE 0539 II 2 G Ex de IIC T4/T5/T6 Gb
CE 0539 II 2 D Ex tb IIIC T4/T5/T6 Db IP66

DEMKO 15 ATEX 1405X

Ex de IIC T4/T5/T6 Gb

Ex tb IIIC T4/T5/T6 Db IP66

IECEX UL 15.0054X

Ambient Range: -50°C ≤ Ta ≤ 60°C

cULus Certified

Class I, Zone 1, AEx de IIC T4/T5/T6 Gb / Ex de IIC T4/T5/T6 Gb X

Zone 21, AEx tb IIIC T4/T5/T6 Db IP66 / Ex tb IIIC T4/T5/T6 Db IP66 X

Class I, Division 2, Groups A, B, C, D

Class II, Division 1, Groups E, F, G (Canada Only)

Class II, Division 2, Groups E, F, G

Class III

UL50, 50E, 508, UL60079-0, -1, -7, -31

Type 3, 4, 4X, 12, 13

Ambient Range: -50°C ≤ Ta ≤ 60°C



HKH MAINTAINED 2-POSITION KEYED SELECTOR SWITCH						
CATALOG NUMBER		ENTRY SIZE	CONTACT ARRANGEMENT		CONTACT BLOCKS	LEGEND PLATE MARKING
DIN RAIL MOUNT	PANEL MOUNT		IEC	NEMA		
HKH1BSD2K11SK8	HKH1BSP2K11SK8	3/4" NPT SS HUB			1 N.C. / 1 N.O.	OFF-ON
HKH1BSDAK11S	HKH1BSPAK11S	M20 CLEARANCE HOLE				
HKH 2-POSITION KEYED SELECTOR SWITCH SPRING RETURN, MOM. RIGHT, MAINT. LEFT						
CATALOG NUMBER		ENTRY SIZE	CONTACT ARRANGEMENT		CONTACT BLOCKS	LEGEND PLATE MARKING
DIN RAIL MOUNT	PANEL MOUNT		IEC	NEMA		
HKH1BSD2K210K8	HKH1BSP2K210K8	3/4" NPT SS HUB			1 N.C. / 1 N.O.	BLANK
HKH1BSDAK210	HKH1BSPAK210	M20 CLEARANCE HOLE				
HKH MAINTAINED 3-POSITION KEYED SELECTOR SWITCH INDEPENDENT CAM						
CATALOG NUMBER		ENTRY SIZE	CONTACT ARRANGEMENT		CONTACT BLOCKS	LEGEND PLATE MARKING
DIN RAIL MOUNT	PANEL MOUNT		IEC	NEMA		
HKH1BSD2K349K8	HKH1BSP2K349K8	3/4" NPT SS HUB			2 N.O.	HAND-OFF-AUTO
HKH1BSDAK349	HKH1BSPAK349	M20 CLEARANCE HOLE				
HKH 3-POSITION KEYED SELECTOR SWITCH SPRING RETURN, MOM. LEFT & RIGHT, MAINT. CENTER						
CATALOG NUMBER		ENTRY SIZE	CONTACT ARRANGEMENT		CONTACT BLOCKS	LEGEND PLATE MARKING
DIN RAIL MOUNT	PANEL MOUNT		IEC	NEMA		
HKH1BSD2K440K8	HKH1BSP2K440K8	3/4" NPT SS HUB			2 N.O.	BLANK
HKH1BSDAK440	HKH1BSPAK440	M20 CLEARANCE HOLE				
HKH 3-POSITION KEYED SELECTOR SWITCH SPRING RETURN, MOM. RIGHT, MAINT. CENTER & LEFT						
CATALOG NUMBER		ENTRY SIZE	CONTACT ARRANGEMENT		CONTACT BLOCKS	LEGEND PLATE MARKING
DIN RAIL MOUNT	PANEL MOUNT		IEC	NEMA		
HKH1BSD2K540K8	HKH1BSP2K540K8	3/4" NPT SS HUB			2 N.O.	BLANK
HKH1BSDAK540	HKH1BSPAK540	M20 CLEARANCE HOLE				
HKH 3-POSITION KEYED SELECTOR SWITCH SPRING RETURN, MOM. LEFT, MAINT. CENTER & RIGHT						
CATALOG NUMBER		ENTRY SIZE	CONTACT ARRANGEMENT		CONTACT BLOCKS	LEGEND PLATE MARKING
DIN RAIL MOUNT	PANEL MOUNT		IEC	NEMA		
HKH1BSD2K640K8	HKH1BSP2K640K8	3/4" NPT SS HUB			2 N.O.	BLANK
HKH1BSDAK640	HKH1BSPAK640	M20 CLEARANCE HOLE				



STANDARD SIZE 1c STAINLESS STEEL CONFIGURATIONS



ATEX/IECEX Certified

CE 0539 II 2 G Ex de IIC T4/T5/T6 Gb
0539 II 2 D Ex tb IIIC T4/T5/T6 Db IP66

DEMKO 15 ATEX 1405X

Ex de IIC T4/T5/T6 Gb

Ex tb IIIC T4/T5/T6 Db IP66

IECEX UL 15.0054X

Ambient Range: -50°C ≤ Ta ≤ 60°C

cULus Certified

Class I, Zone 1, AEx de IIC T4/T5/T6 Gb / Ex de IIC T4/T5/T6 Gb X

Zone 21, AEx tb IIIC T4/T5/T6 Db IP66 / Ex tb IIIC T4/T5/T6 Db IP66 X

Class I, Division 2, Groups A, B, C, D

Class II, Division 1, Groups E, F, G (Canada Only)

Class II, Division 2, Groups E, F, G

Class III

UL50, 50E, 508, UL60079-0, -1, -7, -31

Type 3, 4, 4X, 12, 13

Ambient Range: -50°C ≤ Ta ≤ 60°C



FEATURES-SPECIFICATIONS

HAZCON™

The control stations on this page are the most commonly used configurations, including combinations of pilot lights, push buttons, rotary selector switches and ammeters.

One entry hole listed is located at bottom.

HKH RED PILOT LIGHT & TWO MOMENTARY PUSH BUTTONS								
CATALOG NUMBER		ENTRY SIZE	CONTACT ARRANGEMENT		LAMP VOLTAGE	CONTACT BLOCKS	BUTTON COLOR	LEGEND PLATE MARKING
DIN RAIL MOUNT	PANEL MOUNT		IEC	NEMA				
HKHMOD000021	HKHMOD000022	3/4" NPT SS HUB			12V-254V AC/DC IEC EX	1 N.C.	RED STOP (I)	BLANK
HKHMOD000023	HKHMOD000024	M20 CLEARANCE HOLE			12V-250V AC/DC UL	1 N.O.	GREEN START (O)	

HKH THREE MOMENTARY PUSH BUTTONS							
CATALOG NUMBER		ENTRY SIZE	CONTACT ARRANGEMENT		CONTACT BLOCKS	BUTTON COLOR	LEGEND PLATE MARKING
DIN RAIL MOUNT	PANEL MOUNT		IEC	NEMA			
HKHMOD000025	HKHMOD000026	3/4" NPT SS HUB			1 N.O. / 1 N.C.	GREEN: START(I)/BLANK	BLANK
HKHMOD000027	HKHMOD000028	M20 CLEARANCE HOLE			1 N.O. / 1 N.C.	1 N.O. / 1 N.C.	

HKH RED PILOT LIGHT, MUSHROOM MAINTAINED P.B., DOUBLE MOMENTARY P.B.							
CATALOG NUMBER		ENTRY SIZE	CONTACT ARRANGEMENT		LAMP VOLTAGE	BUTTON COLOR	LEGEND PLATE MARKING
DIN RAIL MOUNT	PANEL MOUNT		IEC	NEMA			
HKHMOD000029 (PULL RELEASE)	HKHMOD000030 (PULL RELEASE)	3/4" NPT SS HUB			12V-254V AC/DC IEC EX	RED	BLANK
HKHMOD000031 (TWIST RELEASE)	HKHMOD000032 (TWIST RELEASE)				12V-250V AC/DC UL	1 N.O. / 1 N.C.	
HKHMOD000033 (PULL RELEASE)	HKHMOD000034 (PULL RELEASE)	M20 CLEARANCE HOLE			1 N.O. / 1 N.C.	RED: STOP(O)/BLANK	EMERGENCY STOP
HKHMOD000035 (TWIST RELEASE)	HKHMOD000036 (TWIST RELEASE)				1 N.O. / 1 N.C.	1 N.O. / 1 N.C.	

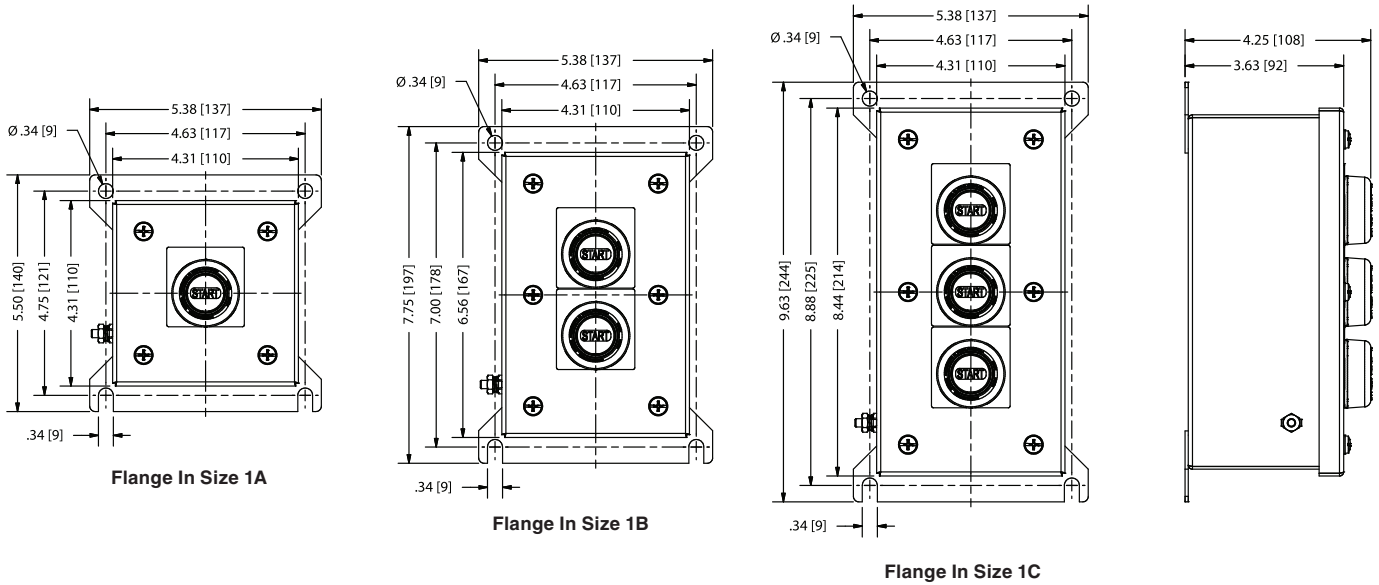
HKH 72MM AMMETER & 2 POSITION MAINT. SELECTOR SWITCH							
CATALOG NUMBER		ENTRY SIZE	CONTACT ARRANGEMENT		CONTACT BLOCKS	BUTTON COLOR	LEGEND PLATE MARKING
DIN RAIL MOUNT	PANEL MOUNT		IEC	NEMA			
HKHMOD000037	HKHMOD000038	3/4" NPT SS HUB			1 N.C. / 1 N.O.	—	BLANK
HKHMOD000039	HKHMOD000040	M20 CLEARANCE HOLE					

Ⓢ Din Rail mount assemblies supplied in Flange In type enclosures. Panel mount assemblies supplied with Flange Out enclosures.

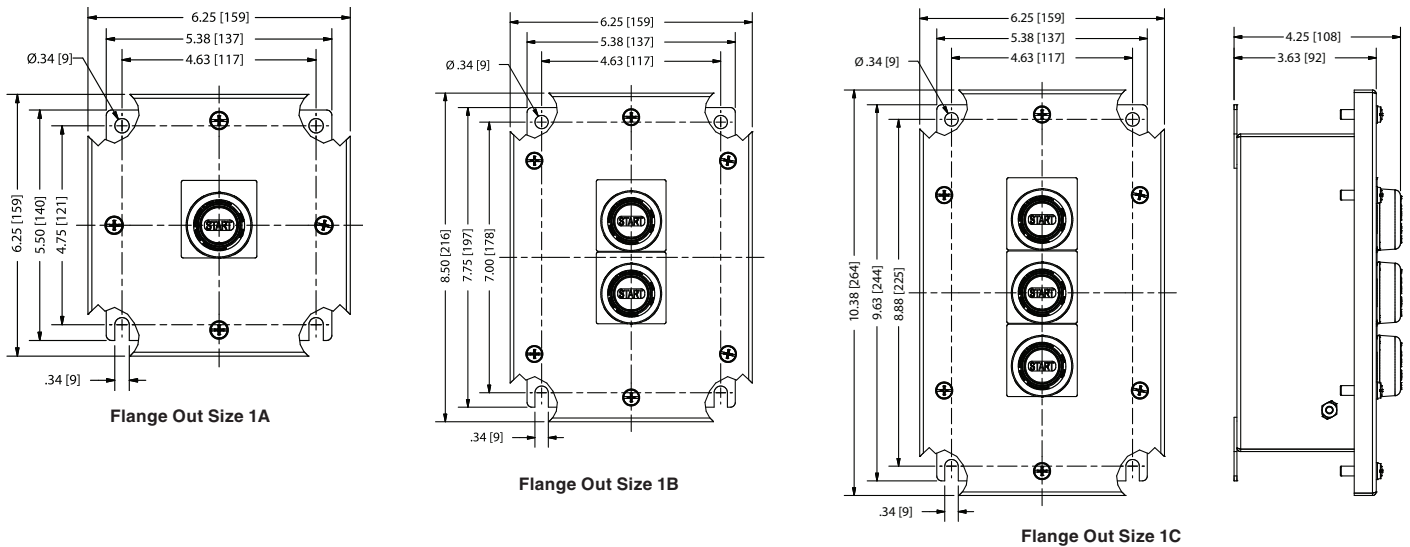
CONTROLS



DIMENSIONAL DATA - STAINLESS STEEL SIZE 1 FLANGE IN



DIMENSIONAL DATA - STAINLESS STEEL SIZE 1 FLANGE OUT



Entry sizes available:

Clearance hole sizes for 1/2" and 3/4"

Clearance hole sizes for M20, M25 and M32

Drilled and tapped holes for M20, M25 and M32

CLEARANCE HOLE FOR NPT FITTING	LOGIC CODE
1/2" TOP FEED	7
1/2" BOTTOM FEED	1
1/2" FEED THROUGH	4
3/4" TOP FEED	8
3/4" BOTTOM FEED	2
3/4" FEED THROUGH	5

CLEARANCE HOLE FOR METRIC FITTING	LOGIC CODE
M20 TOP FEED	C
M20 BOTTOM FEED	A
M20 FEED THROUGH	B
2 X M20 TOP FEED	F
2 X M20 BOTTOM FEED	D
M25 TOP FEED	J
M25 BOTTOM FEED	G
M25 FEED THROUGH	H



SIZE 2a & 2c STAINLESS STEEL FLANGE IN



ATEX/IECEX Certified

CE 0539 II 2 G Ex de IIC T4/T5/T6 Gb
 CE 0539 II 2 D Ex tb IIIC T4/T5/T6 Db IP66

DEMKO 15 ATEX 1405X

Ex de IIC T4/T5/T6 Gb

Ex tb IIIC T4/T5/T6 Db IP66

IECEX UL 15.0054X

Ambient Range: $-50^{\circ}\text{C} \leq \text{Ta} \leq 60^{\circ}\text{C}$

cULus Certified

Class I, Zone 1, AEx de IIC T4/T5/T6 Gb / Ex de IIC T4/T5/T6 Gb X

Zone 21, AEx tb IIIC T4/T5/T6 Db IP66 / Ex tb IIIC T4/T5/T6 Db IP66 X

Class I, Division 2, Groups A, B, C, D

Class II, Division 1, Groups E, F, G (Canada Only)

Class II, Division 2, Groups E, F, G

Class III

UL50, 50E, 508, UL60079-0, -1, -7, -31

Type 3, 4, 4X, 12, 13

Ambient Range: $-50^{\circ}\text{C} \leq \text{Ta} \leq 60^{\circ}\text{C}$

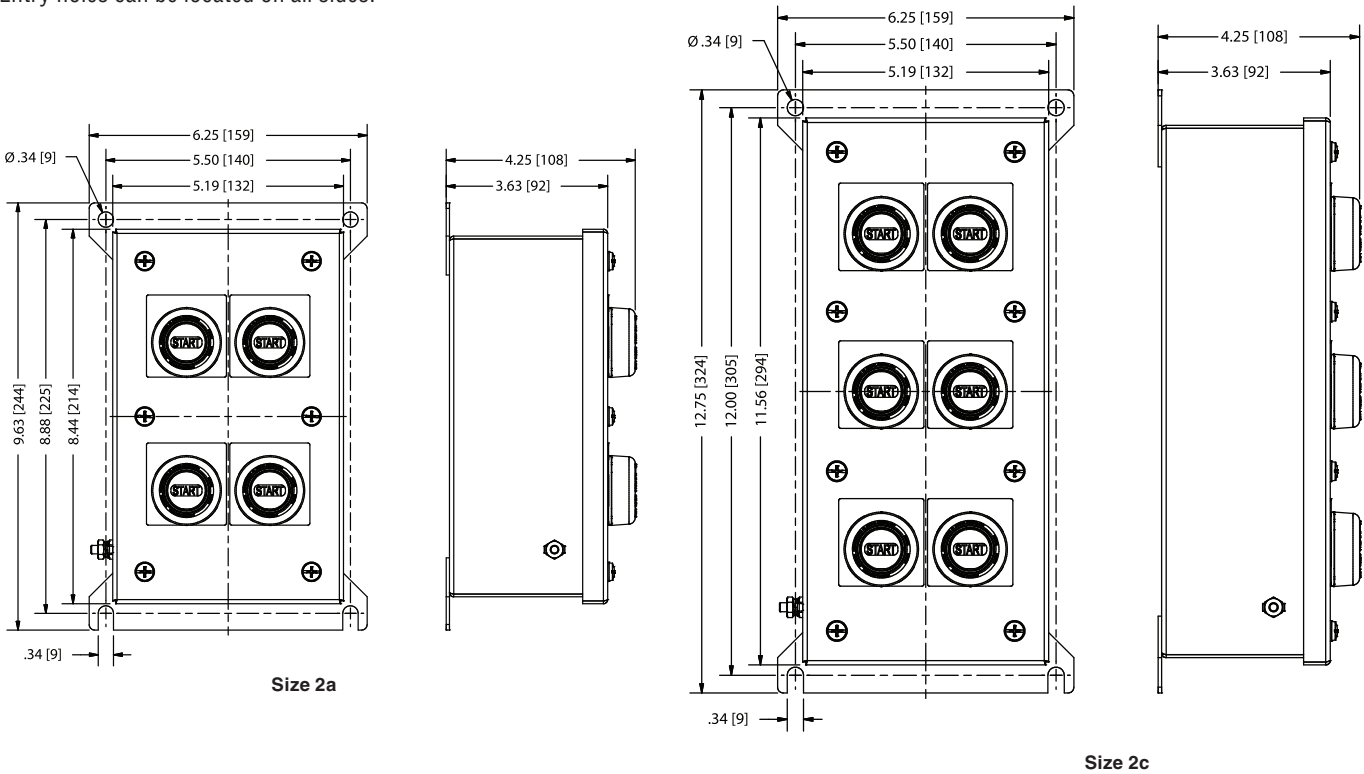


FEATURES-SPECIFICATIONS

HAZCON™

Size 2a and 2c control stations can be factory ordered to include combinations of pilot lights, push buttons, rotary selector switches, ammeters and terminal blocks.

Entry holes can be located on all sides.



Entry sizes available:

Clearance hole sizes for 1/2", 3/4" and 1" NPT

Clearance hole sizes for M20, M25 and M32

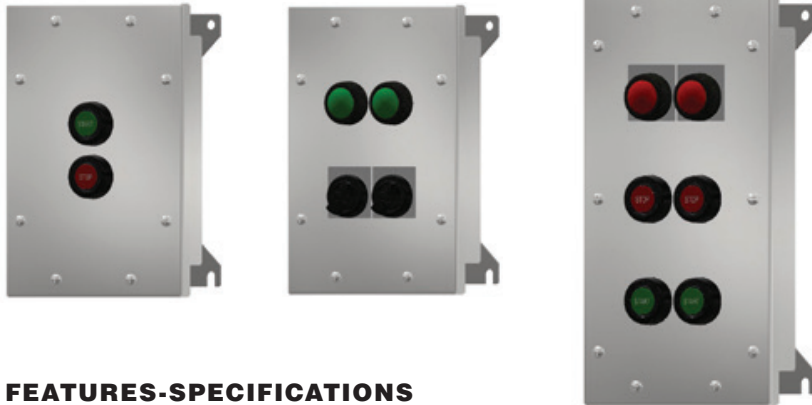
Drilled and tapped holes for M20, M25 and M32

CONTROLS

HKH SERIES



SIZE 2a & 2c STAINLESS STEEL FLANGE OUT



ATEX/IECEX Certified

CE 0539 Ex II 2 G Ex de IIC T4/T5/T6 Gb
 CE 0539 Ex II 2 D Ex tb IIIC T4/T5/T6 Db IP66
DEMKO 15 ATEX 1405X
 Ex de IIC T4/T5/T6 Gb
 Ex tb IIIC T4/T5/T6 Db IP66
 IECEX UL 15.0054X
 Ambient Range: -50°C ≤ Ta ≤ 60°C

cULus Certified

Class I, Zone 1, AEx de IIC T4/T5/T6 Gb / Ex de IIC T4/T5/T6 Gb X
 Zone 21, AEx tb IIIC T4/T5/T6 Db IP66 / Ex tb IIIC T4/T5/T6 Db IP66 X
 Class I, Division 2, Groups A, B, C, D
 Class II, Division 1, Groups E, F, G (Canada Only)
 Class II, Division 2, Groups E, F, G
 Class III
 UL50, 50E, 508, UL60079-0, -1, -7, -31
 Type 3, 4, 4X, 12, 13
 Ambient Range: -50°C ≤ Ta ≤ 60°C

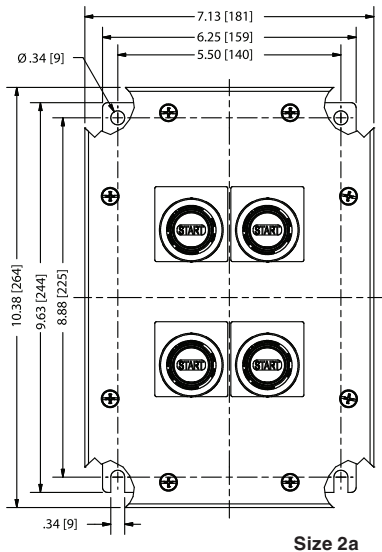


FEATURES-SPECIFICATIONS

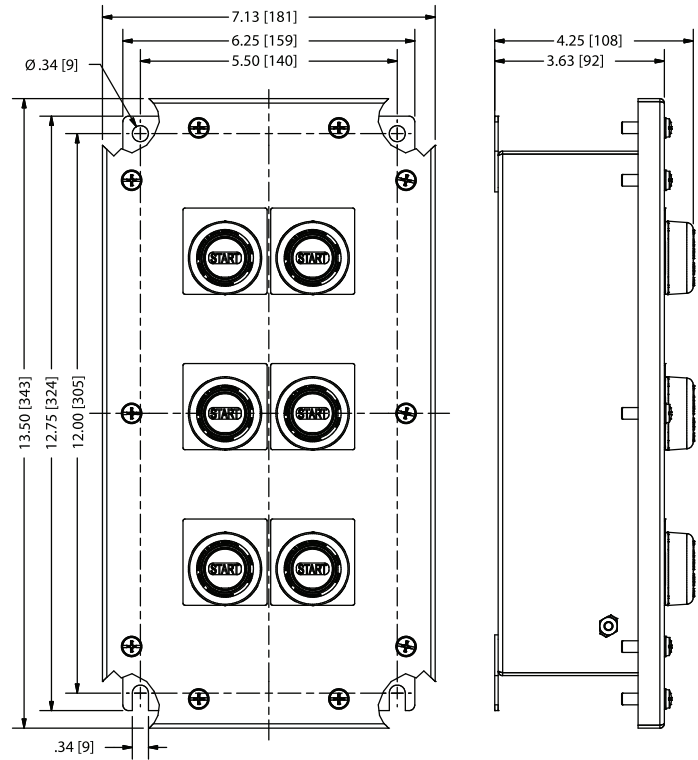
HAZCON™

Size 2a and 2c control stations can be factory ordered to include combinations of pilot lights, push buttons, rotary selector switches, ammeters and terminal blocks.

Entry holes can be located on all sides.



Size 2a



Size 2c

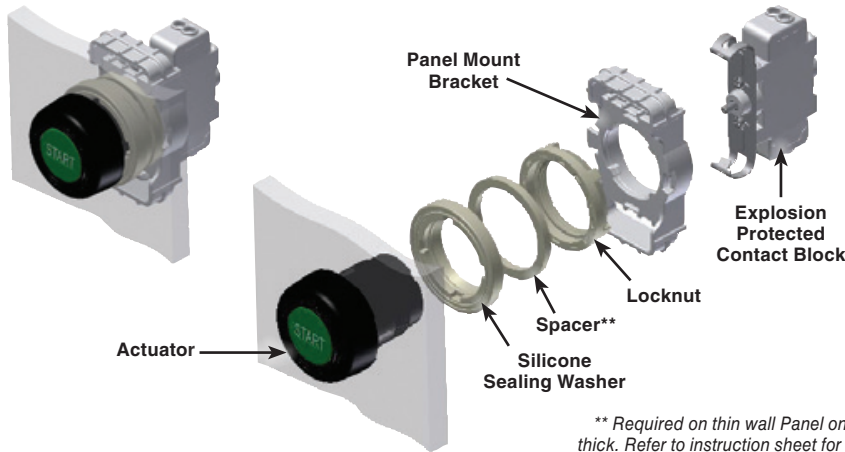
Entry sizes available:
 Clearance hole sizes for 1/2", 3/4" and 1" NPT
 Clearance hole sizes for M20, M25 and M32
 Drilled and tapped holes for M20, M25 and M32

CLEARANCE HOLE FOR NPT FITTING	LOGIC CODE
1/2" TOP FEED	7
1/2" BOTTOM FEED	1
1/2" FEED THROUGH	4
3/4" TOP FEED	8
3/4" BOTTOM FEED	2
3/4" FEED THROUGH	5
1" TOP FEED	9
1" BOTTOM FEED	3
1" FEED THROUGH	6

CLEARANCE HOLE FOR METRIC FITTING	LOGIC CODE
M20 TOP FEED	C
M20 BOTTOM FEED	A
M20 FEED THROUGH	B
2 X M20 TOP FEED	F
2 X M20 BOTTOM FEED	D
M25 TOP FEED	J
M25 BOTTOM FEED	G
M25 FEED THROUGH	H
2 X M25 BOTTOM FEED	K



ACTUATOR ASSEMBLIES FOR PANEL MOUNT APPLICATIONS



ATEX/IECEx Certified

0539 Ⓜ II 2 G Ex e IIC Gb
 0539 Ⓜ II 2 D Ex tb IIIC Db
IP66
 -50°C ≤ Ta ≤ 60°C
DEMKO 14 ATEX 1400U
 Ex e IIC Gb
 Ex tb IIIC Db
 -50°C ≤ Ta ≤ +60°C
IECEx UL 14.0104U

cULus Certified cULus LISTED

Class I, Zone 1, AEx e IIC Gb / Ex e IIC Gb U
 Zone 21, AEx tb IIIC Db / Ex tb IIIC Db U
 Class I, Division 2, Groups A, B, C, D
 Class II, Div. 1, Groups E, F, G (Canada)
 Class II, Division 2, Groups E, F, G
 Class III
 -50°C ≤ Ta ≤ +60°C
Type 3/4/4X/12/13 IP66

** Required on thin wall Panel only < .16" thick. Refer to instruction sheet for actuator

FEATURES-SPECIFICATIONS

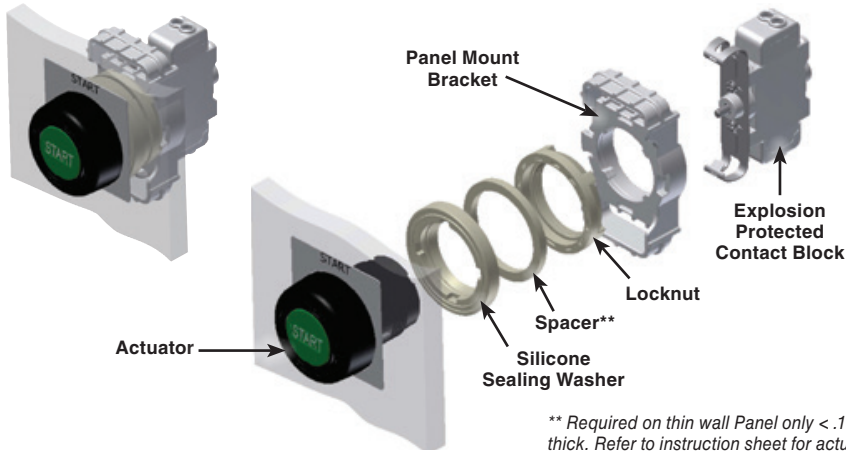
HAZCON™

Complete actuator catalog numbers with contacts for mounting to your panel with cover thickness from 0.04" to 0.25".

MOMENTARY START/STOP PUSH BUTTONS	
BASIC CATALOG NUMBERS	DESCRIPTION
HKHPBMSS1	MOMENTARY PUSH BUTTON WITH 1 N.O. & 1 N.C. CONTACT – INCLUDES GRN START, GRN (I), RED STOP & RED O, GREEN, RED & BLACK BLANK DISC 7 HKHPMBRKT
MOMENTARY MUSHROOM HEAD PUSH BUTTONS	
HKHPBMMR1	MOMENTARY MUSHROOM PB, RED WITH 1 N.O. & 1 N.C. CONTACT & HKHPMBRKT
HKHPBMMB1	MOMENTARY MUSHROOM PB, BLACK WITH 1 N.O. & 1 N.C. CONTACT & HKHPMBRKT
HKHPBMMG1	MOMENTARY MUSHROOM PB, GREEN WITH 1 N.O. & 1 N.C. CONTACT & HKHPMBRKT
DOUBLE MOMENTARY PUSH BUTTON	
HKHDBLPBMMGR1	DOUBLE MOMENTARY PUSH BUTTON, RED & GREEN BUTTONS WITH 1 N.O. & 1 N.C. & HKHPMBRKT
MAINTAINED MUSHROOM HEAD PUSH BUTTONS	
HKHPBPMTMR1	MAINTAINED MUSHROOM PUSH/PULL PB, RED WITH 1 N.O. & 1 N.C. CONTACT & HKHPMBRKT
HKHPBPMTMB1	MAINTAINED MUSHROOM PUSH/PULL PB, BLACK WITH 1 N.O. & 1 N.C. CONTACT & HKHPMBRKT
HKHPBPMTMG1	MAINTAINED MUSHROOM PUSH/PULL PB, GREEN WITH 1 N.O. & 1 N.C. CONTACT & HKHPMBRKT
HKHPBTMTMR1	MAINTAINED MUSHROOM PB TWIST RELEASE, RED WITH 1 N.O. & 1 N.C. CONTACT & HKHPMBRKT
HKHPBKMTMRH1	MAINTAINED PUSH BUTTON KEY RELEASE, MUSHROOM RED HD, HORIZONTAL WITH 1 N.O. & 1 N.C. CONTACT & HKHPMBRKT
HKHPBKMTMRV1	MAINTAINED PUSH BUTTON KEY RELEASE, MUSHROOM RED HD, VERTICAL WITH 1 N.O. & 1 N.C. CONTACT & HKHPMBRKT
PILOT LIGHT LENS ASSEMBLY	
HKHPLRL	PILOT LIGHT RED LENS ASSEMBLY WITH 12-254V AC/DC LAMP MODULE
HKHPLGL	PILOT LIGHT GREEN LENS ASSEMBLY WITH 12-254V AC/DC LAMP MODULE
HKHPLAL	PILOT LIGHT AMBER LENS ASSEMBLY WITH 12-254V AC/DC LAMP MODULE
HKHPLCL	PILOT LIGHT CLEAR LENS ASSEMBLY WITH 12-254V AC/DC LAMP MODULE
HKHPLBL	PILOT LIGHT BLUE LENS ASSEMBLY WITH 12-254V AC/DC LAMP MODULE
2 POSITION SELECTOR SWITCHES*	
HKH2PSMTH1	2 POSITION MAINTAINED CONTACT, HORIZONTAL WITH 1 N.O. & 1 N.C. CONTACT & HKHPMBRKT
HKH2PSMTV1	2 POSITION MAINTAINED CONTACT, VERTICAL WITH 1 N.O. & 1 N.C. CONTACT & HKHPMBRKT
HKH2PSMMRH1	2 POSITION MOMENTARY RIGHT CONTACT, HORIZONTAL WITH 1 N.O. & 1 N.C. CONTACT & HKHPMBRKT
HKH2PSMMRV1	2 POSITION MOMENTARY RIGHT CONTACT, VERTICAL WITH 1 N.O. & 1 N.C. CONTACT & HKHPMBRKT
HKH2PSKH1	2 POSITION KEYED, MAINT./MOM. RIGHT, HORIZONTAL WITH 1 N.O. & 1 N.C. CONTACT & HKHPMBRKT
HKH2PSKV1	2 POSITION KEYED MAINT./MOM. RIGHT, VERTICAL WITH 1 N.O. & 1 N.C. CONTACT & HKHPMBRKT
3 POSITION SELECTOR SWITCHES*	
HKH3PSMTIH4	3 POS. MAINTAINED CONTACT INDEPENDENT CAM, HORIZONTAL WITH 2 N.O. CONTACTS & HKHPMBRKT
HKH3PSMTIV4	3 POS. MAINTAINED CONTACT INDEPENDENT CAM, VERTICAL WITH 2 N.O. CONTACTS & HKHPMBRKT
HKH3PSMMRH4	3 POS. MOM. RIGHT MAINT. LEFT/CNTR INDEPENDENT CAM, HORIZONTAL WITH 2 N.O. CONTACTS & HKHPMBRKT
HKH3PSMMRV4	3 POS. MOM. RIGHT MAINT. LEFT/CNTR INDEPENDENT CAM, VERTICAL WITH 2 N.O. CONTACTS & HKHPMBRKT
HKH3PSMMLH4	3 POS. MOM. LEFT, MAINT. RIGHT/CNTR INDEPENDENT CAM, HORIZONTAL WITH 2 N.O. CONTACTS & HKHPMBRKT
HKH3PSMMLV4	3 POS. MOM. LEFT, MAINT. CNTR/RIGHT INDEPENDENT CAM, VERTICAL WITH 2 N.O. CONTACTS & HKHPMBRKT
HKH3PSMMLRH4	3 POS. MOM. LEFT/RIGHT, MAINT. CNTR INDEPENDENT CAM, HORIZONTAL WITH 2 N.O. CONTACTS & HKHPMBRKT
HKH3PSMMLRV4	3 POS. MOM. LEFT/RIGHT, MAINT. CNTR INDEPENDENT CAM, VERTICAL WITH 2 N.O. CONTACTS & HKHPMBRKT
HKH3PSKIH4	3 POSITION KEYED MAINT./MOM. INDEPENDENT CAM, HORIZONTAL WITH 2 N.O. CONTACTS & HKHPMBRKT
HKH3PSKIV4	3 POSITION KEYED MAINT./MOM. INDEPENDENT CAM, VERTICAL WITH 2 N.O. CONTACTS & HKHPMBRKT



ACTUATOR ASSEMBLIES FOR PANEL MOUNT APPLICATIONS MADE TO YOUR SPECIFICATIONS



ATEX/IECEx Certified

- 0539 ☉ II 2 G Ex e IIC Gb
- 0539 ☉ II 2 D Ex tb IIIC Db
- IP66**
- 50°C ≤ Ta ≤ +60°C**
- DEMKO 14 ATEX 1400U**
- Ex e IIC Gb
- Ex tb IIIC Db
- 50°C ≤ Ta ≤ +60°C**
- IECEx UL 14.0104U**

cULus Certified UL LISTED

- Class I, Zone 1, AEx e IIC Gb / Ex e IIC Gb U**
- Zone 21, AEx tb IIIC Db / Ex tb IIIC Db U**
- Class I, Division 2, Groups A, B, C, D**
- Class II, Div. 1, Groups E, F, G (Canada)**
- Class II, Division 2, Groups E, F, G**
- Class III**
- 50°C ≤ Ta ≤ +60°C**
- Type 3/4/4X/12/13 IP66**

*** Required on thin wall Panel only < .16" thick. Refer to instruction sheet for actuator*

Build your own custom actuator by completing part number for contact arrangement, legend, plate and accessory.

FEATURES-SPECIFICATIONS

HAZCON™

To order complete with mounting bracket, contacts or pilot light module add suffix to end of catalog number for each;

CONTROL MODULE

- L - LED LAMP 3 - 1 NC *6 - 2NO/1NC
- 1 - 1 NO/1 NC 4 - 2 NO *7 - 1NO/2NC
- 2 - 1 NO 5 - 2 NC *8 - 3 NO
- *9 - 3 NC

** Available only with operator HKHPBMMTC*

LEGEND PLATE

- A - START
- B - STOP
- C - ON
- D - OFF
- E - ESTOP
- F - EMERGENCY STOP
- G - RAISE
- H - LOWER
- J - OPEN
- K - CLOSE
- L - FORWARD
- M - REVERSE
- N - RESET
- P - UP
- Q - DOWN
- R - ON-OFF
- S - OFF-ON
- T - UP-DOWN
- X - HAND-AUTO
- Y - OPEN-CLOSE
- Z - OFF-REMOTE
- 0 - BLANK
- 1 - SPECIFY CUSTOM MARKING
- 4 - RUN-OFF-JOG
- 5 - REV-OFF-FWD
- 7 - HAND-OFF-REM
- 9 - HAND-OFF-AUTO

ACCESSORY

- L1- LOCKOUT SST DEPRESSED LOCKOUT, PUSH BUTTON, MOMENTARY
- L2- LOCKOUT, PLASTIC COVER, PUSH BUTTON, MUSHROOM, SELECTOR
- L3- LOCKOUT, SST BAR LOCKOUT, PUSH BUTTON, DEPRESSED MUSHROOM
- L4- LOCKOUT, SST HINGED, PUSH BUTTON, DEPRESSED MUSHROOM

i.e. Momentary Push Button complete with Panel Mounting Bracket, control module for 1NO/1NC contact, "START" Legend Plate, and plastic Flip Cover Lockout: HKHPBMMSS1AL2

For red Pilot Light complete with Panel Mounting Bracket, LED Module, and "OFF" Legend Plate: HKHPLRLD

MOMENTARY START/STOP PUSH BUTTONS	
BASIC CATALOG NUMBERS	DESCRIPTION
HKHPBMSS()	MOMENTARY PB, W/ GREEN START, GREEN (I), RED STOP & RED (O), GREEN, RED & BLACK BLANK DISCS
HKHPBMMTC()	MOMENTARY PUSH BUTTON, 3 CONTACTS
MOMENTARY MUSHROOM HEAD PUSH BUTTONS	
HKHPBMMMR()	MOMENTARY MUSHROOM PB, RED
HKHPBMMMB()	MOMENTARY MUSHROOM PB, BLACK
HKHPBMMMG()	MOMENTARY MUSHROOM PB, GREEN
DOUBLE MOMENTARY PUSH BUTTON	
HKHDBLPBMMGR()	DOUBLE MOMENTARY PB, GREEN & RED BUTTONS
MAINTAINED MUSHROOM HEAD PUSH BUTTONS	
HKHPBMTMR()	MAINTAINED MUSHROOM PUSH/PULL PB, RED
HKHPBMTMB()	MAINTAINED MUSHROOM PUSH/PULL PB, BLACK
HKHPBMTMG()	MAINTAINED MUSHROOM PUSH/PULL PB, GREEN
HKHPBTMTMR()	MAINTAINED MUSHROOM PB TWIST RELEASE, RED
HKHPBKMTMRH()	MAINTAINED PUSH BUTTON KEY RELEASE, MUSHROOM RED HD, HORIZONTAL
HKHPBKMTMRV()	MAINTAINED PUSH BUTTON KEY RELEASE, MUSHROOM RED HD, VERTICAL
PILOT LIGHT LENS ASSEMBLY	
HKHPLR()	PILOT LIGHT RED LENS ASSEMBLY
HKHPLG()	PILOT LIGHT GREEN LENS ASSEMBLY
HKHPLA()	PILOT LIGHT AMBER LENS ASSEMBLY
HKHPLC()	PILOT LIGHT CLEAR LENS ASSEMBLY
HKHPLB()	PILOT LIGHT BLUE LENS ASSEMBLY
2 POSITION SELECTOR SWITCHES*	
HKH2PSMTH()	2 POSITION MAINTAINED CONTACT, HORIZONTAL
HKH2PSMTV()	2 POSITION MAINTAINED CONTACT, VERTICAL
HKH2PSMMRH()	2 POSITION MOMENTARY RIGHT CONTACT, HORIZONTAL
HKH2PSMMRV()	2 POSITION MOMENTARY RIGHT CONTACT, VERTICAL
HKH2PSKH()	2 POSITION KEYED, MAINT./MOM. RIGHT, HORIZONTAL
HKH2PSKV()	2 POSITION KEYED MAINT./MOM. RIGHT, VERTICAL
3 POSITION SELECTOR SWITCHES*	
HKH3PSMTH()	3 POS. MAINTAINED CONTACT INDEPENDENT CAM, HORIZONTAL
HKH3PSMTV()	3 POS. MAINTAINED CONTACT INDEPENDENT CAM, VERTICAL
HKH3PSMMRH()	3 POS. MOM. RIGHT MAINT. LEFT/CNTR INDEPENDENT CAM, HORIZONTAL
HKH3PSMMRV()	3 POS. MOM. RIGHT MAINT. LEFT/CNTR INDEPENDENT CAM, VERTICAL
HKH3PSMMLH()	3 POS. MOM. LEFT, MAINT. RIGHT/CNTR INDEPENDENT CAM, HORIZONTAL
HKH3PSMMLV()	3 POS. MOM. LEFT, MAINT. CNTR/RIGHT INDEPENDENT CAM, VERTICAL
HKH3PSMMLRH()	3 POS. MOM. LEFT/RIGHT, MAINT. CNTR INDEPENDENT CAM, HORIZONTAL
HKH3PSMMLRV()	3 POS. MOM. LEFT/RIGHT, MAINT. CNTR INDEPENDENT CAM, VERTICAL
HKH3PSKIH()	3 POSITION KEYED MAINT./MOM. INDEPENDENT CAM, HORIZONTAL
HKH3PSKIV()	3 POSITION KEYED MAINT./MOM. INDEPENDENT CAM, VERTICAL



ACTUATOR PROPERTIES AND PANEL MOUNT INSTALLATION

ATEX/IECEx Certified

0539 Ⓢ II 2 G Ex e IIC Gb
 0539 Ⓢ II 2 D Ex tb IIIC Db
 IP66
 -50°C ≤ Ta ≤ 60°C
 DEMKO 14 ATEX 1400U
 Ex e IIC Gb
 Ex tb IIIC Db
 -50°C ≤ Ta ≤ +60°C
 IECEx UL 14.0104U

cULus Certified cULus LISTED

Class I, Zone 1, AEx e IIC Gb / Ex e IIC Gb U
 Zone 21, AEx tb IIIC Db / Ex tb IIIC Db U
 Class I, Division 2, Groups A, B, C, D
 Class II, Div. 1, Groups E, F, G (Canada)
 Class II, Division 2, Groups E, F, G
 Class III, Division 1 (Canada)
 Class III
 -50°C ≤ Ta ≤ +60°C
 Type 3/4/4X/12/13 IP66



HKHPBMMSS

Momentary Push Button will depress two Contact Blocks. Supplied with 7 colored inserts shown.

HKHPBMMTC

Momentary Push Button will depress three Contact Blocks. Supplied with 7 colored inserts.

* For Din Rail Mounting Only.



HKHPBMMMR, HKHPBMMMG, HKHPBMMMB

Momentary Mushroom Push Button will depress two Contact Blocks. Available in Red, Green and Black

HKHPBPMTMR, HKHPBPMTMG, HKHPBPMTMB

Maintained Mushroom Push Button with Pull Release will depress two Contact Blocks. Available in Red, Green and Black.



HKH2PSMTH, HKH2PSMTV, HKH2PSMMRH, HKH2PSMMRV

2 Position Rotary Selector Switches for Maintained & Momentary action will depress two Contact Blocks.

HKH3PSMTIH, HKH3PSMTIV, HKH3PSMMRH, HKH3PSMMRV, HKH3PSMMLH, HKH3PSMMLV, HKH3PSMMLRH, HKH3PSMMLRV

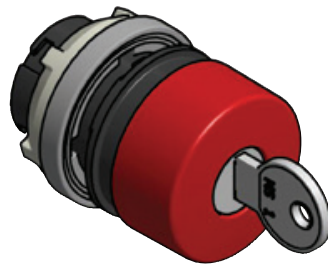
3 Position Rotary Selector Switches for Maintained & Momentary action with Independent Cams that will depress one Contact Block in each Left & Right Positions.



HKHPBILLMM

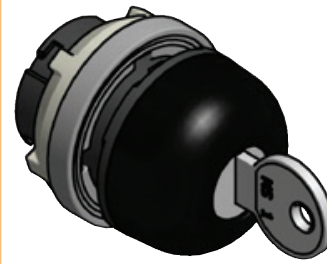
Momentary Illuminated Push Button with LED Lamp that will depress two Contact Blocks. Available with Red, Green, Amber, Clear and Blue transparent inserts.

* For Din Rail Mounting Only.



HKHPBKMTMRH, HKHPBKMTMRV

Maintained Mushroom Push Button with Key Release will depress two Contact Blocks. Available in Red only.



HKH2PSKH, HKH2PSKV

2 Position Key Rotary Selector Switches for Maintained & Momentary action will depress two Contact Blocks.

HKH3PSKIH, HKH3PSKIV

3 Position Key Rotary Selector Switches for Maintained & Momentary action with Independent Cams that will depress one Contact Block in each Left & Right Positions.



HKHPLR, HKHPLG, HKHPLA, HKHPLC, HKHPLB

Pilot Light Lens Assembly. Available in Red, Green, Amber, Clear and Blue



HKHPBTMTR

Maintained Mushroom Push Button with Twist Release will depress two Contact Blocks. Available in Red only



HKHDBLPBMMGR

Double Momentary Push Button will depress one Contact Block on each button. Supplied with 7 colored inserts shown by HKHPBMMSS.



CONTROLS

DIMENSIONAL DATA FOR INSTALLATION OF HKH PANEL MOUNTED ACTUATORS

FEATURES-SPECIFICATIONS

HAZCON™



For installation on
Type 1, 3, 3R, 4/4X,
12 & 13 and IP66
Enclosures



Figure 1

Orientation of rotary actuator part numbers ending in "V"
Keyway positioned at 12 o'clock



Figure 2

Orientation of rotary actuator part numbers ending in "H"
Keyway positioned at 3 o'clock

Mounting:

Intended for use in 30.5mm device openings in control station covers with panel thickness of 0.04"-0.25".

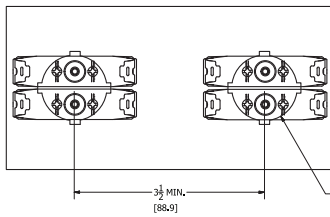
Actuators are intended for use in conjunction with Killark HKH Series Contact Blocks.

For US / CAN Applications:

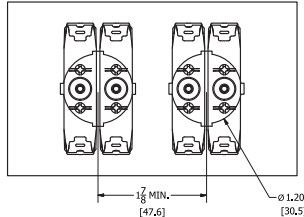
Actuators and Pilot Light Lens Assembly shall be installed in a Class I, Zone 1, AEx e IIC / Ex e IIC increased safety enclosure with a minimum IP54 rating or a Class I, Zone 1, AEx d IIC / Zone 21, AEx tb IIC / Ex d IIC / Ex tb IIC flameproof / dust ignition-proof enclosure with a minimum IP64 rating, where the suitability is determined in the end application.

For ATEX / IECEx Applications:

Actuators and Lens Covers shall be installed in a Group I and/or Group II, 'Ex e' increased safety enclosure with a minimum IP54 rating or an 'Ex d / tb' flameproof / dust ignition-proof enclosure with a minimum IP64 rating, where the suitability is determined in the end application.



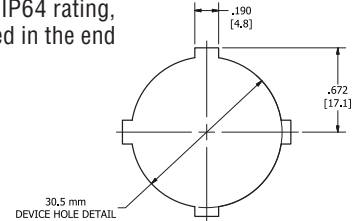
Minimum spacing for rotary actuator part numbers ending in "V"



Minimum spacing for rotary actuator part numbers ending in "H"

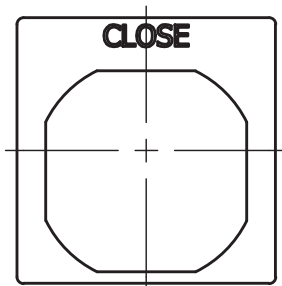
Note: Some Actuators are supplied with an "H" or a "V" at the end of the catalog number. These letters apply to the orientation of the din rail when used in applications with din rails. This feature allows for two different spacings when installed as panel mount. See details for "H" & "V" actuator spacing and contact block orientation.

When installing other actuators such as push buttons & pilot lights the keyway must also be positioned in the same location as the rotary actuators. See Fig. 1 and Fig. 2

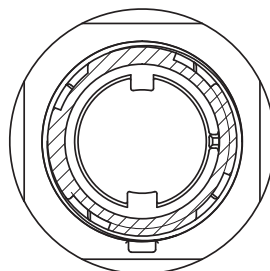


30.5mm Device Hole Detail
Important to maintain Ingress Protection

LEGEND PLATE APPLICATION



Legend Plate



Actuator Housing

ACTUATOR LEGEND PLATES:

HKH actuators will only accept Killark Legend Plates. To insure ingress protection and proper operation is maintained the four flat sides of the plate must match up to the four flat areas on the bottom side of the actuator housing. This must be done to allow the legend plate to float freely under the actuator housing.



ACTUATOR ACCESSORIES / EARTH CONTINUITY PLATES / NUT TOOL



HKHPBMMDHLO



HKHPBSSMFLO



HKHPBMBLO



HKHPBMHLO

FEATURES-SPECIFICATIONS

HAZCON™

Applications

L1 - Hinged Stainless Steel Lockout for standard momentary push button in depressed position

L2 - Plastic Flip Cover Lockout used for momentary push button actuators, selector switch actuators, and mushroom push button actuators

L3 - Bar on Chain Stainless Steel Lockout used for mushroom push buttons in depressed position

L4 - Hinged Stainless Steel Lockout for mushroom push button in depressed position

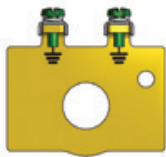
ACCESSORIES	
CATALOG NUMBER	DESCRIPTION
HKHPBSSMFLO	MOM. PB, SELECTOR SWITCH, MUSHROOM PB, PLASTIC FLIP COVER LOCKOUT
HKHPBMMDHLO	PB DEPRESSED STD. MOMENTARY HINGED STAINLESS STEEL LOCKOUT
HKHPBMHLO	PB DEPRESSED MUSHROOM HINGED STAINLESS STEEL LOCKOUT
HKHPBMBLO	MUSHROOM BAR ON CHAIN STAINLESS STEEL LOCKOUT

BRASS EARTH CONTINUITY PLATE (ECP)	
CATALOG NUMBER	DESCRIPTION
HKHGP12M20	GROUND PLATE, BRASS SZ 1 ENCL. 2-M20
HKHGP11M20	GROUND PLATE, BRASS SZ 1 ENCL. 1-M20
HKHGP11M25	GROUND PLATE, BRASS SZ 1 ENCL. 1-M25
HKHGP11M32	GROUND PLATE, BRASS SZ 1 ENCL. 1-M32
HKHGP22M25	GROUND PLATE, BRASS SZ 2 ENCL. 2-M25
HKHGP22M20	GROUND PLATE, BRASS SZ 2 ENCL. 2-M20
HKHGP21M32	GROUND PLATE, BRASS SZ 2 ENCL. 1-M32

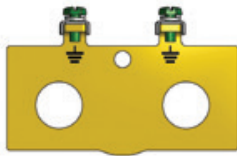
ACTUATOR NUT TOOL	
HKHANTOOL	ACTUATOR NUT TOOL

CONTACT BLOCK & PILOT LIGHT PANEL MOUNT BRACKET	
HKHPMBRKT	CONTACT BLOCK & PILOT LIGHT PANEL MOUNT BRACKET

COVER PLUG	
HKHCP	COVER DEVICE PLUG



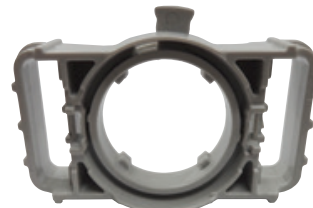
HKHGP11M20



HKHGP22M20



HKHANTOOL



HKHPMBRKT



HKHCP

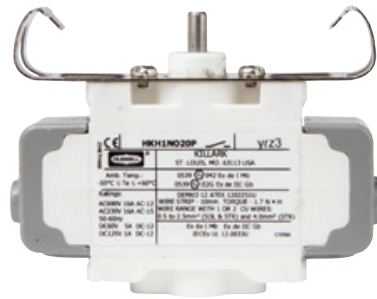
One panel mount bracket required with each actuator for panel mount applications. Additionally use contact blocks and pilot light modules ending in "P".



FACTORY SEALED CONTACT BLOCK MODULES



HKH1NC20D



HKH1NO20P

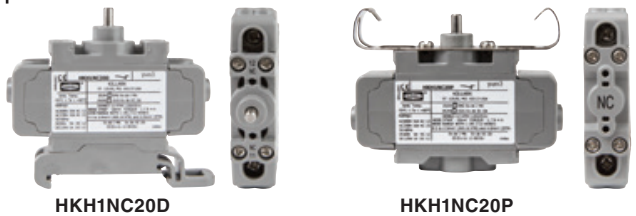
ATEX/IECEx Certified

0539 Ⓢ I M 2 Ex de I Mb
 0539 Ⓢ II 2 G Ex de IIC Gb
 Ambient Range: -55°C ≤ Ta ≤ 60°C
 DEMKO 12 ATEX 1202251U
 Ex de I Mb Ex de IIC Gb
 IECEx UL 12.0033U

cULus Certified cULus LISTED

Class I, Zone 1, AEx de IIC T4 / Ex de IIC T4 X
 Class I, Division 2, Groups A, B, C, D
 Ambient Range: -55°C ≤ Ta ≤ 60°C

Normally Closed Contact Identification:
 All Gray marked: N.C./ (11&12)

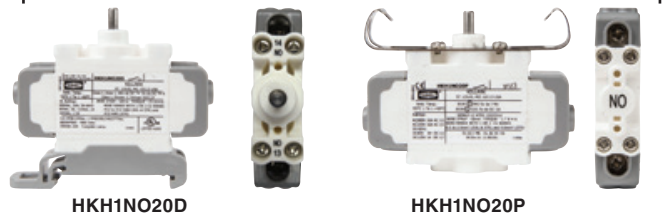


HKH1NC20D

HKH1NC20P

Normally Open Contact Identification:

White center body with gray terminal covers marked: N.O./ (13&14)



HKH1NO20D

HKH1NO20P

HAZCON™

FEATURES-SPECIFICATIONS

Applications

Standard controls station assemblies are supplied with electrical devices mounted to a din rail inside the box portion of the control station, identified with a "D" in the catalog number. i.e. HKH1AND2P11K8, containing contact blocks ending in "D". When panel or cover mounted version is desired one HKHPMBRKT bracket is required for each actuator to assemble contacts, no DIN Rail supplied. Bracket will mount one contact block in the center or two side by side. Contact block part numbers ending in "P" supplied. Complete control station catalog number to be HKH1ANP2P11K8.



SS Terminal Screw Head for use with the following screwdriver types:

- Slotted
- Phillips
- Robertson



Wire Range for 1 or 2 conductors as listed:

- 0.5 to 2.5mm² (SOL & STR)
- 4.0mm² (STR)
- #22 to #12 AWG (SOL & STR)
- #10 AWG (STR)

Contact Block Applications for US/CAN:

Contact block shall be installed in a Class I, Zone 1, AEx e II/Ex e IIC increased safety enclosure with a minimum IP54 rating or a Class I, Zone 1, AEx d IIC/Zone 21, Aex tb minimum IP64 rating, where the suitability is determined in the end application.

Contact Block Applications for ATEX/IECEx:

Contact block shall be installed in a Group I and/or Group II, 'Ex e' increased safety enclosure with a minimum IPS4 rating or an 'Ex d/ tb' flameproof/dust enclosure with a minimum IP64 rating, where the suitability is determined in the end application.

Contact Block Features:

- **UL Electrical Rating:** 690Vac, 20A, 50-60Hz, 60Vdc, 5A, 110Vdc, 2A, 255Vdc, 1.5A, 1/2 HP @120Vac, 1 HP@208/240/277Vac, A600/P600- Pilot Duty 350Vac- Tungsten Lamp.
- **Wire Allowances:** WIRE RANGE with 1 or 2 WIRES: #22 to #12 AWG (SOL & STR) and #10 AWG (STR).
- **IEC Electrical Ratings:** AC690V 16A AC-12, 50-60 Hz, AC230V 16A AC-15, 50-60Hz, DC60V 5A DC-12, DC125 1A DC-12.
- **Wire Allowances:** WIRE RANGE with 1 or 2 WIRES: 0.5 to 2.5mm² (SOL & STR) and 4.0mm² (STR)
- Silver Alloy contacts with Gold Flashing.

CONTACT BLOCK	
CATALOG NUMBERS	DESCRIPTION
HKH1NO20D	N.O. CONTACT, 20A DIN RAIL MOUNT
HKH1NC20D	N.C. CONTACT, 20A DIN RAIL MOUNT
HKH1NO20P	N.O. CONTACT, 20A PANEL MOUNT
HKH1NC20P	N.C. CONTACT, 20A PANEL MOUNT



FACTORY SEALED PILOT LIGHT MODULES



HKHPLD



HKHPLP

ATEX/IECEx Certified

0539 I M 2 Ex de I Mb
 0539 II 2 G Ex de IIC Gb
 Ambient Range: -50°C ≤ Ta ≤ 60°C
 DEMKO 14 ATEX 1337U
 Ex de I Mb Ex de IIC Gb
 IECEx UL 14.0047U

cULus Certified

Class I, Zone 1, AEx de IIC T5 / Ex de IIC T5 X
 Class I, Division 2, Groups A, B, C, D
 Ambient Range: -50°C ≤ Ta ≤ 60°C

FEATURES-SPECIFICATIONS

HAZCON™

Applications

Standard control station assemblies are supplied with electrical devices mounted to din rail inside the box portion of the control station, identified with a "D" in the catalog number. i.e. HKH1AND2LRL0K8. Containing pilot light part number ending in "D". When panel or cover mounted version is desired one HKHPMBRKT bracket is required for each actuator to assemble pilot light, no DIN Rail supplied. The pilot light module will mount on the center of the bracket. Catalog number will change to HKH1ANP2LRL0K8. Pilot light module part number ending in "P".

Pilot Light Applications for US/CAN:

Pilot Light shall be installed in a Class I, Zone 1, AEx e IIC/Ex e IIC increased safety enclosure with a minimum IP54 rating or a Class I, Zone I, AEx d IIIC/Zone 21, AEx tb IIIC/Ex d IIC/Ex tb IIIC flameproof/dust enclosure with a minimum IP64 rating, where the suitability is determined in the end application. **Electrical Rating:** 12-250Vac/Vdc, 50-60 Hz, 0.6 WATTS.

Pilot Light Applications for ATEX/IECEx:

Pilot Light shall be installed in a Group I and/or Group II, 'Ex e' increased safety enclosure with a minimum IP54 rating or an 'Ex d/tb' flameproof/dust enclosure with a minimum IP64 rating, where the suitability is determined in the end application. **Electrical Rating:** 12-254 Vac/Vdc, 50-60 Hz, 0.6 WATTS.

Wire Allowances:

WIRE RANGE with 1 or 2 WIRES: #22 to #12 AWG (SOL & STR) and #10 AWG (STR) 0.5 to 2.5mm (SOL & STR) and 4.0mm² (STR)

PILOT	
CATALOG NUMBERS	DESCRIPTION
HKHPLD	PILOT LIGHT MODULE DIN RAIL MOUNT
HKHPLP	PILOT LIGHT MODULE PANEL MOUNT

AMMETERS, 1A, 5A, 72MM



MEASURING TYPE	OVERLOAD SCALE	MEASURING RANGE
DIRECT MEASURING	2	0-1 / 2A 0-4 / 8A 0-5 / 10A 0-10 / 20A 0-15 / 30A
FOR CURRENT TRANSFORMER	5	0-1 / 5A 0-2.5 / 12.5A 0-5 / 25A 0-15 / 75A 0-25 / 125A 0-40 / 200A 0-50 / 250A 0-60 / 300A 0-75 / 375A 0-100 / 500A 0-150 / 750A 0-200 / 1000A 0-250 / 1250A 0-300 / 1500A 0-400 / 2000A 0-500 / 2500A 0-600 / 3000A



VOLTMETERS, 72MM



RANGE (AC)
0-25V
0-40V
0-150V
0-250V
0-500V



ATEX/IECEx Certified

Ex e II
 IECEx CQM 08.0007U

II 2G Ex e II
 DNV-2008-OSL
 -ATEX-21659U
 -40°C ≤ Ta ≤ 60°C



HUBS / CABLE GLANDS



FEATURES-SPECIFICATIONS

HAZCON™**Applications**

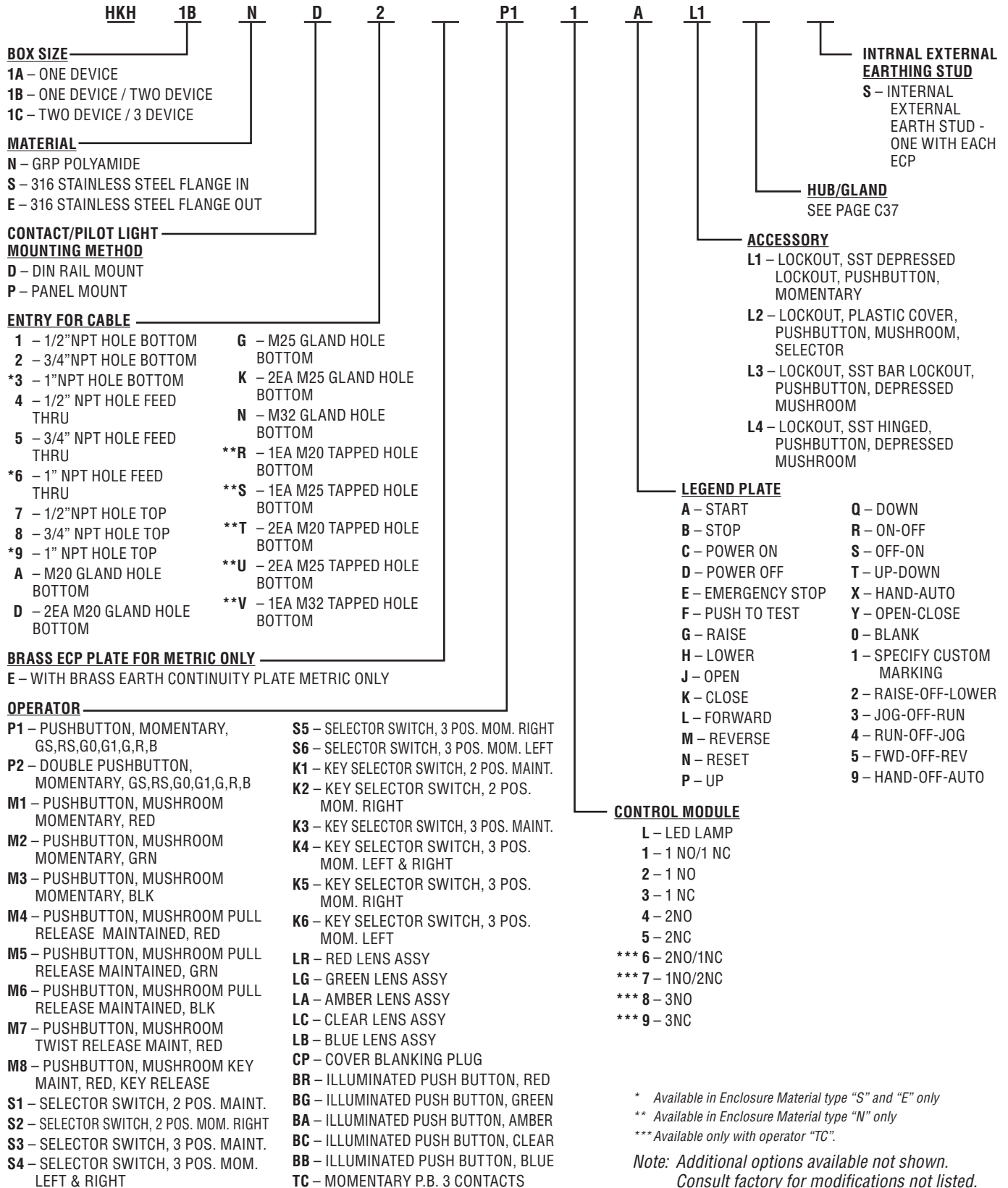
The **421 cable gland** provides a seal on the outer cable sheath and is intended for use on non-armoured elastomer and plastic insulated cables. The cable gland is dual certified Exd and Exe and is suitable for installation in Zone 1 (21) and Zone 2 (22) hazardous areas.

The **MC cable gland** is designed for use with jacketed interlocked, continuously corrugated and welded armor cable. Install where it is essential to provide positive grounding to the cable and for a Type 3, 4 connection.

HUBS/GLANDS	
CATALOG LOGIC NUMBER	DESCRIPTION
H1	421S SINGLE COMP. BRASS GLAND OS-M20
H2	421 SINGLE COMP. BRASS GLAND O-M20
H3	421N SINGLE COMP. BRASS GLAND A-M20
H4	421N SINGLE COMP. BRASS GLAND B-M25
H5	421N SINGLE COMP. BRASS GLAND OS-M20 NAL NICKEL PLATE
H6	421N SINGLE COMP. BRASS GLAND O-M20 NAL NICKEL PLATE
H7	421N SINGLE COMP. BRASS GLAND A-M20 NAL NICKEL PLATE
H8	421N SINGLE COMP. BRASS GLAND B-M25 NAL NICKEL PLATE
H9	421N SINGLE COMP. BRASS GLAND C-M32
HA	421N SINGLE COMP. SS GLAND OS-M20
HB	421N SINGLE COMP. SS GLAND O-M20
HC	421N SINGLE COMP. SS GLAND A-M20
HD	421N SINGLE COMP. SS GLAND B-M25
HE	421N SINGLE COMP. BRASS GLAND C-M32 NAL NICKEL PLATE
HF	421N SINGLE COMP. SS GLAND C-M32
J1	453R SINGLE COMP. BRASS GLAND OS-M20
J2	453R SINGLE COMP. BRASS GLAND O-M20
J3	453R SINGLE COMP. BRASS GLAND A-M20
J4	453R SINGLE COMP. BRASS GLAND B-M25
J5	453R SINGLE COMP. BRASS GLAND OS-M20 NAL NICKEL PLATE
J6	453R SINGLE COMP. BRASS GLAND O-M20 NAL NICKEL PLATE
J7	453R SINGLE COMP. BRASS GLAND A-M20 NAL NICKEL PLATE
J8	453R SINGLE COMP. BRASS GLAND B-M25 NAL NICKEL PLATE
J9	453R SINGLE COMP. BRASS GLAND C-M32
JA	453R SINGLE COMP. SS GLAND OS-M20
JB	453R SINGLE COMP. SS GLAND O-M20
JC	453R SINGLE COMP. SS GLAND A-M20
JD	453R SINGLE COMP. SS GLAND B-M25
JE	453R SINGLE COMP. BRASS GLAND C-M32 NAL NICKEL PLATE
JF	453R SINGLE COMP. SS GLAND C-M32
K1	MC1C JACKETED METAL CLAD CONNECTOR
K2	MC2 JACKETED METAL CLAD CONNECTOR
K3	MC3 JACKETED METAL CLAD CONNECTOR
K4	WH-1G ZINC 1/2" HUB
K5	WH-2G ZINC 3/4" HUB
K6	WH-3G ZINC 1" HUB
K7	WH-SS1G STAINLESS STEEL 1/2" HUB
K8	WH-2SSG STAINLESS STEEL 3/4" HUB
K9	WH-3SSG STAINLESS STEEL 1" HUB
KA	WH-1A ALUM. 1/2"
KB	WH-2A ALUM. 3/4"
KC	WH-3A ALUM. 1" HUB
KD	NMHG1EX PVC COATED 1/2" HUB
KE	NMHG2EX PVC COATED 3/4" HUB
KF	NMHG3EX PVC COATED 1" HUB



CATALOG LOGIC



Harsh & Hazardous Controls from KILLARK



DuraTech

Class I, Div. 2, Groups A, B, C, D
Class I, Zone 2, Groups IIC, IIB, IIA
NEMA 3, 4, 4X, 7 (Div.2)



- Enclosures of rugged polyester resin and gasketed for NEMA 4X hose down protection
- Factory sealed contacts rated for heavy duty NEMA A600/ Q300 explosion-protected operation
- No external seals required for most applications



SEAL-XM™

Class I, Div. 1 & 2, Groups B*, C, D
Class I, Zone 1 & 2, Groups IIB, IIA
Class II, Div. 1 & 2, Groups E, F, G
Class III
NEMA 3, 7 (C, D) 9 (E, F, G)



Certified File 2493125

- Factory Sealed Universal Contact Blocks
- LED Pilot Light Devices as Standard
- No 'Seal Plate' Allows for Direct Wiring
- Explosion-Proof and NEMA 3 Weatherproof
- Available for Class I, Group B Applications

*See catalog data for complete ratings, certification and series features

HKSB-HKH 08-15

KILLARK®

Hubbell Killark
 Hubbell Incorporated (Delaware)
 3940 Dr. Martin Luther King Dr. • St. Louis, MO 63113
 Phone: (314) 531-0460 • Fax: (314) 531-7164
www.hubbell-killark.com



Harsh & Hazardous