

# Klippon® TB QL - Quarter Lock

## Steel enclosures for use in industrial and in explosive hazard areas

The Klippon® TB enclosure range features excellent performance characteristics, even under the most difficult environmental conditions, and comply with the stricter requirements of explosive hazard areas found in the process or power generation industries. The Klippon® TB QL enclosure range offers further improvements to a product line that is already successfully leading the market.

Weidmüller manufactures and supplies the enclosures to match customer specifications - fully fitted with terminal boxes, electronics and cable glands.

### Features:

- Available in 12 sizes and 3 standard depths, with customer-specific sizes on request
- Equipped with up to 4 gland plates
- The gasket is protected against compression
- Quick-locking lid, comes with a slot as standard
- Improved temperature performance
- IP66 protection class
- Earth studs in enclosure cover and bottom section
- Welded mounting feet



## Overview of enclosures

### Ordering data

Description	Height x width x depth in mm	1 Gland Plate (below)	2 Gland Plates (above + below)	3 Gland Plates (below + sides)	4 Gland Plates (all sides)
KTB QL 221513 S4E_*	229 x 152 x 133	1199860000	1199870000	1199880000	1199890000
KTB QL 262615 S4E_*	260 x 260 x 150	1199910000	1199920000	1199930000	1199940000
KTB QL 262620 S4E_*	260 x 260 x 200	1199960000	1199970000	1199980000	1199990000
KTB QL 303015 S4E_*	306 x 306 x 150	1200020000	1200030000	1200040000	1200050000
KTB QL 303020 S4E_*	306 x 306 x 200	1200070000	1200080000	1200090000	1200100000
KTB QL 352615 S4E_*	350 x 260 x 150	1200120000	1200130000	1200140000	1200150000
KTB QL 352620 S4E_*	350 x 260 x 200	1200170000	1200180000	1200190000	1200210000
KTB QL 403015 S4E_*	400 x 300 x 150	1200230000	1200240000	1200250000	1200260000
KTB QL 403020 S4E_*	400 x 300 x 200	1200280000	1200290000	1200310000	1200320000
KTB QL 453815 S4E_*	458 x 382 x 150	1200340000	1200350000	1200360000	1200370000
KTB QL 453820 S4E_*	458 x 382 x 200	1200390000	1200410000	1200420000	1200430000
KTB QL 484815 S4E_*	480 x 480 x 150	1200450000	1200460000	1200470000	1200480000
KTB QL 484820 S4E_*	480 x 480 x 200	1200510000	1200520000	1200530000	1200540000
KTB QL 553515 S4E_*	550 x 350 x 150	1200560000	1200570000	1200580000	1200590000
KTB QL 553520 S4E_*	550 x 350 x 200	1200620000	1200630000	1200640000	1200650000
KTB QL 624515 S4E_*	620 x 450 x 150	1200670000	1200680000	1200690000	1200710000
KTB QL 624520 S4E_*	620 x 450 x 200	1200730000	1200740000	1200750000	1200760000
KTB QL 765015 S4E_*	762 x 508 x 150	1200780000	1200790000	1200810000	1200820000
KTB QL 765020 S4E_*	762 x 508 x 200	1200840000	1200850000	1200860000	1200870000
KTB QL 916115 S4E_*	914 x 610 x 150	1200890000	1200910000	1200920000	1200930000
KTB QL 916120 S4E_*	914 x 610 x 200	1200950000	1200960000	1200970000	1200980000
KTB QL 987420 S4E_*	980 x 740 x 200	1201010000	1201020000	1201030000	1201040000

**Note** \* Placeholder for the number of gland plates (1, 2, 3, 4). Klippon® TB QL enclosures are available without gland plates on request.

## Technical Overview

### Technical data

Enclosure material**	Stainless steel 1.4404 (316L) 1.5 mm
Surface finish	Electropolished
IP protection class	IP 66 to IEC EN 60079-0
NEMA protection classes	3, 4x, 12
Gland plates	1 - 4 (fixed with M6 hexagon head screws and 10 mm heads), optionally without a gland plate
Gland plate thickness	3 mm (other thickness of up to 20 mm are available on request)
Earthing inside	Enclosure base and lid: welded M6 stainless steel earth studs
Earthing outside	Continuous M10 brass earth stud (optionally with stainless-steel earth stud)
Installation mounting	4 or 9 mounting bolts with M6 threaded holes to attach the mounting plate or mounting rails
Enclosure attachment	4 welded mounting feet with 11-mm holes (2 slotted and 2 cross-shaped openings)
Lid opening	Can be removed completely, lid opening angle 130 °
Cover attachment	Quarter-turn lock with slotted insert (other inserts available on request)
Impact resistance	7 J ATEX applications, 10 J industrial applications
Gasket material	Silicone
Operating temperature range	-60 °C...+135 °C
Lid screws, torque*	2.5 Nm
<b>Note</b>	* For screwing on the cover, we recommend our hexagon 10 mm socket wrench (9009070000) ** Painted steel enclosures are available on request.

### Approvals for empty enclosures

ATEX certificate	IBExU14ATEX1028 U	EAC	RU-DE.08.B.00472
ATEX marking	II 2G Ex e IIC Gb II 2D Ex tb IIIC Db	cULus	E243298
IECEX certificate	IECx IBE 14.0004U	DNV GL	TAE000013S
IECEX marking	Ex e IIC Gb Ex tb IIIC Db	Russian Maritime Register	15.40073.250
Nepsi Ex certificate	GYJ14.1308U	INMETRO	IEEx 13.0008U
Nepsi Ex marking	Ex e IIC Gb, DIP A21	AEx	E223792
<b>Note</b>	The Klippon® TB QL enclosure range can be pre-fitted in our customer specific production department according to your wishes.		

### Approvals for control and distribution box

ATEX certificate	IBExU14ATEX1050	IECEX certificate	IECEX IBE 14.0013
ATEX marking	II 2G Ex e IIC T6... T4 Gb or II 2G Ex eb IIC T6... T4 II 1G Ex ia IIC T6... T4 Ga or II 1G Ex ia IIC T6... T4 II 2(1)G Ex e [ia Ga] IIC T6... T4 Gb or II 2(1)G Ex eb [ia Ga] IIC T6... T4 II 2D Ex tb IIIC T 85°C... 135°C Db or II 2D Ex tb IIIC T85 °C... T135 °C II 1D Ex ia IIIC T135 °C Da or II 1D Ex ia IIIC T135 °C	IECEX marking	Ex e IIC T6... T4 Gb or Ex eb IIC T6... T4 Ex ia IIC T6... T4 Ga or Ex ia IIC T6... T4 Ex e ia IIC T6... T4 Gb or Ex eb ia IIC T6... T4 Ex tb IIIC T85°C... T135°C Db or Ex tb IIIC T85 °C... T135 °C Ex ia IIIC T135 °C Da or Ex ia IIIC T135 °C
Nepsi Ex certificate	GYJ14.1309	INMETRO certificate	IEEx 13.0009
Nepsi marking	Ex e IIC T4...T6 Gb Ex ia IIC T4...T6 Ga Ex e ia IIC T4...T6 Gb DIP A21 T <sub>A</sub> 85°C...T <sub>A</sub> 135°C Ex ia D20 T85 °C... T135 °C	INMETRO marking	Ex e IIC T6...T4 Gb Ex ia IIC T6...T4 Ga Ex e ia IIC T6...T4 Gb Ex tb IIIC T85 °C...T1 35 °C Db IP 66
EAC certificate	RUC-DE.08.B.01328	AEx certificate	E223792
EAC marking	II 2 G Ex eb IIC T6...T4 II 2 G Ex e IIC T6...T4 Gb II 1 G Ex ia IIC T6...T4 II 1 G Ex ia IIC T6...T4 Ga II 2(1) G Ex eb ia IIC T6...T4 II 2(1) G Ex e ia IIC T6...T4 Gb II 2 D Ex tb IIIC T85°C...T135°C II 2 D Ex tb IIIC T85°C...T135°C Db	AEx marking	Class I, Zone 1, AEx e IIC Gb T6...T4 Class I, Zone 2, AEx e IIC Gc T6...T4 Class I Div.2 Group A,B,C,D T6...T4 Class II Div.2 Group F,G Zone 21, AEx tb IIIC Db
<b>Note</b>	Labelling depends on the application layout. For details of power dissipation, please contact your Weidmüller representative.		

# Integrate, expand and customise: the perfect supplement to every application

The fully structured range of system accessories for the Klippon® TB enclosure range allows you to easily adapt the enclosure to meet the specific requirements of every application.

The following options are available:

## 1 Document holder

Document holders for storage of important documents in the enclosure.

## 2 Earthing studs

Earthing studs are replaceable. Available in two versions – brass and stainless steel.

## 3 Gland plates

Gland plates are available as spares and also in various material thicknesses.

## 4 Mounting plates

Mounting plates with and without a drilling pattern, for horizontal and vertical mounting of rails, or components fitted directly.

## 5 Mounting hardware kits

Mounting hardware kits are available for quick and easy installation of label holders, mounting plates, gland plates, document holders and rain hoods.

## 6 Door stay

A door stay prevent the door from being closed unintentionally, regardless of the mounting position of the enclosure. This item is **only** available Ex-works.

## 7 Locking systems

Various locking systems are available for the safe securing of the enclosure. There are padlocks for the Klippon® TB MH enclosures and a range of lock inserts for the Klippon® TB QL enclosures.

## 8 Type label holder

A range of label holders are available for product identification.

## 9 Rain hoods

The rain hood provides an ideal, additional level of protection for the enclosure. Particularly useful against heavy rainfall or extreme levels of direct sunlight.





Height / Width / Depth 229 / 152 / 133 mm

**Ordering data**

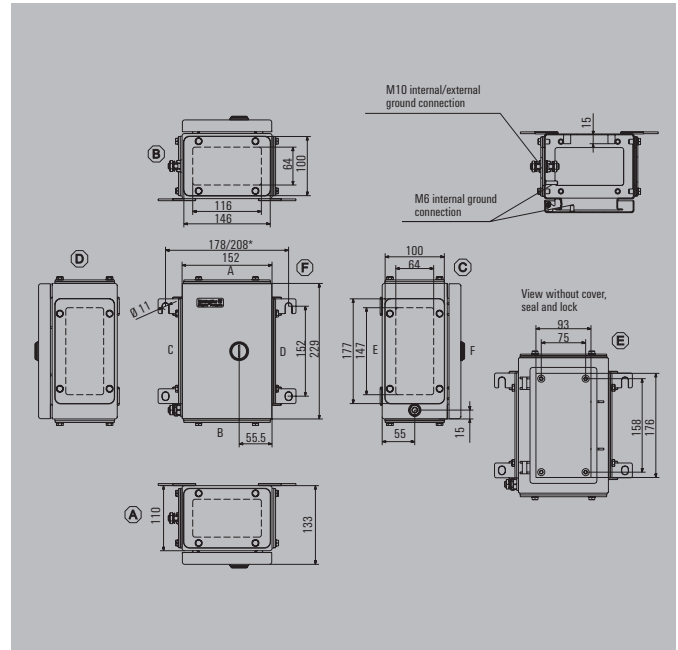
Stainless steel 1.4404 316L, electropolished		Order No.
1 gland plate - down		1199860000
2 gland plates - positioned at top and bottom (A & B)		1199870000
3 gland plates - positioned at bottom, left and right (B, C & D)		1199880000
4 gland plates - positioned at top, bottom, left and right (A, B, C & D)		1199890000

**Note**

**Accessories**

Mounting plates and fastening screws	Order No.
Steel sheet, zinc plated	1193930000
With hole pattern, sheet steel, galvanised	2022050000
Stainless steel 1.4301	1193810000
With hole pattern, natural stainless steel 1.4301	1257650000
Fastening screws for mounting plates	0642600000
Fastening screws for terminal rails	1274150000
<b>Stainless steel spacer M6 x 8, Set of 4</b>	
10 mm length	0935110000
15 mm length	0935120000
20 mm length	0935130000
30 mm length	0935140000
<b>Gland plates - 3 mm with M6 earth studs</b>	
Top and bottom sides (A & B), electropolished stainless steel 1.4404	2022770000
Left and right sides (C & D), electropolished stainless steel 1.4404	2022900000
<b>Gland plates and screws - 6 mm</b>	
Top and bottom sides (A & B), electropolished stainless steel 1.4404	1256270000
Left and right sides (C & D), electropolished stainless steel 1.4404	1256280000
Mounting screw, stainless steel 1.4404	1253230000
<b>Rain hoods</b>	
Stainless steel 1.4301, mirror-polished	1281360000
Stainless steel 1.4404, electro-polished	1314090000
<b>Label holder</b>	
70 x 70 angled stainless steel 1.4301	1279320000
130x50 stainless steel 1.4301	1283450000
100x25 stainless steel 1.4301	1257640000
<b>Set of fixings*</b>	
For label holders, rain hoods and document holders (rivet)	1252190000
For plastic (Trafolyte), identification plate (screw)	1285200000
<b>Earthing stud</b>	
Stainless steel 1.4404, M10	1192690000

**Note** \* packing unit (PU) = 20 pcs., sufficient for 10 fixtures



**Max. number of terminals (industry)**

Max. number of terminals (industry)	vertical	horizontal
2.5 mm <sup>2</sup>	1x29	1x15
4 mm <sup>2</sup>		1x13
6 mm <sup>2</sup>		1x9
10 mm <sup>2</sup>		1x7
16 mm <sup>2</sup>		1x6
35 mm <sup>2</sup>		

**Note**

\*For enclosure versions with zero, one or two gland plates, the horizontal gap between the mounting feet is reduced by 30 mm. Assembly with terminal blocks provides for 10 mm clearance to the ends of the mounting rail. Recommended order: TS 35 mounting rail (screw terminal) WDU 2.5 1020000000 / (tension clamp terminal) ZDU 2.5 1608510000 / (tension clamp terminal) PDU 2.5 1896110000 TS 32 mounting rail (screw terminal) SAK 2.5 0279660000 TS 15 mounting rail (screw terminal) AKZ 2.5 0697160000

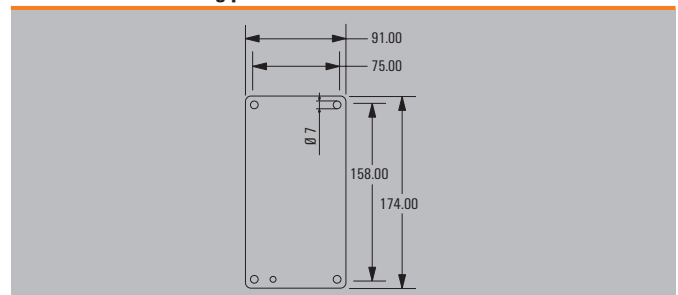
**Number of cable entries**

Number of cable entries	A / B	C / D
M12	6	8
M16	5	6
M20	2	3
M25	2	2
M32	1	2
M40	1	2
M50	0	0
M63	0	0
M75	0	0

**Note**

Our IP 68 brass cable glands serve as a reference for these recommended values.

**Dimensions of mounting plate**





Height / Width / Depth 260 / 260 / 150 mm

**Ordering data**

Stainless steel 1.4404 316L, electropolished		Order No.
1 gland plate - down		1199910000
2 gland plates - positioned at top and bottom (A & B)		1199920000
3 gland plates - positioned at bottom, left and right (B, C & D)		1199930000
4 gland plates - positioned at top, bottom, left and right (A, B, C & D)		1199940000

**Note**

**Accessories**

Mounting plates and fastening screws	Order No.
Steel sheet, zinc plated	1193950000
With hole pattern, sheet steel, galvanised	2022060000
Stainless steel 1.4301	1193820000
With hole pattern, natural stainless steel 1.4301	1257660000
Fastening screws for mounting plates	0642600000
Fastening screws for terminal rails	1274150000

Stainless steel spacer M6 x 8, Set of 4		Order No.
10 mm length		0935110000
15 mm length		0935120000
20 mm length		0935130000
30 mm length		0935140000

Gland plates - 3 mm with M6 earth studs	Order No.
Top and bottom sides (A & B), electropolished stainless steel 1.4404	2022930000
Left and right sides (C & D), electropolished stainless steel 1.4404	2023090000

Gland plates and screws - 6 mm	Order No.
Top and bottom sides (A & B), electropolished stainless steel 1.4404	1256290000
Left and right sides (C & D), electropolished stainless steel 1.4404	1256310000
Mounting screw, stainless steel 1.4404	1253230000

Rain hoods	Order No.
Stainless steel 1.4301, mirror-polished	1281370000
Stainless steel 1.4404, electro-polished	1314100000

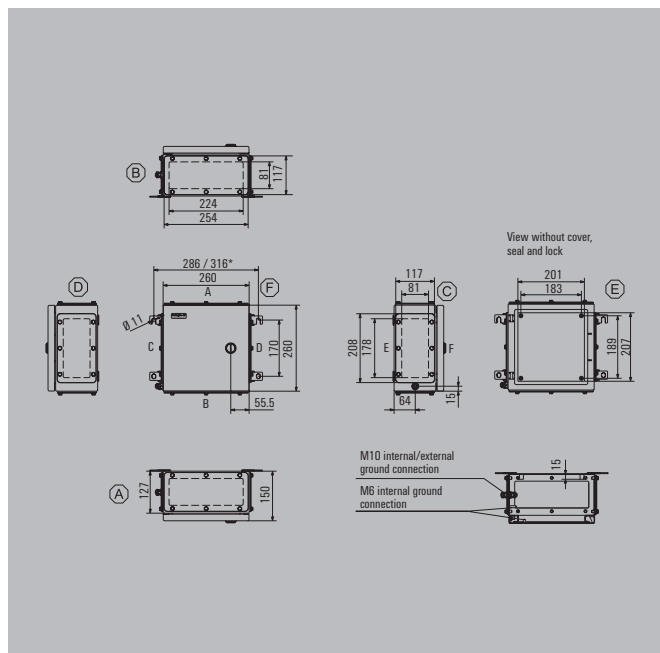
Label holder	Order No.
70 x 70 angled stainless steel 1.4301	1279320000
130x50 stainless steel 1.4301	1283450000
100x25 stainless steel 1.4301	1257640000

Document holder	Order No.
For DIN A6 size documents	1252780000

Set of fixings*	Order No.
For label holders, rain hoods and document holders (rivet)	1252190000
For plastic (Trafolyte), identification plate (screw)	1285200000

Earthing stud	Order No.
Stainless steel 1.4404, M10	1192690000

**Note** \* packing unit (PU) = 20 pcs., sufficient for 10 fixtures



**Max. number of terminals (industry)**

Max. number of terminals (industry)	vertical	horizontal
2.5 mm <sup>2</sup>	2x35	2x34
4 mm <sup>2</sup>	1x30	1x29
6 mm <sup>2</sup>	1x22	1x22
10 mm <sup>2</sup>	1x18	1x17
16 mm <sup>2</sup>	1x15	1x14
35 mm <sup>2</sup>		

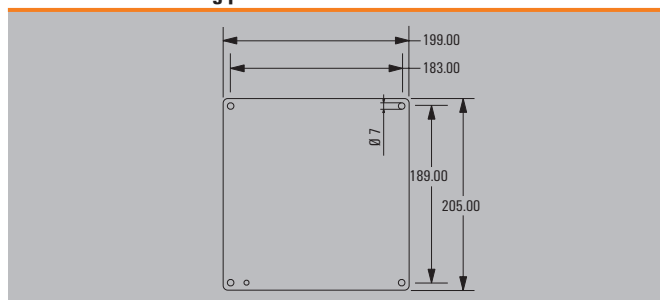
**Note** \*For enclosure versions with zero, one or two gland plates, the horizontal gap between the mounting feet is reduced by 30 mm. Assembly with terminal blocks provides for 10 mm clearance to the ends of the mounting rail. Recommended order: TS 35 mounting rail (screw terminal) WDU 2.5 1020000000 / (tension clamp terminal) ZDU 2.5 1608510000 / (tension clamp terminal) PDU 2.5 1896110000 TS 32 mounting rail (screw terminal) SAK 2.5 0279660000 TS 15 mounting rail (screw terminal) AKZ 2.5 0697160000

**Number of cable entries**

Number of cable entries	A / B	C / D
M12	20	15
M16	11	8
M20	9	7
M25	4	3
M32	3	2
M40	3	2
M50	2	2
M63	0	0
M75	0	0

**Note** Our IP 68 brass cable glands are used as the reference for these guideline values.

**Dimensions of mounting plate**





Height / Width / Depth 260 / 260 / 200 mm

**Ordering data**

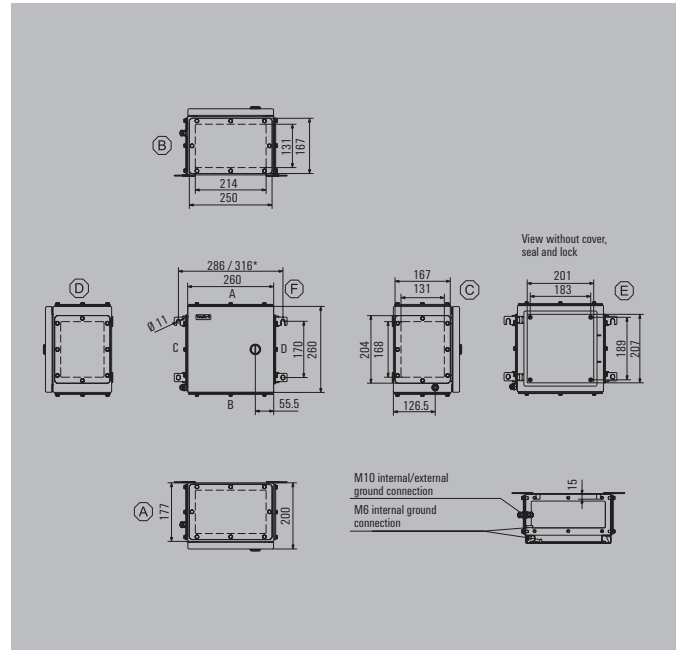
Stainless steel 1.4404 316L, electropolished		Order No.
1 gland plate - down		1199960000
2 gland plates - positioned at top and bottom (A & B)		1199970000
3 gland plates - positioned at bottom, left and right (B, C & D)		1199980000
4 gland plates - positioned at top, bottom, left and right (A, B, C & D)		1199990000

**Note**

**Accessories**

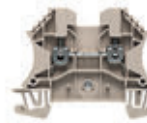
Mounting plates and fastening screws	Order No.
Steel sheet, zinc plated	1193950000
With hole pattern, sheet steel, galvanised	2022060000
Stainless steel 1.4301	1193820000
With hole pattern, natural stainless steel 1.4301	1257660000
Fastening screws for mounting plates	0642600000
Fastening screws for terminal rails	1274150000
Stainless steel spacer M6 x 8, Set of 4	
10 mm length	0935110000
15 mm length	0935120000
20 mm length	0935130000
30 mm length	0935140000
Gland plates - 3 mm with M6 earth studs	
Top and bottom sides (A & B), electropolished stainless steel 1.4404	2023100000
Left and right sides (C & D), electropolished stainless steel 1.4404	2023110000
Gland plates and screws - 6 mm	
Top and bottom sides (A & B), electropolished stainless steel 1.4404	1256320000
Left and right sides (C & D), electropolished stainless steel 1.4404	1256330000
Mounting screw, stainless steel 1.4404	1253230000
Rain hoods	
Stainless steel 1.4301, mirror-polished	1281380000
Stainless steel 1.4404, electro-polished	1314110000
Label holder	
70 x 70 angled stainless steel 1.4301	1279320000
130x50 stainless steel 1.4301	1283450000
100x25 stainless steel 1.4301	1257640000
Document holder	
For DIN A6 size documents	1252780000
Set of fixings*	
For label holders, rain hoods and document holders (rivet)	1252190000
For plastic (Trafolyte), identification plate (screw)	1285200000
Earthing stud	
Stainless steel 1.4404, M10	1192690000

**Note** \* packing unit (PU) = 20 pcs., sufficient for 10 fixtures



**Max. number of terminals (industry)**

Max. number of terminals (industry)	vertical	horizontal
2.5 mm <sup>2</sup>	2x35	2x34
4 mm <sup>2</sup>	1x30	1x29
6 mm <sup>2</sup>	1x22	1x22
10 mm <sup>2</sup>	1x18	1x17
16 mm <sup>2</sup>	1x15	1x14
35 mm <sup>2</sup>		



**Note**

\*For enclosure versions with zero, one or two gland plates, the horizontal gap between the mounting feet is reduced by 30 mm. Assembly with terminal blocks provides for 10 mm clearance to the ends of the mounting rail. Recommended order: TS 35 mounting rail (screw terminal) WDU 2.5 1020000000 / (tension clamp terminal) ZDU 2.5 1608510000 / (tension clamp terminal) PDU 2.5 1896110000 TS 32 mounting rail (screw terminal) SAK 2.5 0279660000 TS 15 mounting rail (screw terminal) AKZ 2.5 0697160000

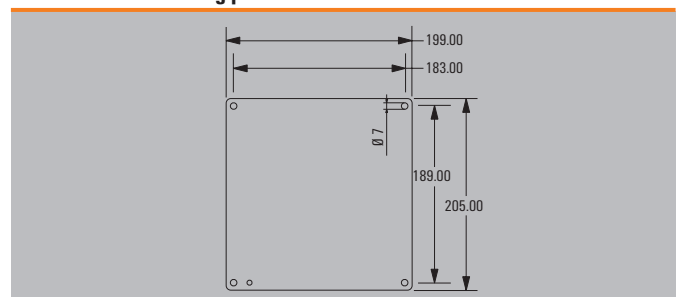
**Number of cable entries**

Number of cable entries	A / B	C / D
M12	33	25
M16	22	16
M20	14	11
M25	12	9
M32	6	4
M40	5	4
M50	2	2
M63	2	1
M75	1	1

**Note**

Our IP 68 brass cable glands serve as a reference for these recommended values.

**Dimensions of mounting plate**





Height / Width / Depth 306 / 306 / 150 mm

**Ordering data**

Stainless steel 1.4404 316L, electropolished	Order No.
1 gland plate - down	1200020000
2 gland plates - positioned at top and bottom (A & B)	1200030000
3 gland plates - positioned at bottom, left and right (B, C & D)	1200040000
4 gland plates - positioned at top, bottom, left and right (A, B, C & D)	1200050000

**Note**

**Accessories**

Mounting plates and fastening screws	Order No.
Steel sheet, zinc plated	1193960000
With hole pattern, sheet steel, galvanised	2022190000
Stainless steel 1.4301	1193830000
With hole pattern, natural stainless steel 1.4301	1257670000
Fastening screws for mounting plates	0642600000
Fastening screws for terminal rails	1274150000

Stainless steel spacer M6 x 8, Set of 4	Order No.
10 mm length	0935110000
15 mm length	0935120000
20 mm length	0935130000
30 mm length	0935140000

Gland plates - 3 mm with M6 earth studs	Order No.
Top and bottom sides (A & B), electropolished stainless steel 1.4404	2023120000
Left and right sides (C & D), electropolished stainless steel 1.4404	2023130000

Gland plates and screws - 6 mm	Order No.
Top and bottom sides (A & B), electropolished stainless steel 1.4404	1256340000
Left and right sides (C & D), electropolished stainless steel 1.4404	1256350000
Mounting screw, stainless steel 1.4404	1253230000

Rain hoods	Order No.
Stainless steel 1.4301, mirror-polished	1281390000
Stainless steel 1.4404, electro-polished	1314120000

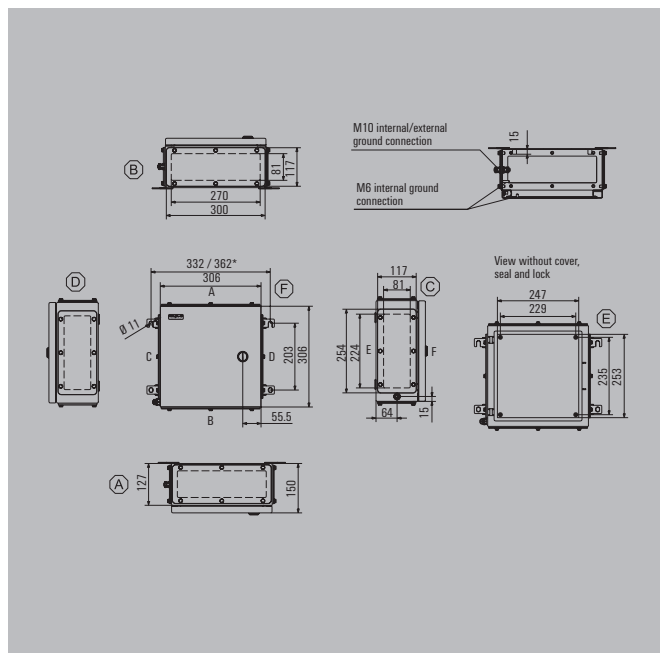
Label holder	Order No.
70 x 70 angled stainless steel 1.4301	1279320000
130x50 stainless steel 1.4301	1283450000
100x25 stainless steel 1.4301	1257640000

Document holder	Order No.
For DIN A6 size documents	1252780000

Set of fixings*	Order No.
For label holders, rain hoods and document holders (rivet)	1252190000
For plastic (Trafolyte), identification plate (screw)	1285200000

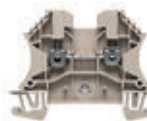
Earthing stud	Order No.
Stainless steel 1.4404, M10	1192690000

**Note** \* packing unit (PU) = 20 pcs., sufficient for 10 fixtures



**Max. number of terminals (industry)**

Max. number of terminals (industry)	vertical	horizontal
2.5 mm <sup>2</sup>	2x44	2x43
4 mm <sup>2</sup>	2x37	2x36
6 mm <sup>2</sup>	2x28	2x27
10 mm <sup>2</sup>	1x22	1x22
16 mm <sup>2</sup>	1x19	1x18
35 mm <sup>2</sup>	1x14	1x13



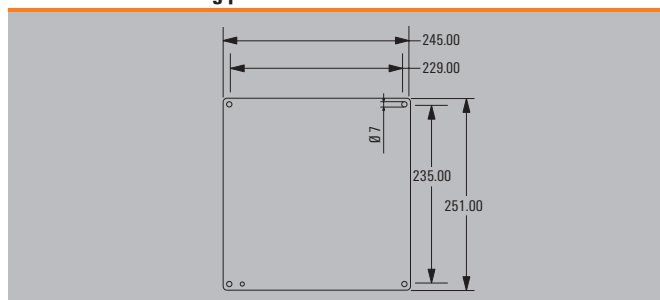
**Note** \*For enclosure versions with zero, one or two gland plates, the horizontal gap between the mounting feet is reduced by 30 mm. Assembly with terminal blocks provides for 10 mm clearance to the ends of the mounting rail. Recommended order: TS 35 mounting rail (screw terminal) WDU 2.5 1020000000 / (tension clamp terminal) ZDU 2.5 1608510000 / (tension clamp terminal) PDU 2.5 1896110000 TS 32 mounting rail (screw terminal) SAK 2.5 0279660000 TS 15 mounting rail (screw terminal) AKZ 2.5 0697160000

**Number of cable entries**

Number of cable entries	A / B	C / D
M12	24	20
M16	13	11
M20	11	9
M25	5	4
M32	4	3
M40	3	3
M50	3	2
M63	0	0
M75	0	0

**Note** Our IP 68 brass cable glands are used as the reference for these guideline values.

**Dimensions of mounting plate**







Height / Width / Depth 306 / 306 / 200 mm

**Ordering data**

Stainless steel 1.4404 316L, electropolished		Order No.
1 gland plate - down		1200070000
2 gland plates - positioned at top and bottom (A & B)		1200080000
3 gland plates - positioned at bottom, left and right (B, C & D)		1200090000
4 gland plates - positioned at top, bottom, left and right (A, B, C & D)		1200100000

**Note**

**Accessories**

Mounting plates and fastening screws		Order No.
Steel sheet, zinc plated		1193960000
With hole pattern, sheet steel, galvanised		2022190000
Stainless steel 1.4301		1193830000
With hole pattern, natural stainless steel 1.4301		1257670000
Fastening screws for mounting plates		0642600000
Fastening screws for terminal rails		1274150000

Stainless steel spacer M6 x 8, Set of 4		Order No.
10 mm length		0935110000
15 mm length		0935120000
20 mm length		0935130000
30 mm length		0935140000

Gland plates - 3 mm with M6 earth studs		Order No.
Top and bottom sides (A & B), electropolished stainless steel 1.4404		2023140000
Left and right sides (C & D), electropolished stainless steel 1.4404		2023150000

Gland plates and screws - 6 mm		Order No.
Top and bottom sides (A & B), electropolished stainless steel 1.4404		1256360000
Left and right sides (C & D), electropolished stainless steel 1.4404		1256370000
Mounting screw, stainless steel 1.4404		1253230000

Rain hoods		Order No.
Stainless steel 1.4301, mirror-polished		1281400000
Stainless steel 1.4404, electro-polished		1314130000

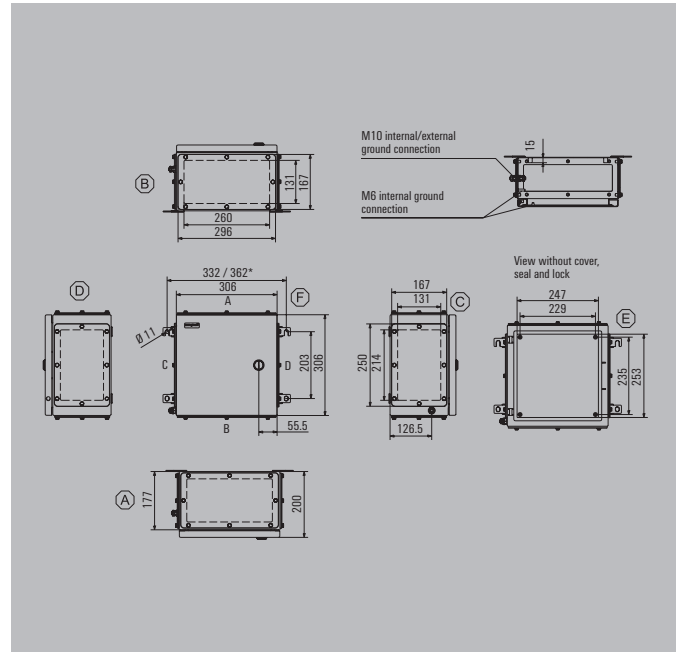
Label holder		Order No.
70 x 70 angled stainless steel 1.4301		1279320000
130x50 stainless steel 1.4301		1283450000
100x25 stainless steel 1.4301		1257640000

Document holder		Order No.
For DIN A6 size documents		1252780000

Set of fixings*		Order No.
For label holders, rain hoods and document holders (rivet)		1252190000
For plastic (Trafolyte), identification plate (screw)		1285200000

Earthing stud		Order No.
Stainless steel 1.4404, M10		1192690000

**Note** \* packing unit (PU) = 20 pcs., sufficient for 10 fixtures



**Max. number of terminals (industry)**

Max. number of terminals (industry)	vertical	horizontal
2.5 mm <sup>2</sup>	2x44	2x43
4 mm <sup>2</sup>	2x37	2x36
6 mm <sup>2</sup>	2x28	2x27
10 mm <sup>2</sup>	1x22	1x22
16 mm <sup>2</sup>	1x19	1x18
35 mm <sup>2</sup>	1x14	1x13

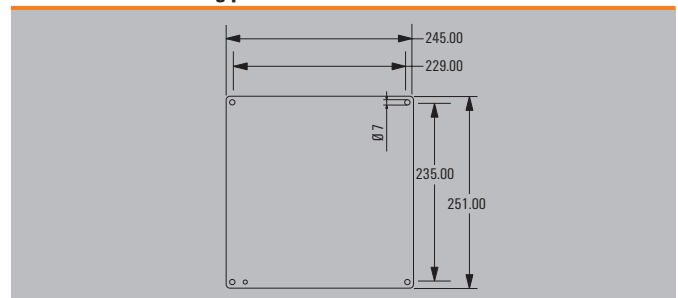
**Note** \*For enclosure versions with zero, one or two gland plates, the horizontal gap between the mounting feet is reduced by 30 mm. Assembly with terminal blocks provides for 10 mm clearance to the ends of the mounting rail. Recommended order: TS 35 mounting rail (screw terminal) WDU 2.5 1020000000 / (tension clamp terminal) ZDU 2.5 1608510000 / (tension clamp terminal) PDU 2.5 1896110000 TS 32 mounting rail (screw terminal) SAK 2.5 0279660000 TS 15 mounting rail (screw terminal) AKZ 2.5 0697160000

**Number of cable entries**

Number of cable entries	A / B	C / D
M12	40	33
M16	26	22
M20	17	14
M25	14	12
M32	8	6
M40	6	5
M50	3	2
M63	2	2
M75	2	1

**Note** Our IP 68 brass cable glands serve as a reference for these recommended values.

**Dimensions of mounting plate**







Height / Width / Depth 350 / 260 / 150 mm

**Ordering data**

Stainless steel 1.4404 316L, electropolished	Order No.
1 gland plate - down	1200120000
2 gland plates - positioned at top and bottom (A & B)	1200130000
3 gland plates - positioned at bottom, left and right (B, C & D)	1200140000
4 gland plates - positioned at top, bottom, left and right (A, B, C & D)	1200150000

**Note**

**Accessories**

Mounting plates and fastening screws	Order No.
Steel sheet, zinc plated	1193970000
With hole pattern, sheet steel, galvanised	2022310000
Stainless steel 1.4301	1193840000
With hole pattern, natural stainless steel 1.4301	1257680000
Fastening screws for mounting plates	0642600000
Fastening screws for terminal rails	1274150000

Stainless steel spacer M6 x 8, Set of 4	Order No.
10 mm length	0935110000
15 mm length	0935120000
20 mm length	0935130000
30 mm length	0935140000

Gland plates - 3 mm with M6 earth studs	Order No.
Top and bottom sides (A & B), electropolished stainless steel 1.4404	2023160000
Left and right sides (C & D), electropolished stainless steel 1.4404	2023210000

Gland plates and screws - 6 mm	Order No.
Top and bottom sides (A & B), electropolished stainless steel 1.4404	1256380000
Left and right sides (C & D), electropolished stainless steel 1.4404	1256390000
Mounting screw, stainless steel 1.4404	1253230000

Rain hoods	Order No.
Stainless steel 1.4301, mirror-polished	1281410000
Stainless steel 1.4404, electro-polished	1314140000

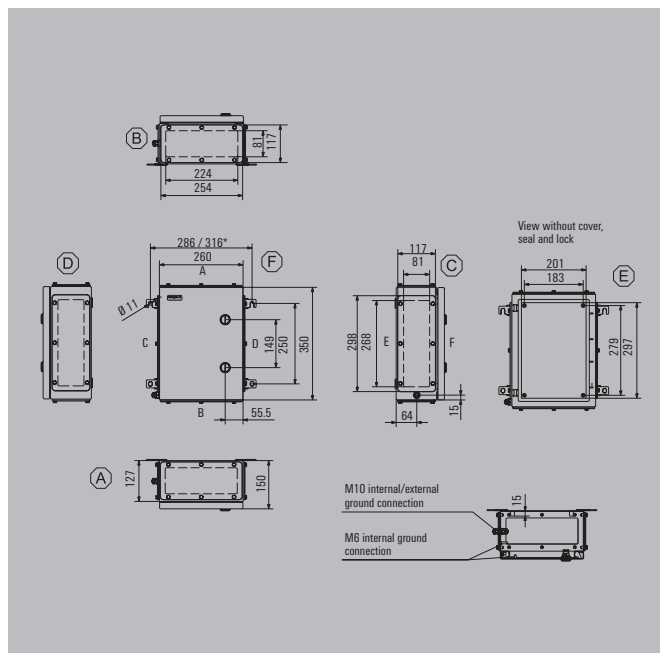
Label holder	Order No.
70 x 70 angled stainless steel 1.4301	1279320000
130x50 stainless steel 1.4301	1283450000
100x25 stainless steel 1.4301	1257640000

Document holder	Order No.
For DIN A6 size documents	1252780000

Set of fixings*	Order No.
For label holders, rain hoods and document holders (rivet)	1252190000
For plastic (Trafolyte), identification plate (screw)	1285200000

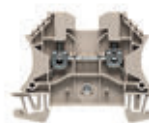
Earthing stud	Order No.
Stainless steel 1.4404, M10	1192690000

**Note** \* packing unit (PU) = 20 pcs., sufficient for 10 fixtures



**Max. number of terminals (industry)**

Max. number of terminals (industry)	vertical	horizontal
2.5 mm <sup>2</sup>	2x53	2x34
4 mm <sup>2</sup>	1x44	2x29
6 mm <sup>2</sup>	1x33	2x22
10 mm <sup>2</sup>	1x27	2x17
16 mm <sup>2</sup>	1x22	1x14
35 mm <sup>2</sup>		1x11



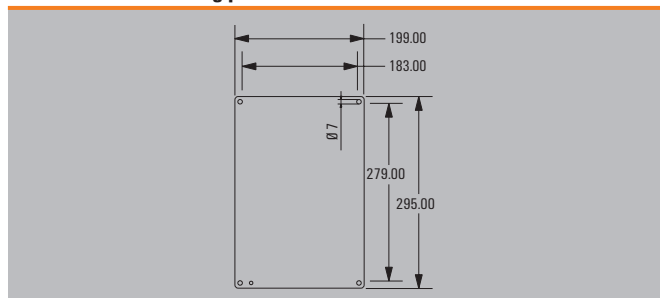
**Note** \*For enclosure versions with zero, one or two gland plates, the horizontal gap between the mounting feet is reduced by 30 mm. Assembly with terminal blocks provides for 10 mm clearance to the ends of the mounting rail. Recommended order: TS 35 mounting rail (screw terminal) WDU 2.5 1020000000 / (tension clamp terminal) ZDU 2.5 1608510000 / (tension clamp terminal) PDU 2.5 1896110000 TS 32 mounting rail (screw terminal) SAK 2.5 0279660000 TS 15 mounting rail (screw terminal) AKZ 2.5 0697160000

**Number of cable entries**

Number of cable entries	A / B	C / D
M12	20	23
M16	11	13
M20	9	11
M25	4	5
M32	3	4
M40	3	3
M50	2	3
M63	0	0
M75	0	0

**Note** Our IP 68 brass cable glands serve as a reference for these recommended values.

**Dimensions of mounting plate**





Height / Width / Depth 350 / 260 / 200 mm

**Ordering data**

Stainless steel 1.4404 316L, electropolished	Order No.
1 gland plate - down	1200170000
2 gland plates - positioned at top and bottom (A & B)	1200180000
3 gland plates - positioned at bottom, left and right (B, C & D)	1200190000
4 gland plates - positioned at top, bottom, left and right (A, B, C & D)	1200210000

**Note**

**Accessories**

Mounting plates and fastening screws	Order No.
Steel sheet, zinc plated	1193970000
With hole pattern, sheet steel, galvanised	2022310000
Stainless steel 1.4301	1193840000
With hole pattern, natural stainless steel 1.4301	1257680000
Fastening screws for mounting plates	0642600000
Fastening screws for terminal rails	1274150000

Stainless steel spacer M6 x 8, Set of 4	Order No.
10 mm length	0935110000
15 mm length	0935120000
20 mm length	0935130000
30 mm length	0935140000

Gland plates - 3 mm with M6 earth studs	Order No.
Top and bottom sides (A & B), electropolished stainless steel 1.4404	2023230000
Left and right sides (C & D), electropolished stainless steel 1.4404	2023280000

Gland plates and screws - 6 mm	Order No.
Top and bottom sides (A & B), electropolished stainless steel 1.4404	1256410000
Left and right sides (C & D), electropolished stainless steel 1.4404	1256420000
Mounting screw, stainless steel 1.4404	1253230000

Rain hoods	Order No.
Stainless steel 1.4301, mirror-polished	1281420000
Stainless steel 1.4404, electro-polished	1314150000

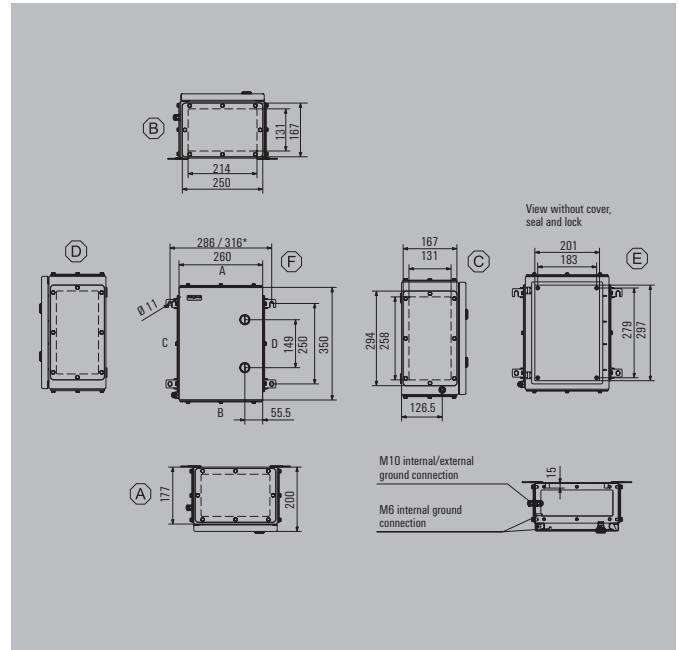
Label holder	Order No.
70 x 70 angled stainless steel 1.4301	1279320000
130x50 stainless steel 1.4301	1283450000
100x25 stainless steel 1.4301	1257640000

Document holder	Order No.
For DIN A6 size documents	1252780000

Set of fixings*	Order No.
For label holders, rain hoods and document holders (rivet)	1252190000
For plastic (Trafolyte), identification plate (screw)	1285200000

Earthing stud	Order No.
Stainless steel 1.4404, M10	1192690000

**Note** \* packing unit (PU) = 20 pcs., sufficient for 10 fixtures



**Max. number of terminals (industry)**

Max. number of terminals (industry)	vertical	horizontal
2.5 mm <sup>2</sup>	2x53	2x34
4 mm <sup>2</sup>	1x44	2x29
6 mm <sup>2</sup>	1x33	2x22
10 mm <sup>2</sup>	1x27	2x17
16 mm <sup>2</sup>	1x22	1x14
35 mm <sup>2</sup>		1x11

**Note**

\*For enclosure versions with zero, one or two gland plates, the horizontal gap between the mounting feet is reduced by 30 mm. Assembly with terminal blocks provides for 10 mm clearance to the ends of the mounting rail. Recommended order:  
 TS 35 mounting rail (screw terminal) WDU 2.5 1020000000 / (tension clamp terminal) ZDU 2.5 1608510000 / (tension clamp terminal) PDU 2.5 1896110000  
 TS 32 mounting rail (screw terminal) SAK 2.5 0279660000  
 TS 15 mounting rail (screw terminal) AKZ 2.5 0697160000

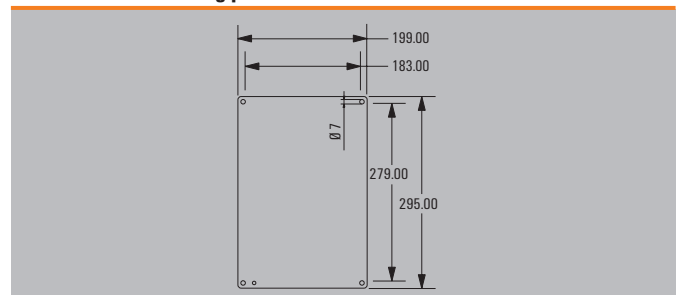
**Number of cable entries**

Number of cable entries	A / B	C / D
M12	33	38
M16	22	26
M20	14	17
M25	12	14
M32	6	7
M40	5	6
M50	2	3
M63	2	2
M75	1	2

**Note**

Our IP 68 brass cable glands are used as the reference for these guideline values.

**Dimensions of mounting plate**





Height / Width / Depth 400 / 300 / 150 mm

**Ordering data**

Stainless steel 1.4404 316L, electropolished	Order No.
1 gland plate - down	1200230000
2 gland plates - positioned at top and bottom (A & B)	1200240000
3 gland plates - positioned at bottom, left and right (B, C & D)	1200250000
4 gland plates - positioned at top, bottom, left and right (A, B, C & D)	1200260000

**Note**

**Accessories**

Mounting plates and fastening screws	Order No.
Steel sheet, zinc plated	1193980000
With hole pattern, sheet steel, galvanised	2022420000
Stainless steel 1.4301	1193850000
With hole pattern, natural stainless steel 1.4301	1257690000
Fastening screws for mounting plates	0642600000
Fastening screws for terminal rails	1274150000

Stainless steel spacer M6 x 8, Set of 4	Order No.
10 mm length	0935110000
15 mm length	0935120000
20 mm length	0935130000
30 mm length	0935140000

Gland plates - 3 mm with M6 earth studs	Order No.
Top and bottom sides (A & B), electropolished stainless steel 1.4404	2023320000
Left and right sides (C & D), electropolished stainless steel 1.4404	2023330000

Gland plates and screws - 6 mm	Order No.
Top and bottom sides (A & B), electropolished stainless steel 1.4404	1256430000
Left and right sides (C & D), electropolished stainless steel 1.4404	1256440000
Mounting screw, stainless steel 1.4404	1253230000

Rain hoods	Order No.
Stainless steel 1.4301, mirror-polished	1281430000
Stainless steel 1.4404, electro-polished	1314170000

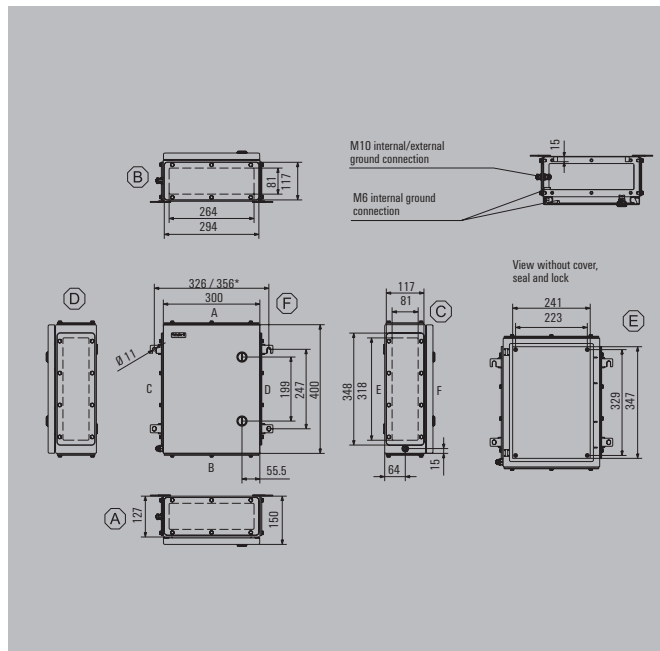
Label holder	Order No.
70 x 70 angled stainless steel 1.4301	1279320000
130x50 stainless steel 1.4301	1283450000
100x25 stainless steel 1.4301	1257640000

Document holder	Order No.
For DIN A6 size documents	1252780000

Set of fixings*	Order No.
For label holders, rain hoods and document holders (rivet)	1252190000
For plastic (Trafolyte), identification plate (screw)	1285200000

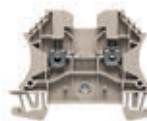
Earthing stud	Order No.
Stainless steel 1.4404, M10	1192690000

**Note** \* packing unit (PU) = 20 pcs., sufficient for 10 fixtures



**Max. number of terminals (industry)**

Max. number of terminals (industry)	vertical	horizontal
2.5 mm <sup>2</sup>	2x62	3x42
4 mm <sup>2</sup>	2x52	3x35
6 mm <sup>2</sup>	1x39	2x26
10 mm <sup>2</sup>	1x32	2x21
16 mm <sup>2</sup>	1x26	2x18
35 mm <sup>2</sup>	1x20	1x13



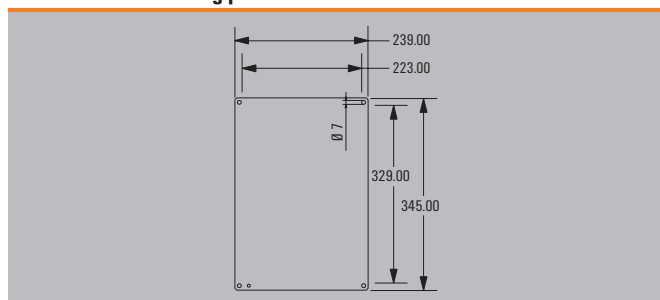
**Note** \*For enclosure versions with zero, one or two gland plates, the horizontal gap between the mounting feet is reduced by 30 mm. Assembly with terminal blocks provides for 10 mm clearance to the ends of the mounting rail. Recommended order: TS 35 mounting rail (screw terminal) WDU 2.5 1020000000 / (tension clamp terminal) ZDU 2.5 1608510000 / (tension clamp terminal) PDU 2.5 1896110000 TS 32 mounting rail (screw terminal) SAK 2.5 0279660000 TS 15 mounting rail (screw terminal) AKZ 2.5 0697160000

**Number of cable entries**

Number of cable entries	A / B	C / D
M12	23	29
M16	13	16
M20	11	13
M25	5	6
M32	4	5
M40	3	4
M50	3	3
M63	0	0
M75	0	0

**Note** Our IP 68 brass cable glands serve as a reference for these recommended values.

**Dimensions of mounting plate**





Height / Width / Depth 400 / 300 / 200 mm

**Ordering data**

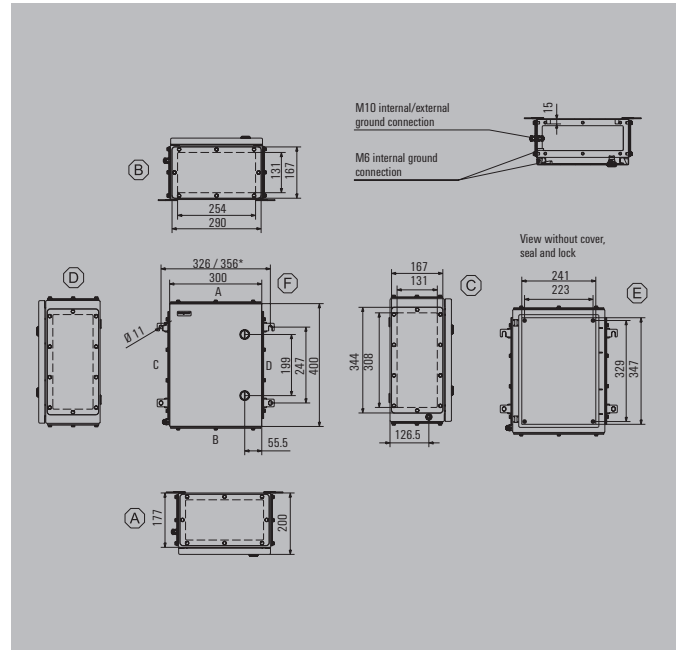
Stainless steel 1.4404 316L, electropolished		Order No.
1 gland plate - down		1200280000
2 gland plates - positioned at top and bottom (A & B)		1200290000
3 gland plates - positioned at bottom, left and right (B, C & D)		1200310000
4 gland plates - positioned at top, bottom, left and right (A, B, C & D)		1200320000

**Note**

**Accessories**

Mounting plates and fastening screws	Order No.
Steel sheet, zinc plated	1193980000
With hole pattern, sheet steel, galvanised	2022420000
Stainless steel 1.4301	1193850000
With hole pattern, natural stainless steel 1.4301	1257690000
Fastening screws for mounting plates	0642600000
Fastening screws for terminal rails	1274150000
Stainless steel spacer M6 x 8, Set of 4	
10 mm length	0935110000
15 mm length	0935120000
20 mm length	0935130000
30 mm length	0935140000
Gland plates - 3 mm with M6 earth studs	
Top and bottom sides (A & B), electropolished stainless steel 1.4404	2023450000
Left and right sides (C & D), electropolished stainless steel 1.4404	2023480000
Gland plates and screws - 6 mm	
Top and bottom sides (A & B), electropolished stainless steel 1.4404	1256450000
Left and right sides (C & D), electropolished stainless steel 1.4404	1256470000
Mounting screw, stainless steel 1.4404	1253230000
Rain hoods	
Stainless steel 1.4301, mirror-polished	1281440000
Stainless steel 1.4404, electro-polished	1314180000
Label holder	
70 x 70 angled stainless steel 1.4301	1279320000
130x50 stainless steel 1.4301	1283450000
100x25 stainless steel 1.4301	1257640000
Document holder	
For DIN A6 size documents	1252780000
Set of fixings*	
For label holders, rain hoods and document holders (rivet)	1252190000
For plastic (Trafolyte), identification plate (screw)	1285200000
Earthing stud	
Stainless steel 1.4404, M10	1192690000

**Note** \* packing unit (PU) = 20 pcs., sufficient for 10 fixtures



**Max. number of terminals (industry)**

Max. number of terminals (industry)	vertical	horizontal
2.5 mm <sup>2</sup>	2x62	3x42
4 mm <sup>2</sup>	2x52	3x35
6 mm <sup>2</sup>	1x39	2x26
10 mm <sup>2</sup>	1x32	2x21
16 mm <sup>2</sup>	1x26	2x18
35 mm <sup>2</sup>	1x20	1x13

**Note**

\*For enclosure versions with zero, one or two gland plates, the horizontal gap between the mounting feet is reduced by 30 mm. Assembly with terminal blocks provides for 10 mm clearance to the ends of the mounting rail. Recommended order: TS 35 mounting rail (screw terminal) WDU 2.5 1020000000 / (tension clamp terminal) ZDU 2.5 1608510000 / (tension clamp terminal) PDU 2.5 1896110000 TS 32 mounting rail (screw terminal) SAK 2.5 0279660000 TS 15 mounting rail (screw terminal) AKZ 2.5 0697160000

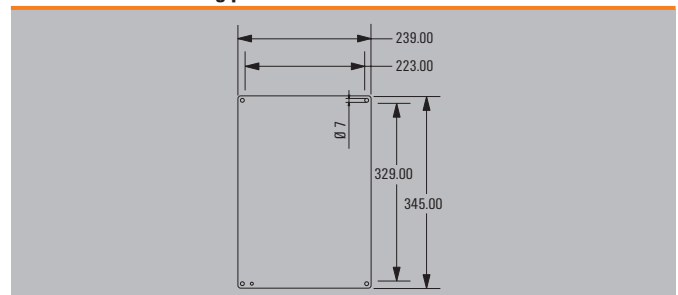
**Number of cable entries**

Number of cable entries	A / B	C / D
M12	38	48
M16	26	32
M20	17	20
M25	14	17
M32	7	9
M40	6	7
M50	3	3
M63	2	3
M75	2	2

**Note**

Our IP 68 brass cable glands are used as the reference for these guideline values.

**Dimensions of mounting plate**





Height / Width / Depth 458 / 382 / 150 mm

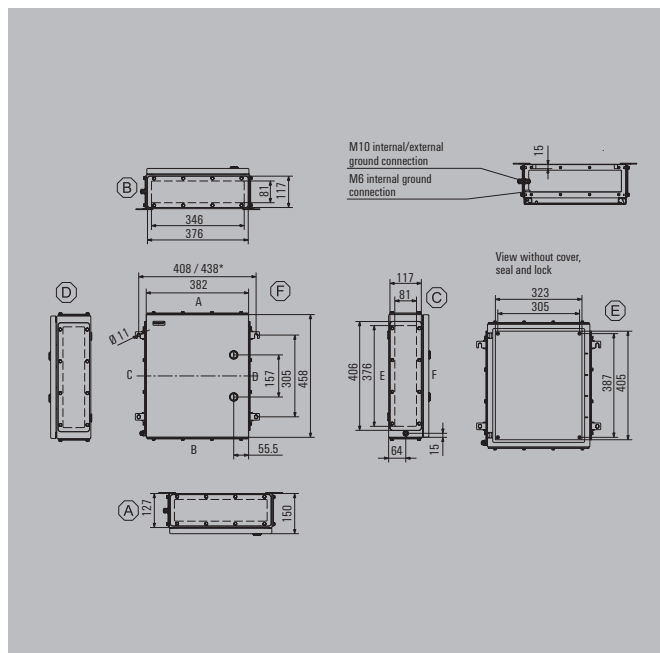
**Ordering data**

Stainless steel 1.4404 316L, electropolished	Order No.
1 gland plate - down	1200340000
2 gland plates - positioned at top and bottom (A & B)	1200350000
3 gland plates - positioned at bottom, left and right (B, C & D)	1200360000
4 gland plates - positioned at top, bottom, left and right (A, B, C & D)	1200370000

**Note**

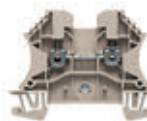
**Accessories**

Mounting plates and fastening screws	Order No.
Steel sheet, zinc plated	1193990000
With hole pattern, sheet steel, galvanised	2022590000
Stainless steel 1.4301	1193860000
With hole pattern, natural stainless steel 1.4301	1257700000
Fastening screws for mounting plates	0642600000
Fastening screws for terminal rails	1274150000
<b>Stainless steel spacer M6 x 8, Set of 4</b>	
10 mm length	0935110000
15 mm length	0935120000
20 mm length	0935130000
30 mm length	0935140000
<b>Gland plates - 3 mm with M6 earth studs</b>	
Top and bottom sides (A & B), electropolished stainless steel 1.4404	2023490000
Left and right sides (C & D), electropolished stainless steel 1.4404	2023500000
<b>Gland plates and screws - 6 mm</b>	
Top and bottom sides (A & B), electropolished stainless steel 1.4404	1256480000
Left and right sides (C & D), electropolished stainless steel 1.4404	1256490000
Mounting screw, stainless steel 1.4404	1253230000
<b>Rain hoods</b>	
Stainless steel 1.4301, mirror-polished	1281450000
Stainless steel 1.4404, electro-polished	1314190000
<b>Label holder</b>	
70 x 70 angled stainless steel 1.4301	1279320000
130x50 stainless steel 1.4301	1283450000
100x25 stainless steel 1.4301	1257640000
<b>Document holder</b>	
For DIN A6 size documents	1252780000
For DIN A5 size documents	1252750000
For DIN A4 size documents	1252730000
<b>Set of fixings*</b>	
For label holders, rain hoods and document holders (rivet)	1252190000
For plastic (Trafolyte), identification plate (screw)	1285200000
<b>Earthing stud</b>	
Stainless steel 1.4404, M10	1192690000
<b>Note</b>	* packing unit (PU) = 20 pcs., sufficient for 10 fixtures



**Max. number of terminals (industry)**

Max. number of terminals (industry)	vertical	horizontal
2.5 mm <sup>2</sup>	3x73	4x58
4 mm <sup>2</sup>	2x62	3x48
6 mm <sup>2</sup>	2x46	3x36
10 mm <sup>2</sup>	2x37	2x29
16 mm <sup>2</sup>	2x31	2x24
35 mm <sup>2</sup>	1x23	1x18



**Note**

\*For enclosure versions with zero, one or two gland plates, the horizontal gap between the mounting feet is reduced by 30 mm. Assembly with terminal blocks provides for 10 mm clearance to the ends of the mounting rail. Recommended order: TS 35 mounting rail (screw terminal) WDU 2.5 1020000000 / (tension clamp terminal) ZDU 2.5 1608510000 / (tension clamp terminal) PDU 2.5 1896110000 TS 32 mounting rail (screw terminal) SAK 2.5 0279660000 TS 15 mounting rail (screw terminal) AKZ 2.5 0697160000

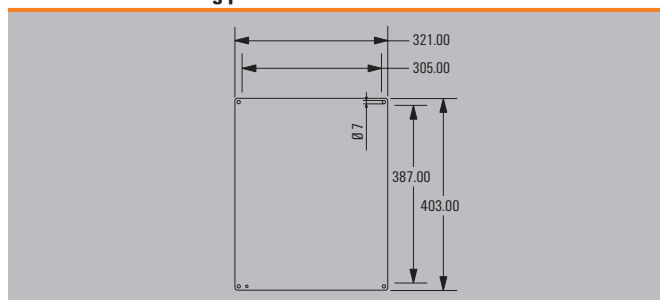
**Number of cable entries**

Number of cable entries	A / B	C / D
M12	30	33
M16	17	19
M20	15	16
M25	6	7
M32	5	6
M40	4	5
M50	4	4
M63	0	0
M75	0	0

**Note**

Our IP 68 brass cable glands serve as a reference for these recommended values.

**Dimensions of mounting plate**





Height / Width / Depth 458 / 382 / 200 mm

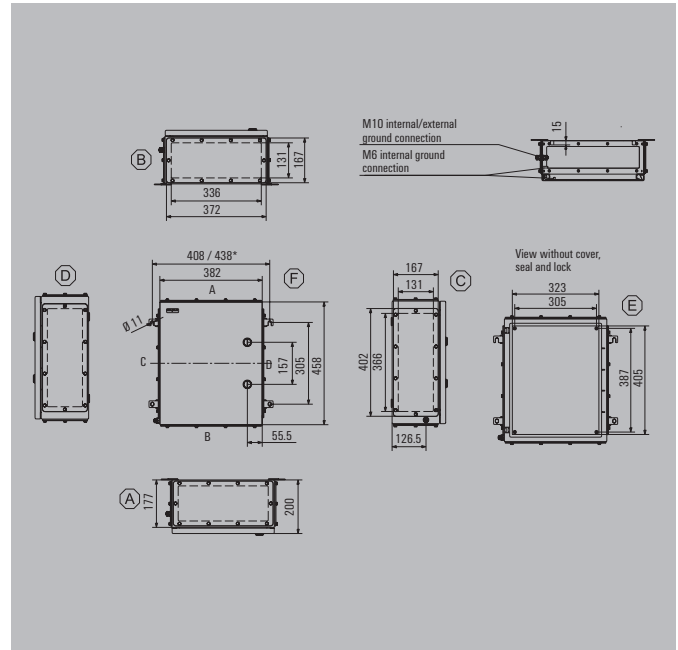
**Ordering data**

Stainless steel 1.4404 316L, electropolished	Order No.
1 gland plate - down	1200390000
2 gland plates - positioned at top and bottom (A & B)	1200410000
3 gland plates - positioned at bottom, left and right (B, C & D)	1200420000
4 gland plates - positioned at top, bottom, left and right (A, B, C & D)	1200430000

**Note**

**Accessories**

Mounting plates and fastening screws	Order No.
Steel sheet, zinc plated	1193990000
With hole pattern, sheet steel, galvanised	2022590000
Stainless steel 1.4301	1193860000
With hole pattern, natural stainless steel 1.4301	1257700000
Fastening screws for mounting plates	0642600000
Fastening screws for terminal rails	1274150000
<b>Stainless steel spacer M6 x 8, Set of 4</b>	
10 mm length	0935110000
15 mm length	0935120000
20 mm length	0935130000
30 mm length	0935140000
<b>Gland plates - 3 mm with M6 earth studs</b>	
Top and bottom sides (A & B), electropolished stainless steel 1.4404	2023510000
Left and right sides (C & D), electropolished stainless steel 1.4404	2023520000
<b>Gland plates and screws - 6 mm</b>	
Top and bottom sides (A & B), electropolished stainless steel 1.4404	1256510000
Left and right sides (C & D), electropolished stainless steel 1.4404	1256520000
Mounting screw, stainless steel 1.4404	1253230000
<b>Rain hoods</b>	
Stainless steel 1.4301, mirror-polished	1281460000
Stainless steel 1.4404, electro-polished	1314200000
<b>Label holder</b>	
70 x 70 angled stainless steel 1.4301	1279320000
130x50 stainless steel 1.4301	1283450000
100x25 stainless steel 1.4301	1257640000
<b>Document holder</b>	
For DIN A6 size documents	1252780000
For DIN A5 size documents	1252750000
For DIN A4 size documents	1252730000
<b>Set of fixings*</b>	
For label holders, rain hoods and document holders (rivet)	1252190000
For plastic (Trafolyte), identification plate (screw)	1285200000
<b>Earthing stud</b>	
Stainless steel 1.4404, M10	1192690000
<b>Note</b>	* packing unit (PU) = 20 pcs., sufficient for 10 fixtures



**Max. number of terminals (industry)**

Max. number of terminals (industry)	vertical	horizontal
2.5 mm <sup>2</sup>	3x73	4x58
4 mm <sup>2</sup>	2x62	3x48
6 mm <sup>2</sup>	2x46	3x36
10 mm <sup>2</sup>	2x37	2x29
16 mm <sup>2</sup>	2x31	2x24
35 mm <sup>2</sup>	1x23	1x18



**Note**

\*For enclosure versions with zero, one or two gland plates, the horizontal gap between the mounting feet is reduced by 30 mm. Assembly with terminal blocks provides for 10 mm clearance to the ends of the mounting rail. Recommended order: TS 35 mounting rail (screw terminal) WDU 2.5 1020000000 / (tension clamp terminal) ZDU 2.5 1608510000 / (tension clamp terminal) PDU 2.5 1896110000 TS 32 mounting rail (screw terminal) SAK 2.5 0279660000 TS 15 mounting rail (screw terminal) AKZ 2.5 0697160000

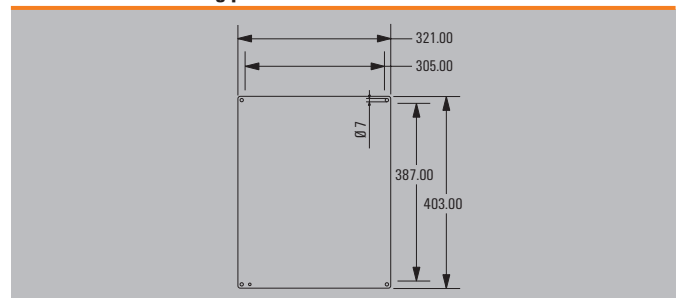
**Number of cable entries**

Number of cable entries	A / B	C / D
M12	50	55
M16	34	38
M20	23	24
M25	18	21
M32	10	11
M40	8	9
M50	4	4
M63	3	3
M75	2	3

**Note**

Our IP 68 brass cable glands are used as the reference for these guideline values.

**Dimensions of mounting plate**







Height / Width / Depth 480 / 480 / 150 mm

**Ordering data**

Stainless steel 1.4404 316L, electropolished		Order No.
1 gland plate - down		1200450000
2 gland plates - positioned at top and bottom (A & B)		1200460000
3 gland plates - positioned at bottom, left and right (B, C & D)		1200470000
4 gland plates - positioned at top, bottom, left and right (A, B, C & D)		1200480000

**Note**

**Accessories**

Mounting plates and fastening screws		Order No.
Steel sheet, zinc plated		1194000000
With hole pattern, sheet steel, galvanised		2022610000
Stainless steel 1.4301		1193870000
With hole pattern, natural stainless steel 1.4301		1257710000
Fastening screws for mounting plates		0642600000
Fastening screws for terminal rails		1274150000

Stainless steel spacer M6 x 8, Set of 4		Order No.
10 mm length		0935110000
15 mm length		0935120000
20 mm length		0935130000
30 mm length		0935140000

Gland plates - 3 mm with M6 earth studs		Order No.
Top and bottom sides (A & B), electropolished stainless steel 1.4404		2023530000
Left and right sides (C & D), electropolished stainless steel 1.4404		2023540000

Gland plates and screws - 6 mm		Order No.
Top and bottom sides (A & B), electropolished stainless steel 1.4404		1256530000
Left and right sides (C & D), electropolished stainless steel 1.4404		1256540000
Mounting screw, stainless steel 1.4404		1253230000

Rain hoods		Order No.
Stainless steel 1.4301, mirror-polished		1281470000
Stainless steel 1.4404, electro-polished		1314220000

Label holder		Order No.
70 x 70 angled stainless steel 1.4301		1279320000
130x50 stainless steel 1.4301		1283450000
100x25 stainless steel 1.4301		1257640000

Document holder		Order No.
For DIN A6 size documents		1252780000
For DIN A5 size documents		1252750000
For DIN A4 size documents		1252730000

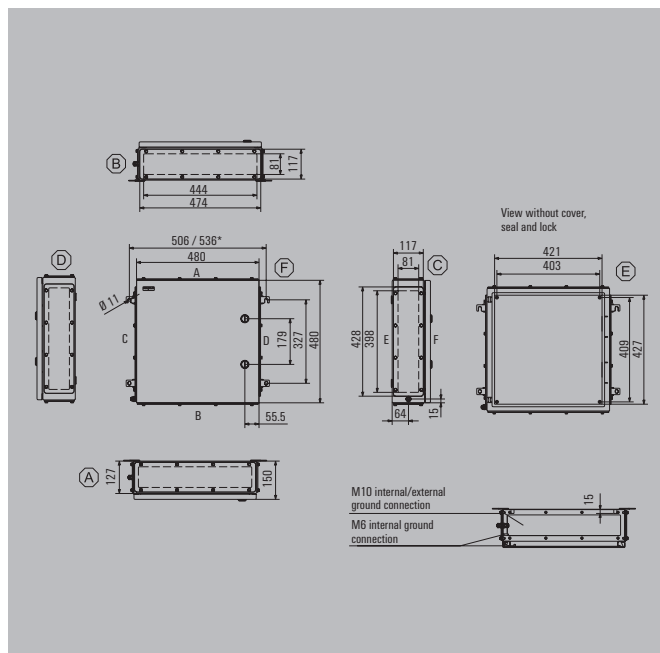
  

Set of fixings*		Order No.
For label holders, rain hoods and document holders (rivet)		1252190000
For plastic (Trafolyte), identification plate (screw)		1285200000

Earthing stud		Order No.
Stainless steel 1.4404, M10		1192690000

**Note** \* packing unit (PU) = 20 pcs., sufficient for 10 fixtures



**Max. number of terminals (industry)**

Max. number of terminals (industry)	vertical	horizontal
2.5 mm <sup>2</sup>	4x78	4x77
4 mm <sup>2</sup>	3x65	3x64
6 mm <sup>2</sup>	3x49	3x48
10 mm <sup>2</sup>	2x39	3x39
16 mm <sup>2</sup>	2x33	2x32
35 mm <sup>2</sup>	1x25	2x24

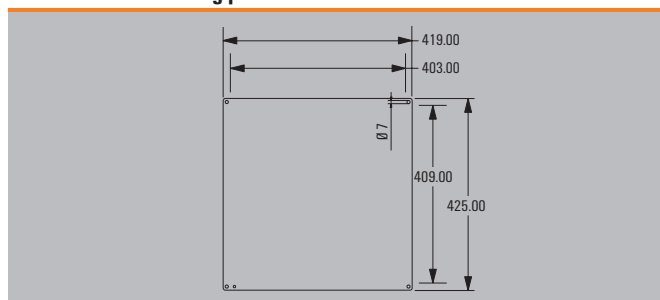
**Note** \*For enclosure versions with zero, one or two gland plates, the horizontal gap between the mounting feet is reduced by 30 mm. Assembly with terminal blocks provides for 10 mm clearance to the ends of the mounting rail. Recommended order: TS 35 mounting rail (screw terminal) WDU 2.5 1020000000 / (tension clamp terminal) ZDU 2.5 1608510000 / (tension clamp terminal) PDU 2.5 1896110000 TS 32 mounting rail (screw terminal) SAK 2.5 0279660000 TS 15 mounting rail (screw terminal) AKZ 2.5 0697160000

**Number of cable entries**

Number of cable entries	A / B	C / D
M12	39	36
M16	22	20
M20	19	17
M25	8	7
M32	7	6
M40	6	5
M50	5	4
M63	0	0
M75	0	0

**Note** Our IP 68 brass cable glands are used as the reference for these guideline values.

**Dimensions of mounting plate**







Height / Width / Depth 480 / 480 / 200 mm

**Ordering data**

Stainless steel 1.4404 316L, electropolished		Order No.
1 gland plate - down		1200510000
2 gland plates - positioned at top and bottom (A & B)		1200520000
3 gland plates - positioned at bottom, left and right (B, C & D)		1200530000
4 gland plates - positioned at top, bottom, left and right (A, B, C & D)		1200540000

**Note**

**Accessories**

Mounting plates and fastening screws		Order No.
Steel sheet, zinc plated		1194000000
With hole pattern, sheet steel, galvanised		2022610000
Stainless steel 1.4301		1193870000
With hole pattern, natural stainless steel 1.4301		1257710000
Fastening screws for mounting plates		0642600000
Fastening screws for terminal rails		1274150000

Stainless steel spacer M6 x 8, Set of 4		Order No.
10 mm length		0935110000
15 mm length		0935120000
20 mm length		0935130000
30 mm length		0935140000

Gland plates - 3 mm with M6 earth studs		Order No.
Top and bottom sides (A & B), electropolished stainless steel 1.4404		2023580000
Left and right sides (C & D), electropolished stainless steel 1.4404		2023620000

Gland plates and screws - 6 mm		Order No.
Top and bottom sides (A & B), electropolished stainless steel 1.4404		1256550000
Left and right sides (C & D), electropolished stainless steel 1.4404		1256560000
Mounting screw, stainless steel 1.4404		1253230000

Rain hoods		Order No.
Stainless steel 1.4301, mirror-polished		1281480000
Stainless steel 1.4404, electro-polished		1314230000

Label holder		Order No.
70 x 70 angled stainless steel 1.4301		1279320000
130x50 stainless steel 1.4301		1283450000
100x25 stainless steel 1.4301		1257640000

Document holder		Order No.
For DIN A6 size documents		1252780000
For DIN A5 size documents		1252750000
For DIN A4 size documents		1252730000

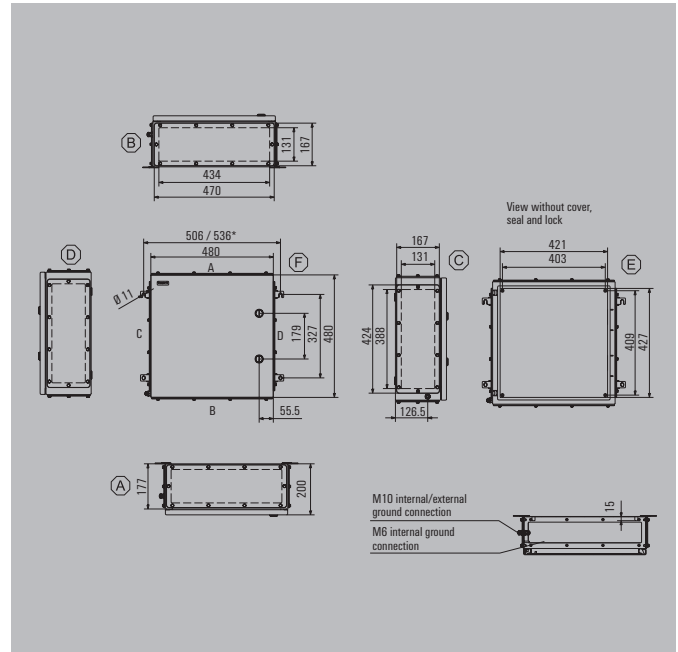
  

Set of fixings*		Order No.
For label holders, rain hoods and document holders (rivet)		1252190000
For plastic (Trafolyte), identification plate (screw)		1285200000

Earthing stud		Order No.
Stainless steel 1.4404, M10		1192690000

**Note** \* packing unit (PU) = 20 pcs., sufficient for 10 fixtures



**Max. number of terminals (industry)**

Max. number of terminals (industry)	vertical	horizontal
2.5 mm <sup>2</sup>	4x78	4x77
4 mm <sup>2</sup>	3x65	3x64
6 mm <sup>2</sup>	3x49	3x48
10 mm <sup>2</sup>	2x39	3x39
16 mm <sup>2</sup>	2x33	2x32
35 mm <sup>2</sup>	1x25	2x24

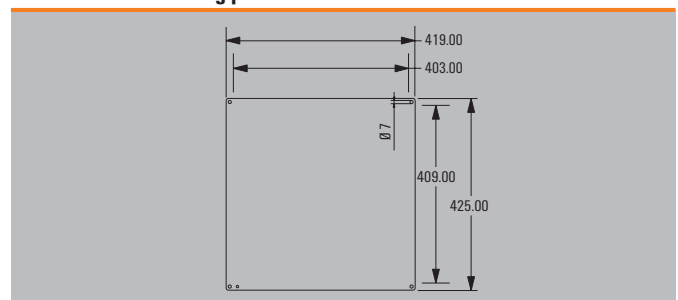
**Note** \*For enclosure versions with zero, one or two gland plates, the horizontal gap between the mounting feet is reduced by 30 mm. Assembly with terminal blocks provides for 10 mm clearance to the ends of the mounting rail. Recommended order: TS 35 mounting rail (screw terminal) WDU 2.5 1020000000 / (tension clamp terminal) ZDU 2.5 1608510000 / (tension clamp terminal) PDU 2.5 1896110000 TS 32 mounting rail (screw terminal) SAK 2.5 0279660000 TS 15 mounting rail (screw terminal) AKZ 2.5 0697160000

**Number of cable entries**

Number of cable entries	A / B	C / D
M12	65	60
M16	44	40
M20	29	26
M25	24	21
M32	13	12
M40	11	10
M50	5	4
M63	4	4
M75	3	3

**Note** Our IP 68 brass cable glands serve as a reference for these recommended values.

**Dimensions of mounting plate**





Height / Width / Depth 550 / 350 / 150 mm

**Ordering data**

Stainless steel 1.4404 316L, electropolished	Order No.
1 gland plate - down	1200560000
2 gland plates - positioned at top and bottom (A & B)	1200570000
3 gland plates - positioned at bottom, left and right (B, C & D)	1200580000
4 gland plates - positioned at top, bottom, left and right (A, B, C & D)	1200590000

**Note**

**Accessories**

Mounting plates and fastening screws	Order No.
Steel sheet, zinc plated	1194010000
With hole pattern, sheet steel, galvanised	2022650000
Stainless steel 1.4301	1193880000
With hole pattern, natural stainless steel 1.4301	1257720000
Fastening screws for mounting plates	0642600000
Fastening screws for terminal rails	1274150000

Stainless steel spacer M6 x 8, Set of 4	Order No.
10 mm length	0935110000
15 mm length	0935120000
20 mm length	0935130000
30 mm length	0935140000

Gland plates - 3 mm with M6 earth studs	Order No.
Top and bottom sides (A & B), electropolished stainless steel 1.4404	2023660000
Left and right sides (C & D), electropolished stainless steel 1.4404	2023670000

Gland plates and screws - 6 mm	Order No.
Top and bottom sides (A & B), electropolished stainless steel 1.4404	1256570000
Left and right sides (C & D), electropolished stainless steel 1.4404	1256580000
Mounting screw, stainless steel 1.4404	1253230000

Rain hoods	Order No.
Stainless steel 1.4301, mirror-polished	1281490000
Stainless steel 1.4404, electro-polished	1314240000

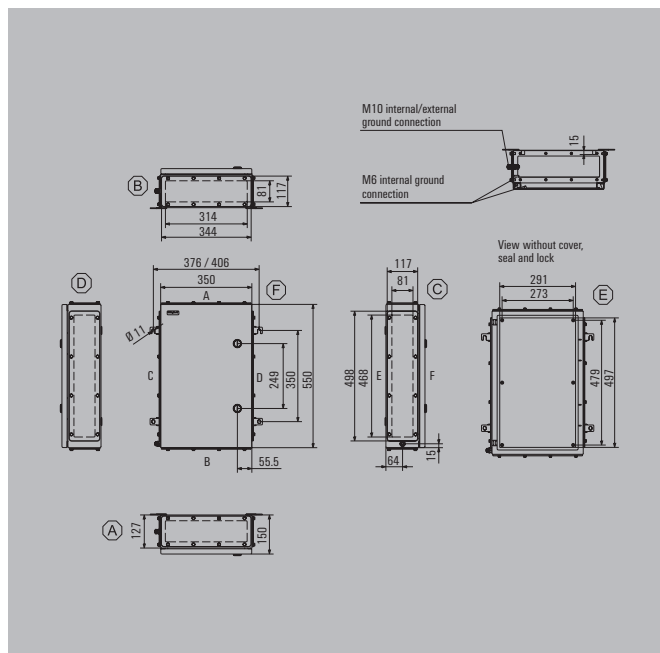
Label holder	Order No.
70 x 70 angled stainless steel 1.4301	1279320000
130x50 stainless steel 1.4301	1283450000
100x25 stainless steel 1.4301	1257640000

Document holder	Order No.
For DIN A6 size documents	1252780000
For DIN A5 size documents	1252750000

Set of fixings*	Order No.
For label holders, rain hoods and document holders (rivet)	1252190000
For plastic (Trafolyte), identification plate (screw)	1285200000

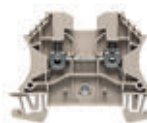
Earthing stud	Order No.
Stainless steel 1.4404, M10	1192690000

**Note** \* packing unit (PU) = 20 pcs., sufficient for 10 fixtures



**Max. number of terminals (industry)**

Max. number of terminals (industry)	vertical	horizontal
2.5 mm <sup>2</sup>	2x91	4x52
4 mm <sup>2</sup>	2x76	4x43
6 mm <sup>2</sup>	2x58	4x32
10 mm <sup>2</sup>	2x46	3x26
16 mm <sup>2</sup>	1x39	3x22
35 mm <sup>2</sup>	1x29	2x16



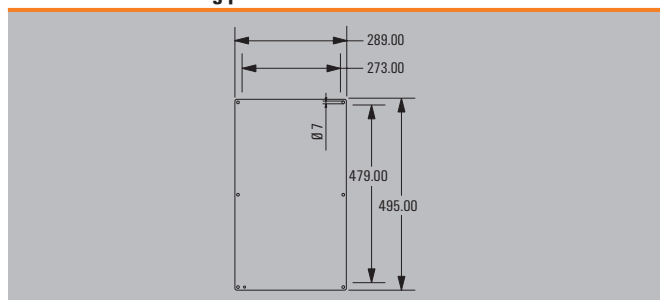
**Note** \*For enclosure versions with zero, one or two gland plates, the horizontal gap between the mounting feet is reduced by 30 mm. Assembly with terminal blocks provides for 10 mm clearance to the ends of the mounting rail. Recommended order: TS 35 mounting rail (screw terminal) WDU 2.5 1020000000 / (tension clamp terminal) ZDU 2.5 1608510000 / (tension clamp terminal) PDU 2.5 1896110000 TS 32 mounting rail (screw terminal) SAK 2.5 0279660000 TS 15 mounting rail (screw terminal) AKZ 2.5 0697160000

**Number of cable entries**

Number of cable entries	A / B	C / D
M12	27	42
M16	15	24
M20	13	20
M25	6	9
M32	5	7
M40	4	6
M50	3	5
M63	0	0
M75	0	0

**Note** Our IP 68 brass cable glands are used as the reference for these guideline values.

**Dimensions of mounting plate**



Klippon® TB QL 553520

Depth 200 mm



Height / Width / Depth 550 / 350 / 200 mm

**Ordering data**

Stainless steel 1.4404 316L, electropolished	Order No.
1 gland plate - down	1200620000
2 gland plates - positioned at top and bottom (A & B)	1200630000
3 gland plates - positioned at bottom, left and right (B, C & D)	1200640000
4 gland plates - positioned at top, bottom, left and right (A, B, C & D)	1200650000

**Note**

**Accessories**

Mounting plates and fastening screws	Order No.
Steel sheet, zinc plated	1194010000
With hole pattern, sheet steel, galvanised	2022650000
Stainless steel 1.4301	1193880000
With hole pattern, natural stainless steel 1.4301	1257720000
Fastening screws for mounting plates	0642600000
Fastening screws for terminal rails	1274150000

Stainless steel spacer M6 x 8, Set of 4	Order No.
10 mm length	0935110000
15 mm length	0935120000
20 mm length	0935130000
30 mm length	0935140000

Gland plates - 3 mm with M6 earth studs	Order No.
Top and bottom sides (A & B), electropolished stainless steel 1.4404	2023740000
Left and right sides (C & D), electropolished stainless steel 1.4404	2023790000

Gland plates and screws - 6 mm	Order No.
Top and bottom sides (A & B), electropolished stainless steel 1.4404	1256590000
Left and right sides (C & D), electropolished stainless steel 1.4404	1256610000
Mounting screw, stainless steel 1.4404	1253230000

Rain hoods	Order No.
Stainless steel 1.4301, mirror-polished	1281500000
Stainless steel 1.4404, electro-polished	1314250000

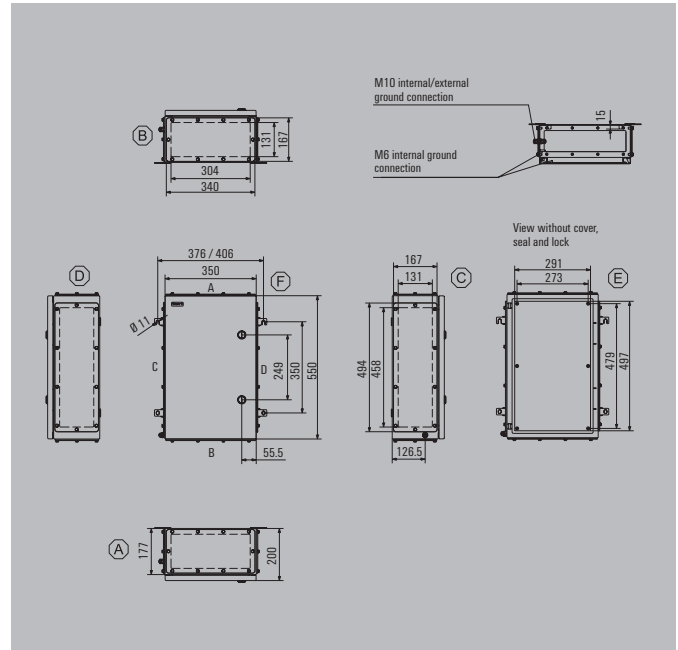
Label holder	Order No.
70 x 70 angled stainless steel 1.4301	1279320000
130x50 stainless steel 1.4301	1283450000
100x25 stainless steel 1.4301	1257640000

Document holder	Order No.
For DIN A6 size documents	1252780000
For DIN A5 size documents	1252750000

Set of fixings*	Order No.
For label holders, rain hoods and document holders (rivet)	1252190000
For plastic (Trafolyte), identification plate (screw)	1285200000

Earthing stud	Order No.
Stainless steel 1.4404, M10	1192690000

**Note** \* packing unit (PU) = 20 pcs., sufficient for 10 fixtures



**Max. number of terminals (industry)**

Max. number of terminals (industry)	vertical	horizontal
2.5 mm <sup>2</sup>	2x91	4x52
4 mm <sup>2</sup>	2x76	4x43
6 mm <sup>2</sup>	2x58	4x32
10 mm <sup>2</sup>	2x46	3x26
16 mm <sup>2</sup>	1x39	3x22
35 mm <sup>2</sup>	1x29	2x16

**Note**

\*For enclosure versions with zero, one or two gland plates, the horizontal gap between the mounting feet is reduced by 30 mm. Assembly with terminal blocks provides for 10 mm clearance to the ends of the mounting rail. Recommended order: TS 35 mounting rail (screw terminal) WDU 2.5 1020000000 / (tension clamp terminal) ZDU 2.5 1608510000 / (tension clamp terminal) PDU 2.5 1896110000 TS 32 mounting rail (screw terminal) SAK 2.5 0279660000 TS 15 mounting rail (screw terminal) AKZ 2.5 0697160000

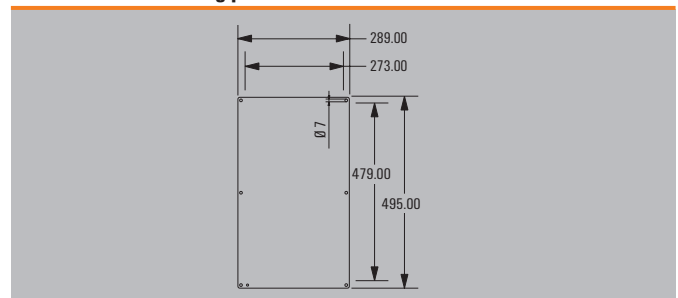
**Number of cable entries**

Number of cable entries	A / B	C / D
M12	45	70
M16	30	48
M20	20	30
M25	17	26
M32	9	14
M40	7	12
M50	3	5
M63	3	4
M75	2	3

**Note**

Our IP 68 brass cable glands serve as a reference for these recommended values.

**Dimensions of mounting plate**





Height / Width / Depth 620 / 450 / 150 mm

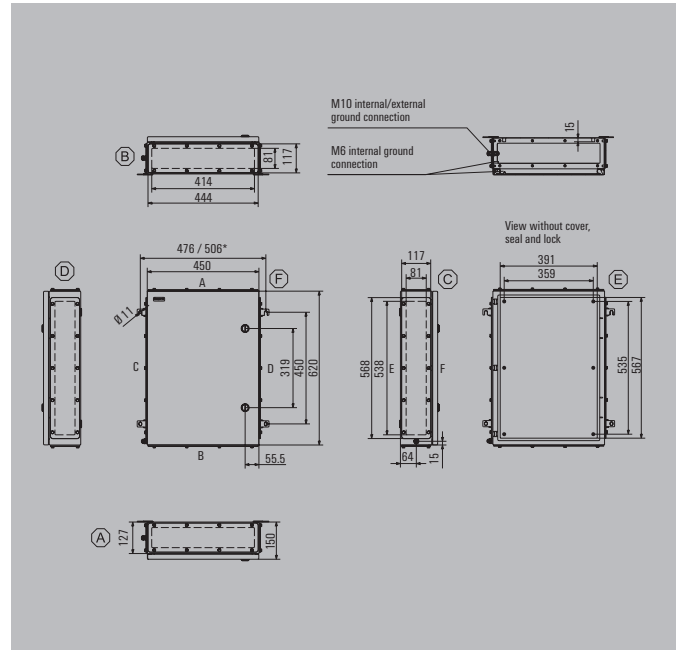
**Ordering data**

Stainless steel 1.4404 316L, electropolished		Order No.
1 gland plate - down		1200670000
2 gland plates - positioned at top and bottom (A & B)		1200680000
3 gland plates - positioned at bottom, left and right (B, C & D)		1200690000
4 gland plates - positioned at top, bottom, left and right (A, B, C & D)		1200710000

**Note**

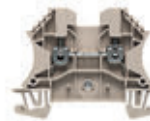
**Accessories**

Mounting plates and fastening screws	Order No.
Steel sheet, zinc plated	1194020000
With hole pattern, sheet steel, galvanised	2022670000
Stainless steel 1.4301	1193890000
With hole pattern, natural stainless steel 1.4301	1257740000
Fastening screws for mounting plates	0642600000
Fastening screws for terminal rails	1274150000
<b>Stainless steel spacer M6 x 8, Set of 4</b>	
10 mm length	0935110000
15 mm length	0935120000
20 mm length	0935130000
30 mm length	0935140000
<b>Gland plates - 3 mm with M6 earth studs</b>	
Top and bottom sides (A & B), electropolished stainless steel 1.4404	2023820000
Left and right sides (C & D), electropolished stainless steel 1.4404	2023870000
<b>Gland plates and screws - 6 mm</b>	
Top and bottom sides (A & B), electropolished stainless steel 1.4404	1256620000
Left and right sides (C & D), electropolished stainless steel 1.4404	1256630000
Mounting screw, stainless steel 1.4404	1253230000
<b>Rain hoods</b>	
Stainless steel 1.4301, mirror-polished	1281510000
Stainless steel 1.4404, electro-polished	1314270000
<b>Label holder</b>	
70 x 70 angled stainless steel 1.4301	1279320000
130x50 stainless steel 1.4301	1283450000
100x25 stainless steel 1.4301	1257640000
<b>Document holder</b>	
For DIN A6 size documents	1252780000
For DIN A5 size documents	1252750000
For DIN A4 size documents	1252730000
<b>Set of fixings*</b>	
For label holders, rain hoods and document holders (rivet)	1252190000
For plastic (Trafolyte), identification plate (screw)	1285200000
<b>Earthing stud</b>	
Stainless steel 1.4404, M10	1192690000
<b>Note</b>	* packing unit (PU) = 20 pcs., sufficient for 10 fixtures



**Max. number of terminals (industry)**

Max. number of terminals (industry)	vertical	horizontal
2.5 mm <sup>2</sup>	3x105	5x71
4 mm <sup>2</sup>	3x88	5x59
6 mm <sup>2</sup>	3x66	4x45
10 mm <sup>2</sup>	2x53	4x36
16 mm <sup>2</sup>	2x44	3x30
35 mm <sup>2</sup>	1x33	2x22



**Note**

\*For enclosure versions with zero, one or two gland plates, the horizontal gap between the mounting feet is reduced by 30 mm. Assembly with terminal blocks provides for 10 mm clearance to the ends of the mounting rail. Recommended order: TS 35 mounting rail (screw terminal) WDU 2.5 1020000000 / (tension clamp terminal) ZDU 2.5 1608510000 / (tension clamp terminal) PDU 2.5 1896110000 TS 32 mounting rail (screw terminal) SAK 2.5 0279660000 TS 15 mounting rail (screw terminal) AKZ 2.5 0697160000

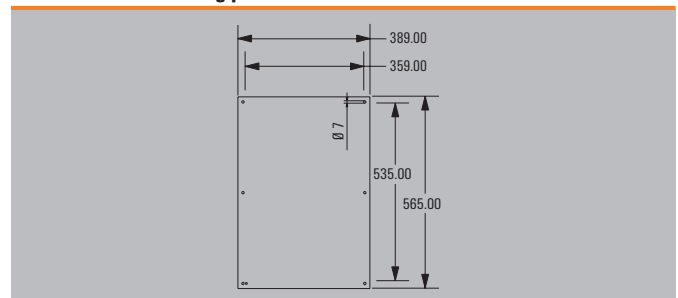
**Number of cable entries**

Number of cable entries	A / B	C / D
M12	38	48
M16	21	27
M20	18	24
M25	8	10
M32	6	9
M40	5	7
M50	4	6
M63	0	0
M75	0	0

**Note**

Our IP 68 brass cable glands are used as the reference for these guideline values.

**Dimensions of mounting plate**





Height / Width / Depth 620 / 450 / 200 mm

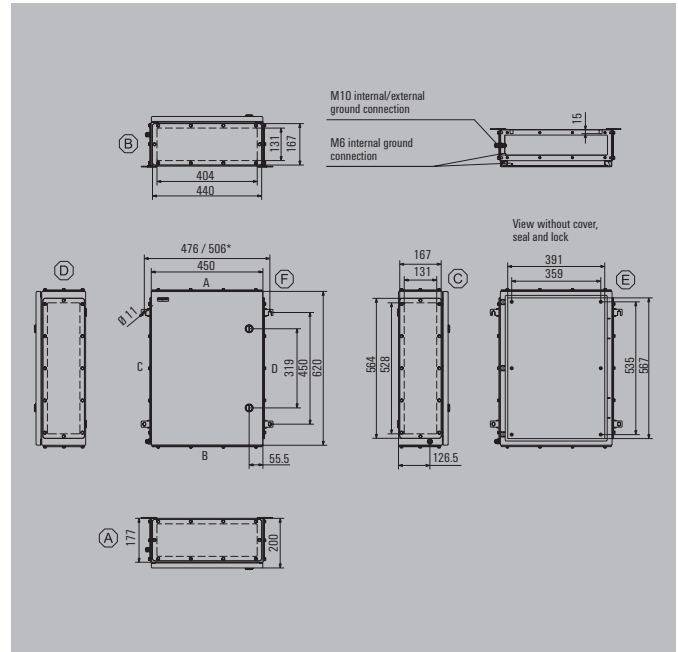
**Ordering data**

Stainless steel 1.4404 316L, electropolished	Order No.
1 gland plate - down	1200730000
2 gland plates - positioned at top and bottom (A & B)	1200740000
3 gland plates - positioned at bottom, left and right (B, C & D)	1200750000
4 gland plates - positioned at top, bottom, left and right (A, B, C & D)	1200760000

**Note**

**Accessories**

Mounting plates and fastening screws	Order No.
Steel sheet, zinc plated	1194020000
With hole pattern, sheet steel, galvanised	2022670000
Stainless steel 1.4301	1193890000
With hole pattern, natural stainless steel 1.4301	1257740000
Fastening screws for mounting plates	0642600000
Fastening screws for terminal rails	1274150000
<b>Stainless steel spacer M6 x 8, Set of 4</b>	
10 mm length	0935110000
15 mm length	0935120000
20 mm length	0935130000
30 mm length	0935140000
<b>Gland plates - 3 mm with M6 earth studs</b>	
Top and bottom sides (A & B), electropolished stainless steel 1.4404	2023880000
Left and right sides (C & D), electropolished stainless steel 1.4404	2023930000
<b>Gland plates and screws - 6 mm</b>	
Top and bottom sides (A & B), electropolished stainless steel 1.4404	1256640000
Left and right sides (C & D), electropolished stainless steel 1.4404	1256650000
Mounting screw, stainless steel 1.4404	1253230000
<b>Rain hoods</b>	
Stainless steel 1.4301, mirror-polished	1281520000
Stainless steel 1.4404, electro-polished	1314280000
<b>Label holder</b>	
70 x 70 angled stainless steel 1.4301	1279320000
130x50 stainless steel 1.4301	1283450000
100x25 stainless steel 1.4301	1257640000
<b>Document holder</b>	
For DIN A6 size documents	1252780000
For DIN A5 size documents	1252750000
For DIN A4 size documents	1252730000
<b>Set of fixings*</b>	
For label holders, rain hoods and document holders (rivet)	1252190000
For plastic (Trafolyte), identification plate (screw)	1285200000
<b>Earthing stud</b>	
Stainless steel 1.4404, M10	1192690000
<b>Note</b>	* packing unit (PU) = 20 pcs., sufficient for 10 fixtures



**Max. number of terminals (industry)**

Max. number of terminals (industry)	vertical	horizontal
2.5 mm <sup>2</sup>	3x105	5x71
4 mm <sup>2</sup>	3x88	5x59
6 mm <sup>2</sup>	3x66	4x45
10 mm <sup>2</sup>	2x53	4x36
16 mm <sup>2</sup>	2x44	3x30
35 mm <sup>2</sup>	1x33	2x22

**Note**

\*For enclosure versions with zero, one or two gland plates, the horizontal gap between the mounting feet is reduced by 30 mm. Assembly with terminal blocks provides for 10 mm clearance to the ends of the mounting rail. Recommended order: TS 35 mounting rail (screw terminal) WDU 2.5 1020000000 / (tension clamp terminal) ZDU 2.5 1608510000 / (tension clamp terminal) PDU 2.5 1896110000 TS 32 mounting rail (screw terminal) SAK 2.5 0279660000 TS 15 mounting rail (screw terminal) AKZ 2.5 0697160000

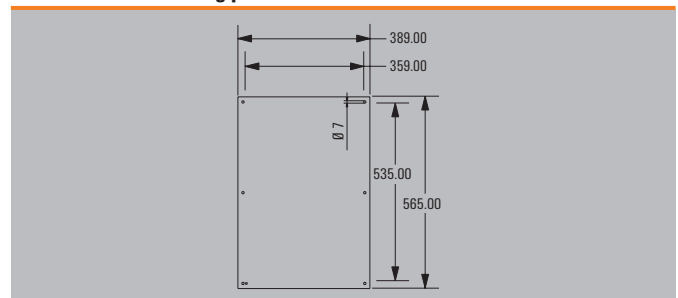
**Number of cable entries**

Number of cable entries	A / B	C / D
M12	63	80
M16	42	54
M20	27	36
M25	23	30
M32	12	17
M40	10	14
M50	4	6
M63	4	5
M75	3	4

**Note**

Our IP 68 brass cable glands serve as a reference for these recommended values.

**Dimensions of mounting plate**





Height / Width / Depth 762 / 508 / 150 mm

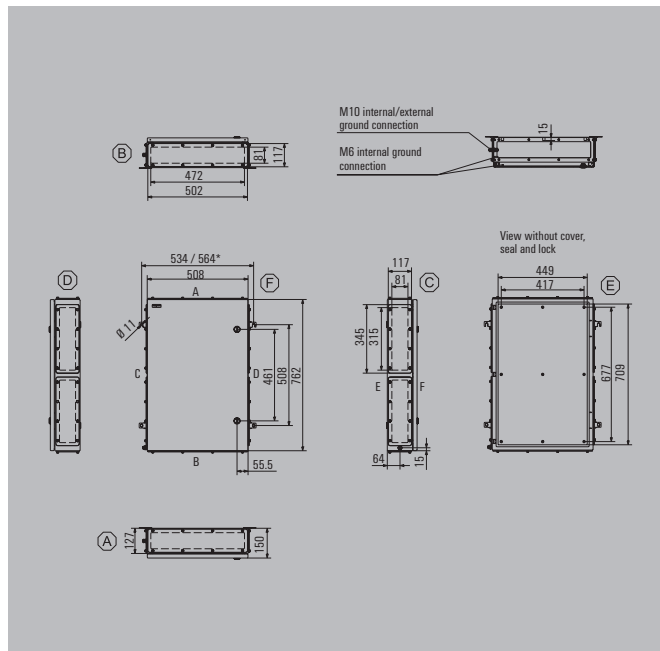
**Ordering data**

Stainless steel 1.4404 316L, electropolished	Order No.
1 gland plate - down	1200780000
2 gland plates - positioned at top and bottom (A & B)	1200790000
3 gland plates - positioned at bottom, left and right (B, C & D)	1200810000
4 gland plates - positioned at top, bottom, left and right (A, B, C & D)	1200820000

**Note**

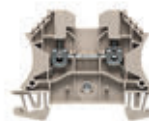
**Accessories**

Mounting plates and fastening screws	Order No.
Steel sheet, zinc plated	1194030000
With hole pattern, sheet steel, galvanised	2022680000
Stainless steel 1.4301	1193900000
With hole pattern, natural stainless steel 1.4301	1257750000
Fastening screws for mounting plates	0642600000
Fastening screws for terminal rails	1274150000
<b>Stainless steel spacer M6 x 8, Set of 4</b>	
10 mm length	0935110000
15 mm length	0935120000
20 mm length	0935130000
30 mm length	0935140000
<b>Gland plates - 3 mm with M6 earth studs</b>	
Top and bottom sides (A & B), electropolished stainless steel 1.4404	2024040000
Left and right sides (C & D), electropolished stainless steel 1.4404	2024090000
<b>Gland plates and screws - 6 mm</b>	
Top and bottom sides (A & B), electropolished stainless steel 1.4404	1256660000
Left and right sides (C & D), electropolished stainless steel 1.4404	1256670000
Mounting screw, stainless steel 1.4404	1253230000
<b>Rain hoods</b>	
Stainless steel 1.4301, mirror-polished	1281530000
Stainless steel 1.4404, electro-polished	1314290000
<b>Label holder</b>	
70 x 70 angled stainless steel 1.4301	1279320000
130x50 stainless steel 1.4301	1283450000
100x25 stainless steel 1.4301	1257640000
<b>Document holder</b>	
For DIN A6 size documents	1252780000
For DIN A5 size documents	1252750000
For DIN A4 size documents	1252730000
<b>Set of fixings*</b>	
For label holders, rain hoods and document holders (rivet)	1252190000
For plastic (Trafolyte), identification plate (screw)	1285200000
<b>Earthing stud</b>	
Stainless steel 1.4404, M10	1192690000
<b>Note</b>	* packing unit (PU) = 20 pcs., sufficient for 10 fixtures



**Max. number of terminals (industry)**

Max. number of terminals (industry)	vertical	horizontal
2.5 mm <sup>2</sup>	4x132	7x82
4 mm <sup>2</sup>	4x111	6x69
6 mm <sup>2</sup>	3x83	5x52
10 mm <sup>2</sup>	3x67	5x42
16 mm <sup>2</sup>	2x56	4x35
35 mm <sup>2</sup>	2x42	3x26



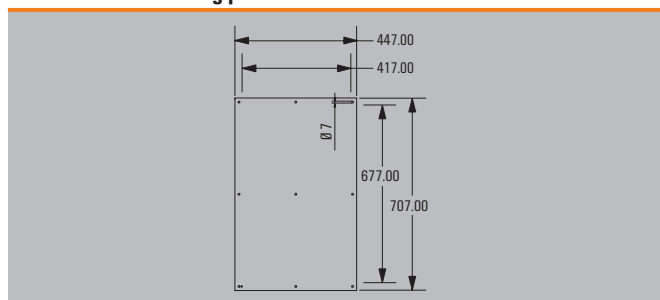
**Note** \*For enclosure versions with zero, one or two gland plates, the horizontal gap between the mounting feet is reduced by 30 mm. Assembly with terminal blocks provides for 10 mm clearance to the ends of the mounting rail. Recommended order: TS 35 mounting rail (screw terminal) WDU 2.5 1020000000 / (tension clamp terminal) ZDU 2.5 1608510000 / (tension clamp terminal) PDU 2.5 1896110000 TS 32 mounting rail (screw terminal) SAK 2.5 0279660000 TS 15 mounting rail (screw terminal) AKZ 2.5 0697160000

**Number of cable entries**

Number of cable entries	A / B	C / D
M12	42	58
M16	24	32
M20	21	26
M25	9	12
M32	7	10
M40	6	8
M50	5	6
M63	0	0
M75	0	0

**Note** Our IP 68 brass cable glands serve as a reference for these recommended values.

**Dimensions of mounting plate**





Height / Width / Depth 762 / 508 / 200 mm

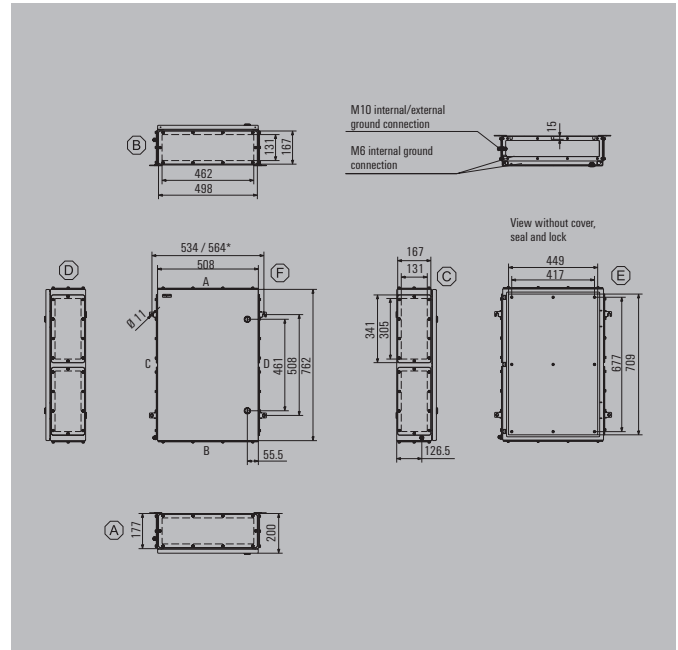
**Ordering data**

Stainless steel 1.4404 316L, electropolished	Order No.
1 gland plate - down	1200840000
2 gland plates - positioned at top and bottom (A & B)	1200850000
3 gland plates - positioned at bottom, left and right (B, C & D)	1200860000
4 gland plates - positioned at top, bottom, left and right (A, B, C & D)	1200870000

**Note**

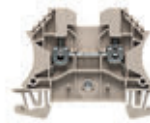
**Accessories**

Mounting plates and fastening screws	Order No.
Steel sheet, zinc plated	1194030000
With hole pattern, sheet steel, galvanised	2022680000
Stainless steel 1.4301	1193900000
With hole pattern, natural stainless steel 1.4301	1257750000
Fastening screws for mounting plates	0642600000
Fastening screws for terminal rails	1274150000
<b>Stainless steel spacer M6 x 8, Set of 4</b>	
10 mm length	0935110000
15 mm length	0935120000
20 mm length	0935130000
30 mm length	0935140000
<b>Gland plates - 3 mm with M6 earth studs</b>	
Top and bottom sides (A & B), electropolished stainless steel 1.4404	2024100000
Left and right sides (C & D), electropolished stainless steel 1.4404	2024140000
<b>Gland plates and screws - 6 mm</b>	
Top and bottom sides (A & B), electropolished stainless steel 1.4404	1256680000
Left and right sides (C & D), electropolished stainless steel 1.4404	1256690000
Mounting screw, stainless steel 1.4404	1253230000
<b>Rain hoods</b>	
Stainless steel 1.4301, mirror-polished	1281540000
Stainless steel 1.4404, electro-polished	1314300000
<b>Label holder</b>	
70 x 70 angled stainless steel 1.4301	1279320000
130x50 stainless steel 1.4301	1283450000
100x25 stainless steel 1.4301	1257640000
<b>Document holder</b>	
For DIN A6 size documents	1252780000
For DIN A5 size documents	1252750000
For DIN A4 size documents	1252730000
<b>Set of fixings*</b>	
For label holders, rain hoods and document holders (rivet)	1252190000
For plastic (Trafolyte), identification plate (screw)	1285200000
<b>Earthing stud</b>	
Stainless steel 1.4404, M10	1192690000
<b>Note</b>	* packing unit (PU) = 20 pcs., sufficient for 10 fixtures



**Max. number of terminals (industry)**

Max. number of terminals (industry)	vertical	horizontal
2.5 mm <sup>2</sup>	4x132	7x82
4 mm <sup>2</sup>	4x111	6x69
6 mm <sup>2</sup>	3x83	5x52
10 mm <sup>2</sup>	3x67	5x42
16 mm <sup>2</sup>	2x56	4x35
35 mm <sup>2</sup>	2x42	3x26



**Note**

\*For enclosure versions with zero, one or two gland plates, the horizontal gap between the mounting feet is reduced by 30 mm. Assembly with terminal blocks provides for 10 mm clearance to the ends of the mounting rail. Recommended order: TS 35 mounting rail (screw terminal) WDU 2.5 1020000000 / (tension clamp terminal) ZDU 2.5 1608510000 / (tension clamp terminal) PDU 2.5 1896110000 TS 32 mounting rail (screw terminal) SAK 2.5 0279660000 TS 15 mounting rail (screw terminal) AKZ 2.5 0697160000

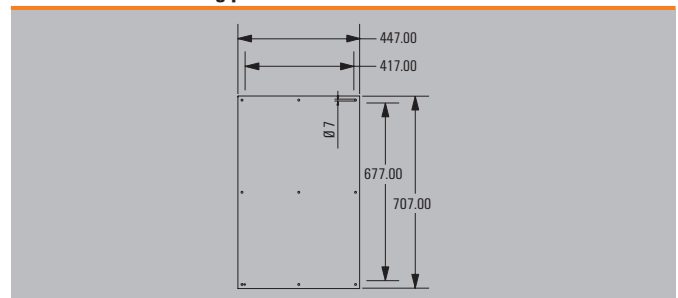
**Number of cable entries**

Number of cable entries	A / B	C / D
M12	70	96
M16	48	64
M20	32	40
M25	26	34
M32	14	18
M40	12	14
M50	5	6
M63	4	6
M75	3	4

**Note**

Our IP 68 brass cable glands are used as the reference for these guideline values.

**Dimensions of mounting plate**







Height / Width / Depth 914 / 610 / 150 mm

**Ordering data**

Stainless steel 1.4404 316L, electropolished		Order No.
1 gland plate - down		1200890000
2 gland plates - positioned at top and bottom (A & B)		1200910000
3 gland plates - positioned at bottom, left and right (B, C & D)		1200920000
4 gland plates - positioned at top, bottom, left and right (A, B, C & D)		1200930000

**Note**

**Accessories**

Mounting plates and fastening screws	Order No.
Steel sheet, zinc plated	1194040000
With hole pattern, sheet steel, galvanised	2022740000
Stainless steel 1.4301	1193910000
With hole pattern, natural stainless steel 1.4301	1257760000
Fastening screws for mounting plates	0642600000
Fastening screws for terminal rails	1274150000

Stainless steel spacer M6 x 8, Set of 4		Order No.
10 mm length		0935110000
15 mm length		0935120000
20 mm length		0935130000
30 mm length		0935140000

Gland plates - 3 mm with M6 earth studs		Order No.
Top and bottom sides (A & B), electropolished stainless steel 1.4404		2024150000
Left and right sides (C & D), electropolished stainless steel 1.4404		2024300000

Gland plates and screws - 6 mm		Order No.
Top and bottom sides (A & B), electropolished stainless steel 1.4404		1256710000
Left and right sides (C & D), electropolished stainless steel 1.4404		1256720000
Mounting screw, stainless steel 1.4404		1253230000

Rain hoods		Order No.
Stainless steel 1.4301, mirror-polished		1281550000
Stainless steel 1.4404, electro-polished		1314320000

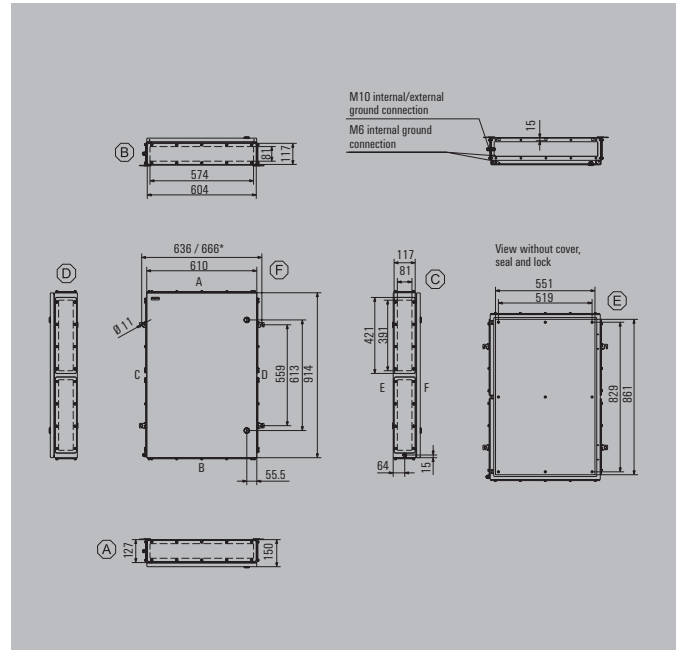
Label holder		Order No.
70 x 70 angled stainless steel 1.4301		1279320000
130x50 stainless steel 1.4301		1283450000
100x25 stainless steel 1.4301		1257640000

Document holder		Order No.
For DIN A6 size documents		1252780000
For DIN A5 size documents		1252750000
For DIN A4 size documents		1252730000

Set of fixings*		Order No.
For label holders, rain hoods and document holders (rivet)		1252190000
For plastic (Trafolyte), identification plate (screw)		1285200000

Earthing stud		Order No.
Stainless steel 1.4404, M10		1192690000

**Note** \* packing unit (PU) = 20 pcs., sufficient for 10 fixtures



**Max. number of terminals (industry)**

Max. number of terminals (industry)	vertical	horizontal
2.5 mm <sup>2</sup>	5x161	8x102
4 mm <sup>2</sup>	4x135	7x85
6 mm <sup>2</sup>	4x102	7x64
10 mm <sup>2</sup>	3x82	6x52
16 mm <sup>2</sup>	3x68	5x43
35 mm <sup>2</sup>	2x51	4x32

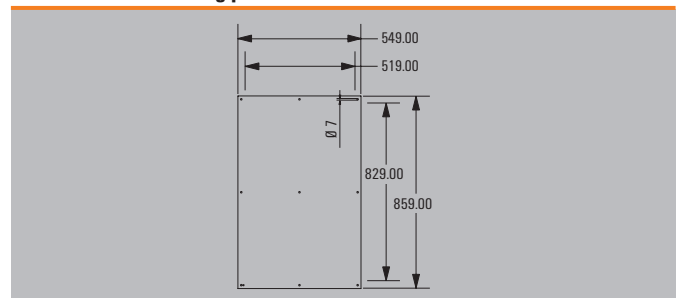
**Note** \*For enclosure versions with zero, one or two gland plates, the horizontal gap between the mounting feet is reduced by 30 mm. Assembly with terminal blocks provides for 10 mm clearance to the ends of the mounting rail. Recommended order: TS 35 mounting rail (screw terminal) WDU 2.5 1020000000 / (tension clamp terminal) ZDU 2.5 1608510000 / (tension clamp terminal) PDU 2.5 1896110000 TS 32 mounting rail (screw terminal) SAK 2.5 0279660000 TS 15 mounting rail (screw terminal) AKZ 2.5 0697160000

**Number of cable entries**

Number of cable entries	A / B	C / D
M12	53	70
M16	29	40
M20	25	34
M25	11	14
M32	9	12
M40	8	10
M50	6	8
M63	0	0
M75	0	0

**Note** Our IP 68 brass cable glands are used as the reference for these guideline values.

**Dimensions of mounting plate**





Height / Width / Depth 914 / 610 / 200 mm

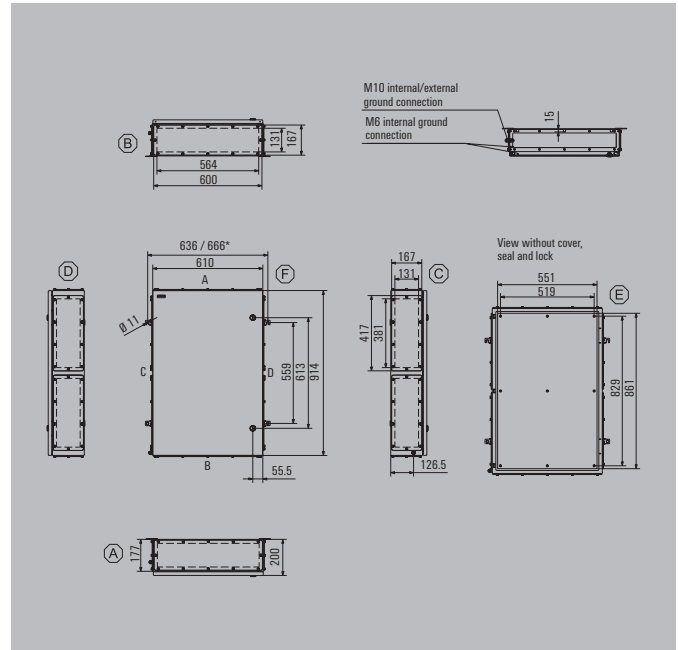
**Ordering data**

Stainless steel 1.4404 316L, electropolished	Order No.
1 gland plate - down	1200950000
2 gland plates - positioned at top and bottom (A & B)	1200960000
3 gland plates - positioned at bottom, left and right (B, C & D)	1200970000
4 gland plates - positioned at top, bottom, left and right (A, B, C & D)	1200980000

**Note**

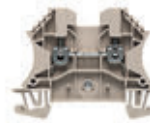
**Accessories**

Mounting plates and fastening screws	Order No.
Steel sheet, zinc plated	1194040000
With hole pattern, sheet steel, galvanised	2022740000
Stainless steel 1.4301	1193910000
With hole pattern, natural stainless steel 1.4301	1257760000
Fastening screws for mounting plates	0642600000
Fastening screws for terminal rails	1274150000
<b>Stainless steel spacer M6 x 8, Set of 4</b>	
10 mm length	0935110000
15 mm length	0935120000
20 mm length	0935130000
30 mm length	0935140000
<b>Gland plates - 3 mm with M6 earth studs</b>	
Top and bottom sides (A & B), electropolished stainless steel 1.4404	2024470000
Left and right sides (C & D), electropolished stainless steel 1.4404	2024490000
<b>Gland plates and screws - 6 mm</b>	
Top and bottom sides (A & B), electropolished stainless steel 1.4404	1256730000
Left and right sides (C & D), electropolished stainless steel 1.4404	1256740000
Mounting screw, stainless steel 1.4404	1253230000
<b>Rain hoods</b>	
Stainless steel 1.4301, mirror-polished	1281570000
Stainless steel 1.4404, electro-polished	1314330000
<b>Label holder</b>	
70 x 70 angled stainless steel 1.4301	1279320000
130x50 stainless steel 1.4301	1283450000
100x25 stainless steel 1.4301	1257640000
<b>Document holder</b>	
For DIN A6 size documents	1252780000
For DIN A5 size documents	1252750000
For DIN A4 size documents	1252730000
<b>Set of fixings*</b>	
For label holders, rain hoods and document holders (rivet)	1252190000
For plastic (Trafolyte), identification plate (screw)	1285200000
<b>Earthing stud</b>	
Stainless steel 1.4404, M10	1192690000
<b>Note</b>	* packing unit (PU) = 20 pcs., sufficient for 10 fixtures



**Max. number of terminals (industry)**

Max. number of terminals (industry)	vertical	horizontal
2.5 mm <sup>2</sup>	5x161	8x102
4 mm <sup>2</sup>	4x135	7x85
6 mm <sup>2</sup>	4x102	7x64
10 mm <sup>2</sup>	3x82	6x52
16 mm <sup>2</sup>	3x68	5x43
35 mm <sup>2</sup>	2x51	4x32



**Note**

\*For enclosure versions with zero, one or two gland plates, the horizontal gap between the mounting feet is reduced by 30 mm. Assembly with terminal blocks provides for 10 mm clearance to the ends of the mounting rail. Recommended order: TS 35 mounting rail (screw terminal) WDU 2.5 1020000000 / (tension clamp terminal) ZDU 2.5 1608510000 / (tension clamp terminal) PDU 2.5 1896110000 TS 32 mounting rail (screw terminal) SAK 2.5 0279660000 TS 15 mounting rail (screw terminal) AKZ 2.5 0697160000

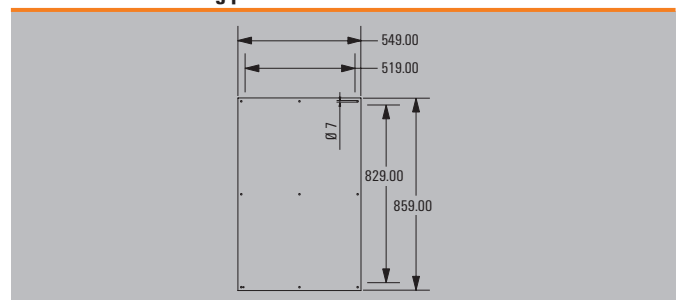
**Number of cable entries**

Number of cable entries	A / B	C / D
M12	88	116
M16	58	80
M20	38	52
M25	33	42
M32	18	24
M40	15	20
M50	6	8
M63	5	6
M75	4	6

**Note**

Our IP 68 brass cable glands serve as a reference for these recommended values.

**Dimensions of mounting plate**





Height / Width / Depth 980 / 740 / 200 mm

**Ordering data**

Stainless steel 1.4404 316L, electropolished		Order No.
1 gland plate - down		1201010000
2 gland plates - positioned at top and bottom (A & B)		1201020000
3 gland plates - positioned at bottom, left and right (B, C & D)		1201030000
4 gland plates - positioned at top, bottom, left and right (A, B, C & D)		1201040000

**Note**

**Accessories**

Mounting plates and fastening screws		Order No.
Steel sheet, zinc plated		1194050000
With hole pattern, sheet steel, galvanised		2022760000
Stainless steel 1.4301		1193920000
With hole pattern, natural stainless steel 1.4301		1257770000
Fastening screws for mounting plates		0642600000
Fastening screws for terminal rails		1274150000

Stainless steel spacer M6 x 8, Set of 4		Order No.
10 mm length		0935110000
15 mm length		0935120000
20 mm length		0935130000
30 mm length		0935140000

Gland plates - 3 mm with M6 earth studs		Order No.
Top and bottom sides (A & B), electropolished stainless steel 1.4404		2024560000
Left and right sides (C & D), electropolished stainless steel 1.4404		2024590000

Gland plates and screws - 6 mm		Order No.
Top and bottom sides (A & B), electropolished stainless steel 1.4404		1256750000
Left and right sides (C & D), electropolished stainless steel 1.4404		1256760000
Mounting screw, stainless steel 1.4404		1253230000

Rain hoods		Order No.
Stainless steel 1.4301, mirror-polished		1281580000
Stainless steel 1.4404, electro-polished		1314340000

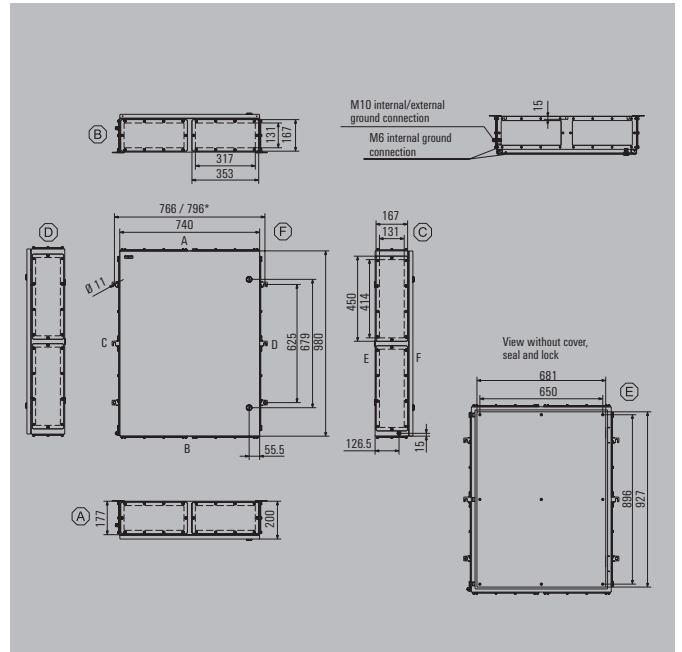
Label holder		Order No.
70 x 70 angled stainless steel 1.4301		1279320000
130x50 stainless steel 1.4301		1283450000
100x25 stainless steel 1.4301		1257640000

Document holder		Order No.
For DIN A6 size documents		1252780000
For DIN A5 size documents		1252750000
For DIN A4 size documents		1252730000

Set of fixings*		Order No.
For label holders, rain hoods and document holders (rivet)		1252190000
For plastic (Trafolyte), identification plate (screw)		1285200000

Earthing stud		Order No.
Stainless steel 1.4404, M10		1192690000

**Note** \* packing unit (PU) = 20 pcs., sufficient for 10 fixtures



**Max. number of terminals (industry)**

Max. number of terminals (industry)	vertical	horizontal
2.5 mm <sup>2</sup>	6x174	9x127
4 mm <sup>2</sup>	6x146	8x106
6 mm <sup>2</sup>	5x110	7x80
10 mm <sup>2</sup>	4x88	6x64
16 mm <sup>2</sup>	4x74	5x54
35 mm <sup>2</sup>	3x55	4x40

**Note** \*For enclosure versions with zero, one or two gland plates, the horizontal gap between the mounting feet is reduced by 30 mm. Assembly with terminal blocks provides for 10 mm clearance to the ends of the mounting rail. Recommended order: TS 35 mounting rail (screw terminal) WDU 2.5 1020000000 / (tension clamp terminal) ZDU 2.5 1608510000 / (tension clamp terminal) PDU 2.5 1896110000 TS 32 mounting rail (screw terminal) SAK 2.5 0279660000 TS 15 mounting rail (screw terminal) AKZ 2.5 0697160000

**Number of cable entries**

Number of cable entries	A / B	C / D
M12	96	126
M16	64	84
M20	42	54
M25	36	48
M32	20	26
M40	16	22
M50	6	10
M63	6	8
M75	4	6

**Note** Our IP 68 brass cable glands serve as a reference for these recommended values.

**Dimensions of mounting plate**

